



Chipsmall Limited consists of a professional team with an average of over 10 year of expertise in the distribution of electronic components. Based in Hongkong, we have already established firm and mutual-benefit business relationships with customers from,Europe,America and south Asia,supplying obsolete and hard-to-find components to meet their specific needs.

With the principle of “Quality Parts,Customers Priority,Honest Operation,and Considerate Service”,our business mainly focus on the distribution of electronic components. Line cards we deal with include Microchip,ALPS,ROHM,Xilinx,Pulse,ON,Everlight and Freescale. Main products comprise IC,Modules,Potentiometer,IC Socket,Relay,Connector.Our parts cover such applications as commercial,industrial, and automotives areas.

We are looking forward to setting up business relationship with you and hope to provide you with the best service and solution. Let us make a better world for our industry!



Contact us

Tel: +86-755-8981 8866 Fax: +86-755-8427 6832

Email & Skype: info@chipsmall.com Web: www.chipsmall.com

Address: A1208, Overseas Decoration Building, #122 Zhenhua RD., Futian, Shenzhen, China



PRODUCT NO.	MATERIAL
68106-XXXLF	PLAIN NORYL, COLOR: BLACK UL94V-1
68106-XXXHLF	Zytel: FR-50, BLACK UL94V-0

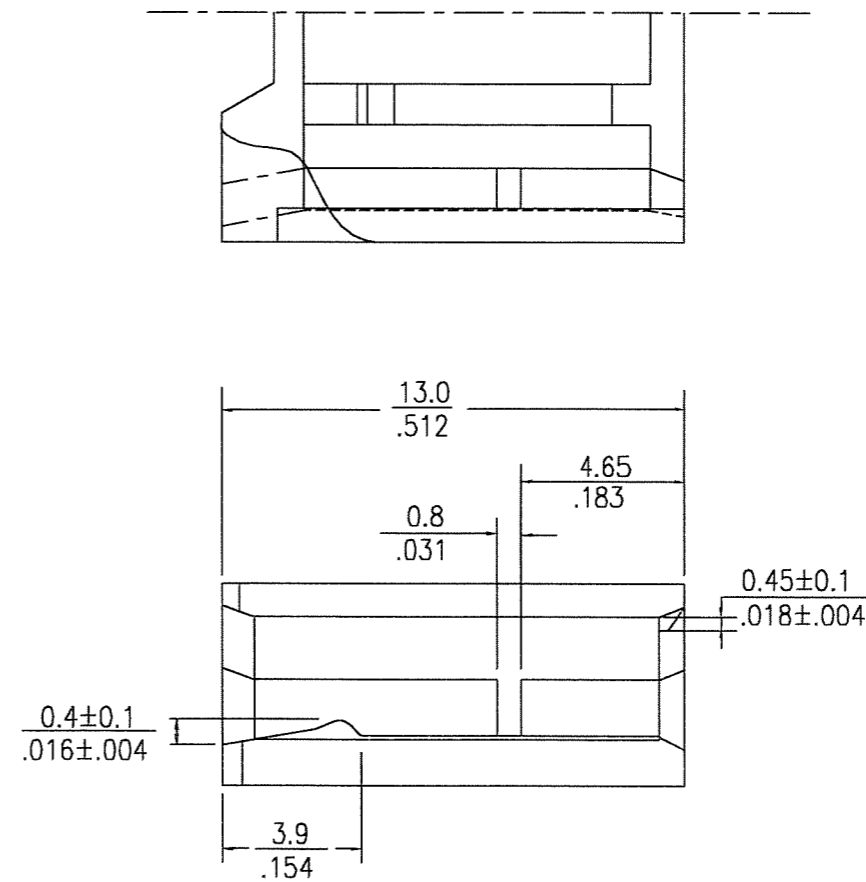
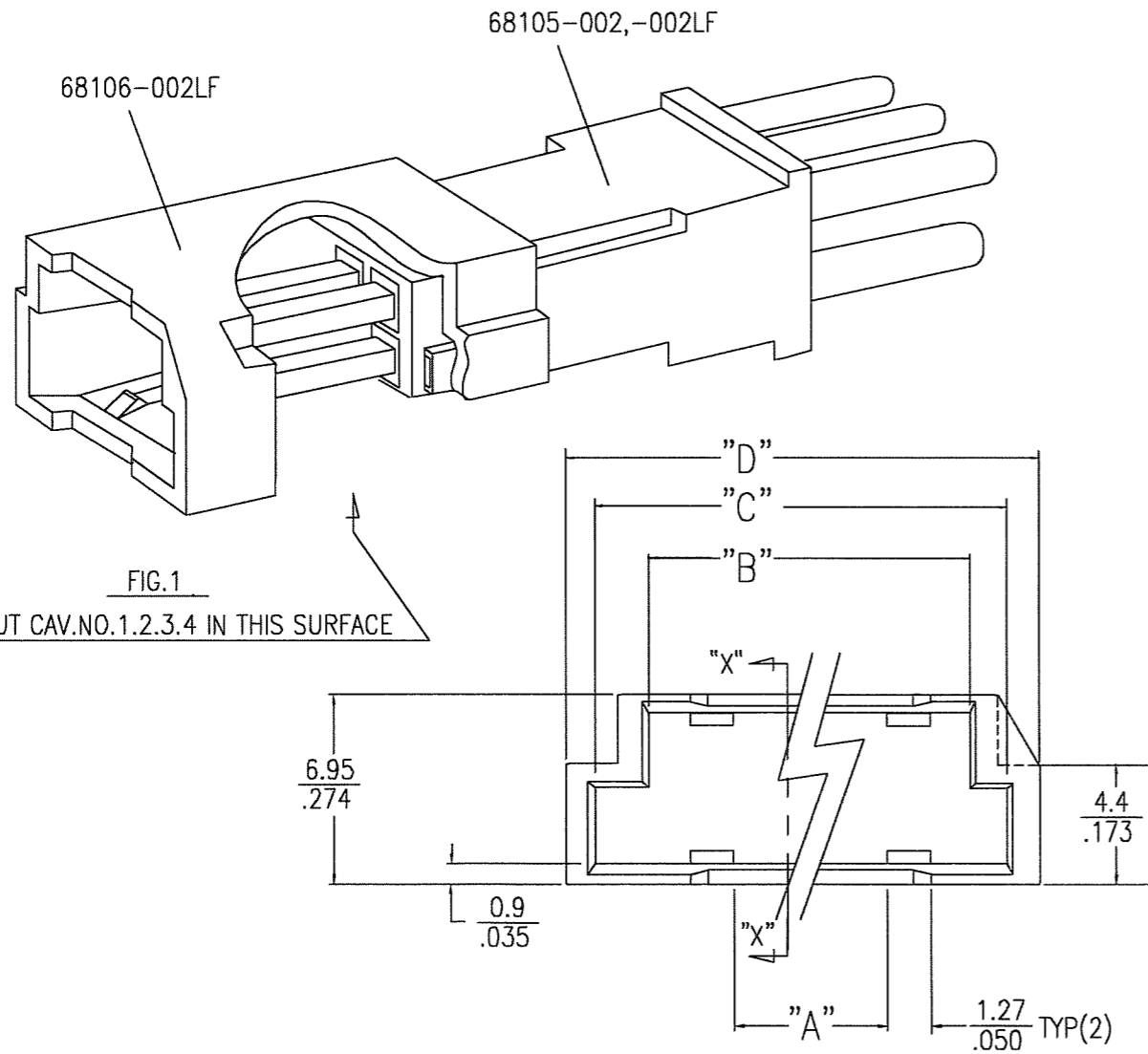
P/N	No.of POS	A	B	C	D
68106-003LF,-003HLF	8	5.08/.200	10.27/.404	12.27/.483	13.84/.545
68106-002LF,-002HLF	6	2.54/.100	7.73/.304	9.73/.383	11.30/.445
68106-001LF,-001HLF	4	0/.0	5.19/.204	7.19/.287	8.76/.345

NOTE

1. PUT DD MARK IN THIS PLACE WITH 0.02/.008 HEIGHT
2. PUT CAV NO. 1.2.3.4. IN THIS PLACE WITH 0.02/.008 HEIGHT
3. THIS PRODUCT MEETS EUROPEAN UNION DIRECTIVES AND OTHER COUNTRY REGULATIONS AS DESCRIBED IN GS-22-008.
4. THIS PRODUCT IS NOT INTENDED TO BE EXPOSED TO A MANUFACTURING SOLDER PROCESS.

注記

1. この位置に DDマークを彫刻、
浮き出し高さ 0.02MAX.
2. この位置に CAV No, 1.2.3.4を彫刻
浮き出し高さ 0.02 MAX.
3. 本製品は、GS-22-008に記載された
ヨーロッパ連合指令と他国の規制に適合しています。
4. 本製品は、はんだ付け工程には使用できません。



SECT "X"-"X"

mat'l. code				surface		tolerance		projection		product family		CODE
---				ISO 1302 ✓		ISO 406		mm/INCH		5NGF - PV HOUSINGS		JP
itr				description		ecn no		date		title		
A	RELEASED		NY	11/10/83			0.X ±0.25		POLARIZED M/L HSG SHROUD			
B	REVISED	J8110	NY	12/5/84	angles	linear	0.XX ±0.25	DOUBLE ROW				
C	REVISED	J8481	NY	8/5/87	0°±2'		0.XXX ±0.25	scale 1:1				
D	ADD NEW P/N	J03-0441	YK	10/29/03	dr	R.SHOUJI	9/5/06	dwg no		sheet 1 of 1 size		
E	REVISED	J05-0575	R.S	9/7/05	enr	R.SHOUJI	10/2/06	68106		A3		
F	REVISED	J06-0370	R.S	10/2/06	chr			type		PRODUCT CUSTOMER Drawing		
sheet		revision		F						Rev.		
index		sheet		1						F		

FCI CONFIDENTIAL



This document is the property of and embodies CONFIDENTIAL and PROPRIETARY information of FCI. No part of this information shall be disclosed, copied, or reproduced in any form or by any means without the written consent of FCI. Copyright FCI.