



Chipsmall Limited consists of a professional team with an average of over 10 year of expertise in the distribution of electronic components. Based in Hongkong, we have already established firm and mutual-benefit business relationships with customers from,Europe,America and south Asia,supplying obsolete and hard-to-find components to meet their specific needs.

With the principle of “Quality Parts,Customers Priority,Honest Operation,and Considerate Service”,our business mainly focus on the distribution of electronic components. Line cards we deal with include Microchip,ALPS,ROHM,Xilinx,Pulse,ON,Everlight and Freescale. Main products comprise IC,Modules,Potentiometer,IC Socket,Relay,Connector.Our parts cover such applications as commercial,industrial, and automotives areas.

We are looking forward to setting up business relationship with you and hope to provide you with the best service and solution. Let us make a better world for our industry!



## Contact us

Tel: +86-755-8981 8866 Fax: +86-755-8427 6832

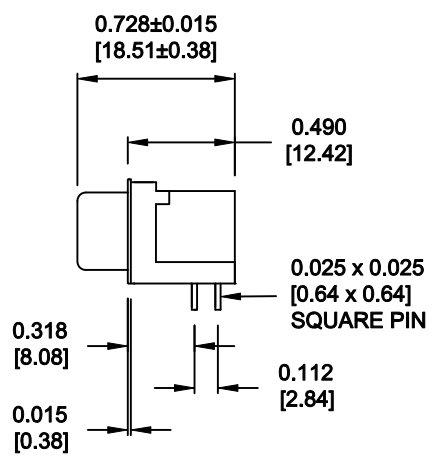
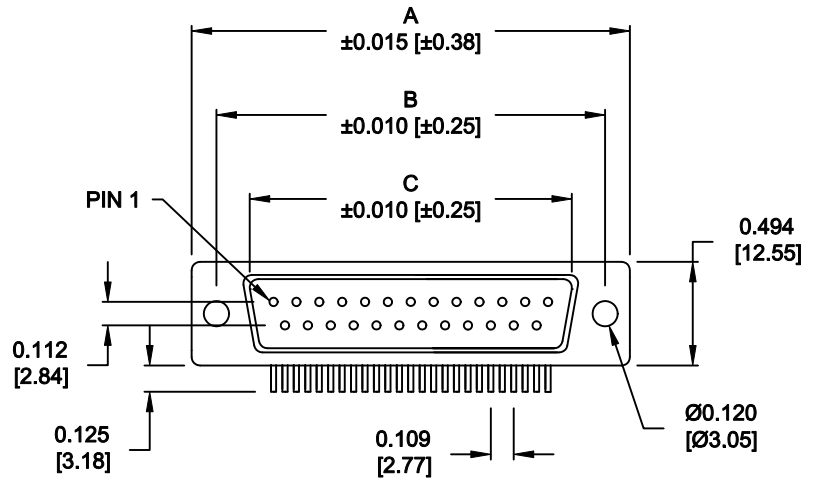
Email & Skype: info@chipsmall.com Web: www.chipsmall.com

Address: A1208, Overseas Decoration Building, #122 Zhenhua RD., Futian, Shenzhen, China

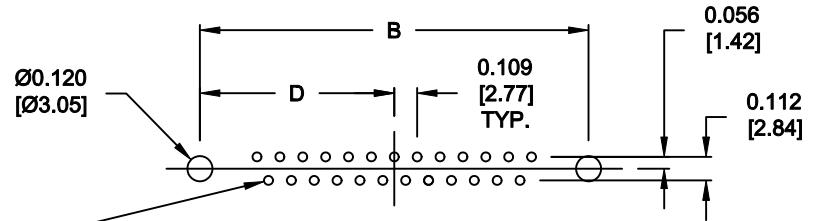
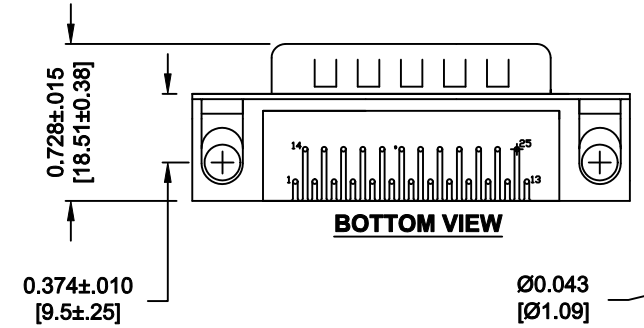


DESCRIPTION: IP66 - R/A - 0.318 - MALE - ECONOMY - D SUB

25-PIN SHOWN

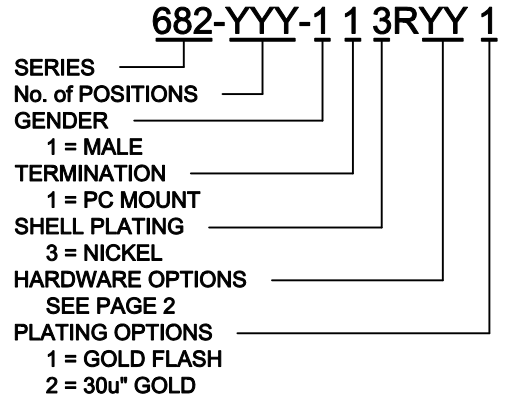


No. OF PINS	DIMENSIONS			
	A	B	C	D
009	1.213	0.984	0.666	0.492
	30.80	24.99	16.92	12.50
015	1.541	1.312	0.994	0.656
	39.14	33.32	25.25	16.66
025	2.088	1.852	1.534	0.926
	53.04	47.04	38.96	23.52



RECOMMENDED PCB LAYOUT

MEETS IP66 STANDARDS  
(SEE PAGE 2 FOR SEALING DETAILS)



MATERIAL:

- SHELL: SPCC, NICKEL PLATED
- INSULATOR: UL 94V-O RATED, BLACK, 260° PA9T
- CONTACT: BRASS, GOLD PLATED
- RIVET: COPPER ALLOY, NICKEL PLATED
- SCREWLOCK: ZINC ALLOY, NICKEL PLATED
- BOARDLOCK: SPCC, TIN PLATED
- SEALING MATERIAL: F08 FLEXIBLE ADHESIVE

ELECTRICAL:

- CURRENT RATING: 5 AMPS
- DIELECTRIC STRENGTH: 1,000VAC rms
- INSULATION RESISTANCE: 1,000 MOHMS Min
- TEMPERATURE: -55°C TO +105°C
- CERTIFICATION: UL RECOGNIZED TO CATEGORY CODE ECBT2

GENERAL TOLERANCES  
±0.006 [0.15]  
HOLE : ±0.005 [0.13]

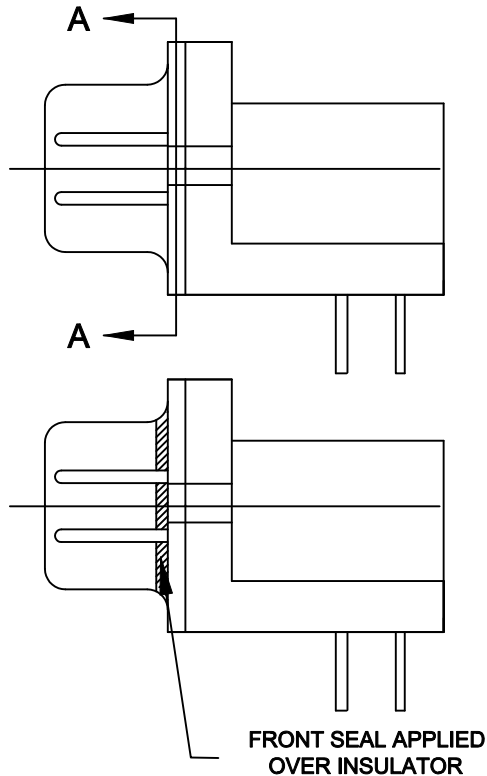
DO NOT SCALE FROM DRAWING

RoHS COMPLIANT

	THESE DRAWINGS AND SPECIFICATIONS ARE THE PROPERTY OF NorComp AND SHALL NOT BE REPRODUCED, COPIED OR USED AS THE BASIS FOR THE MANUFACTURE OF SALE OF APPARATUS WITHOUT WRITTEN PERMISSION.	DRAWN: <b>M. SIGMON</b>	DATE: <b>02-24-12</b>
		CHECKED:	DATE:
		SCALE: <b>1 : 1</b>	SHEET <b>1</b> OF <b>2</b>
		DWG NO. <b>682-YYY-113RYY1</b>	

DESCRIPTION: IP66 - RIGHT ANGLE HARDWARE OPTIONS

**SEALING PROCESS**



DETAIL A-A

**HARDWARE OPTIONS**

	$0.141 \pm 0.020$  METAL SHELL WITH INSIDE GROUND STRAPS	 METAL SHELL FORK BOARD LOCKS
 4-40 FLUSH INSERT	<b>17</b>	<b>53</b> BOARD LOCKS IN HOLE

DO NOT SCALE FROM DRAWING



THESE DRAWINGS AND SPECIFICATIONS ARE THE PROPERTY OF NorComp AND SHALL NOT BE REPRODUCED, COPIED OR USED AS THE BASIS FOR THE MANUFACTURE OF SALE OF APPARATUS WITHOUT WRITTEN PERMISSION.

DRAWN:  
**M. SIGMON**

DATE:  
**02-24-12**

CHECKED:

DATE:

**NorComp**

SCALE: **1:1** SHEET **2** OF **2** REV **0**

DWG NO. **682-YYY-113RYY1**

**RoHS COMPLIANT**