



Chipsmall Limited consists of a professional team with an average of over 10 year of expertise in the distribution of electronic components. Based in Hongkong, we have already established firm and mutual-benefit business relationships with customers from,Europe,America and south Asia,supplying obsolete and hard-to-find components to meet their specific needs.

With the principle of “Quality Parts,Customers Priority,Honest Operation,and Considerate Service”,our business mainly focus on the distribution of electronic components. Line cards we deal with include Microchip,ALPS,ROHM,Xilinx,Pulse,ON,Everlight and Freescale. Main products comprise IC,Modules,Potentiometer,IC Socket,Relay,Connector.Our parts cover such applications as commercial,industrial, and automotives areas.

We are looking forward to setting up business relationship with you and hope to provide you with the best service and solution. Let us make a better world for our industry!



Contact us

Tel: +86-755-8981 8866 Fax: +86-755-8427 6832

Email & Skype: info@chipsmall.com Web: www.chipsmall.com

Address: A1208, Overseas Decoration Building, #122 Zhenhua RD., Futian, Shenzhen, China



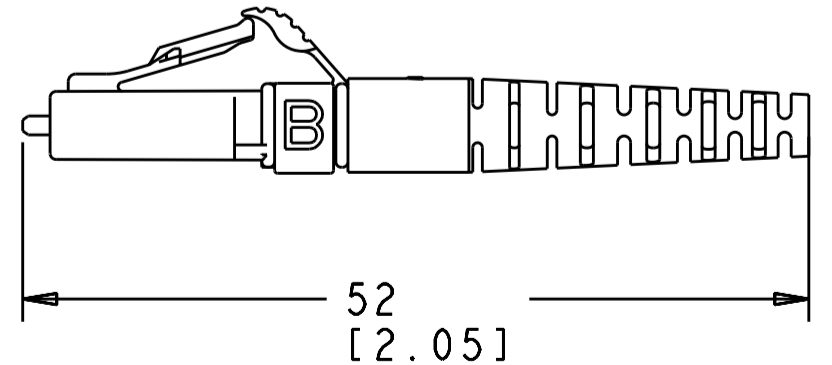
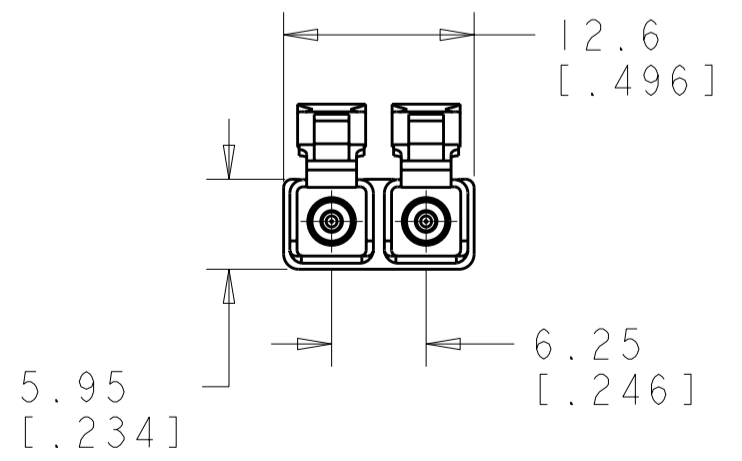
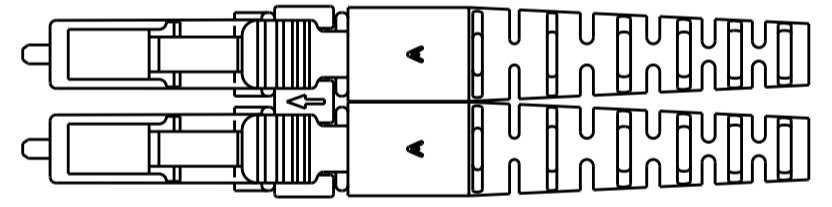
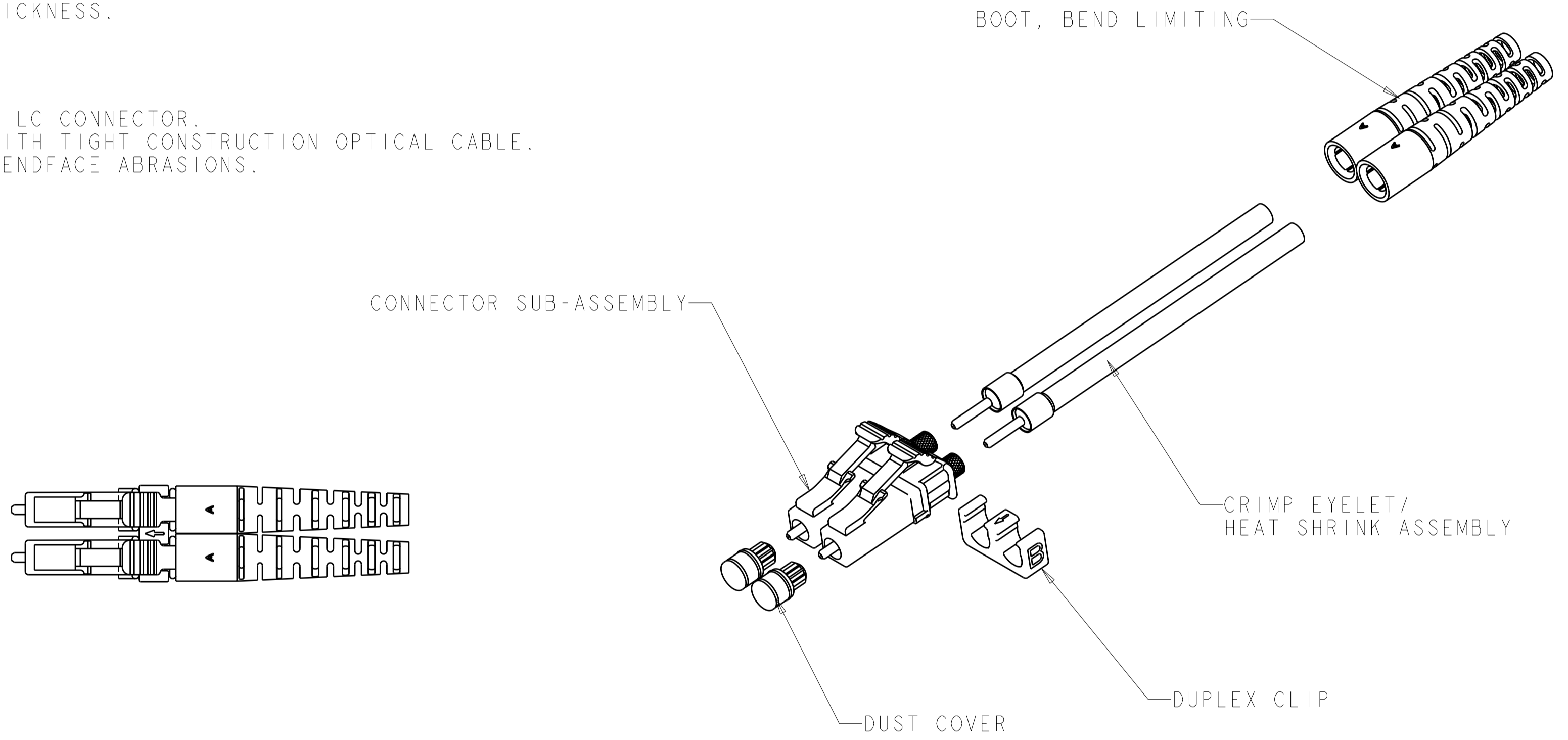
THIS DRAWING IS UNPUBLISHED. RELEASED FOR PUBLICATION
 © COPYRIGHT BY TYCO ELECTRONICS CORPORATION. ALL INTERNATIONAL RIGHTS RESERVED.

LOC		DIST		REVISIONS			
P	LTR	DESCRIPTION	DATE	DWN	APVD		
	A	ECO-07-016319	16JUL2007	DHR	DHR		
	B	REV PER ECR-10-010066	20MAY2010	IL	CT		

1 MATERIAL: PROTECTIVE COVER: TPE, COLOR: BLACK, UL 94 HB. *
 FERRULE SUB ASSEMBLY: ZIRCONIA/ALUM. ALLOY
 COMPRESSION SPRING: STAINLESS STEEL.
 FRONT HOUSING: PPSU, COLOR BLUE, UL 94 V-0. *
 REAR BODY: ALUM. ALLOY
 DUPLEX CLIP: PEI, COLOR: BLACK, UL 94 V-0. *
 BOOT: PP, COLOR: BLUE, UL 94 V-0. *
 CRIMP EYELET/HEAT SHRINK ASSY: ALUM. ALLOY, HEAT SHRINK: POLYOLEFIN, UL VW-1.
 * RATED AT QUALIFYING THICKNESS.

2 BULK PACKAGE

3. THIS IS A NON-PULL PROOF LC CONNECTOR.
 IT IS DESIGNED FOR USE WITH TIGHT CONSTRUCTION OPTICAL CABLE.
 UNDER LOADS YOU MAY SEE ENDFACE ABRASIONS.



2	6828130-2
	6828130-1
	PART NO.

THIS DRAWING IS A CONTROLLED DOCUMENT FOR TYCO ELECTRONICS CORPORATION IT IS SUBJECT TO CHANGE AND THE CONTROLLING ENGINEERING ORGANIZATION SHOULD BE CONTACTED FOR THE LATEST REVISION.		DWN E_HALEY 14OCT2005	Tyco Electronics Corporation Shanghai, China	
DIMENSIONS: mm [INCHES]		CHK D_ROHDE 14OCT2005	NAME CONNECTOR KIT, LC, DUPLEX, SM, JUMPER, TIGHT JACKET STYLE, 1.6 - 2.0mm	
TOLERANCES UNLESS OTHERWISE SPECIFIED:		APVD D_ROHDE 14OCT2005	RESTRICTED TO	
0 PLC ±		PRODUCT SPEC	SIZE A2	CAGE CODE -
1 PLC ±0.1 [.004]		APPLICATION SPEC	DRAWING NO. G-6828130	SCALE 2:1
2 PLC ±0.01 [.0004]		WEIGHT -	SHEET 1	OF 1
3 PLC ±		CUSTOMER DRAWING	REV B	
4 PLC ±				
ANGLES ±				
FINISH ±				