



Chipsmall Limited consists of a professional team with an average of over 10 year of expertise in the distribution of electronic components. Based in Hongkong, we have already established firm and mutual-benefit business relationships with customers from,Europe,America and south Asia,supplying obsolete and hard-to-find components to meet their specific needs.

With the principle of "Quality Parts,Customers Priority,Honest Operation,and Considerate Service",our business mainly focus on the distribution of electronic components. Line cards we deal with include Microchip,ALPS,ROHM,Xilinx,Pulse,ON,Everlight and Freescale. Main products comprise IC,Modules,Potentiometer,IC Socket,Relay,Connector.Our parts cover such applications as commercial,industrial, and automotives areas.

We are looking forward to setting up business relationship with you and hope to provide you with the best service and solution. Let us make a better world for our industry!



Contact us

Tel: +86-755-8981 8866 Fax: +86-755-8427 6832

Email & Skype: info@chipsmall.com Web: www.chipsmall.com

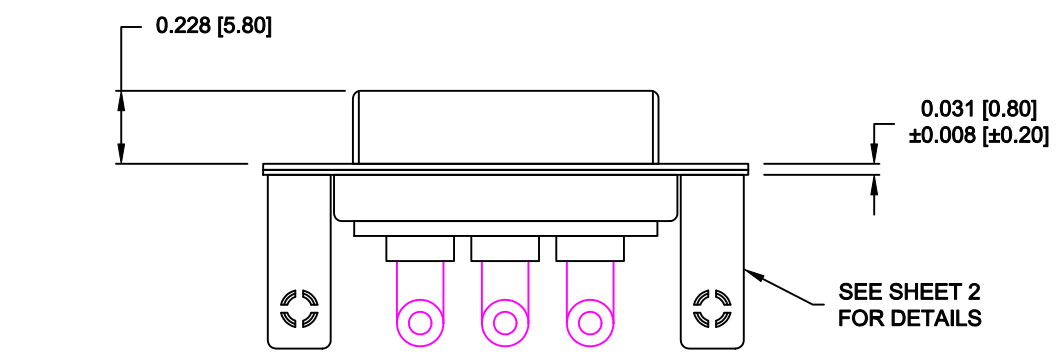
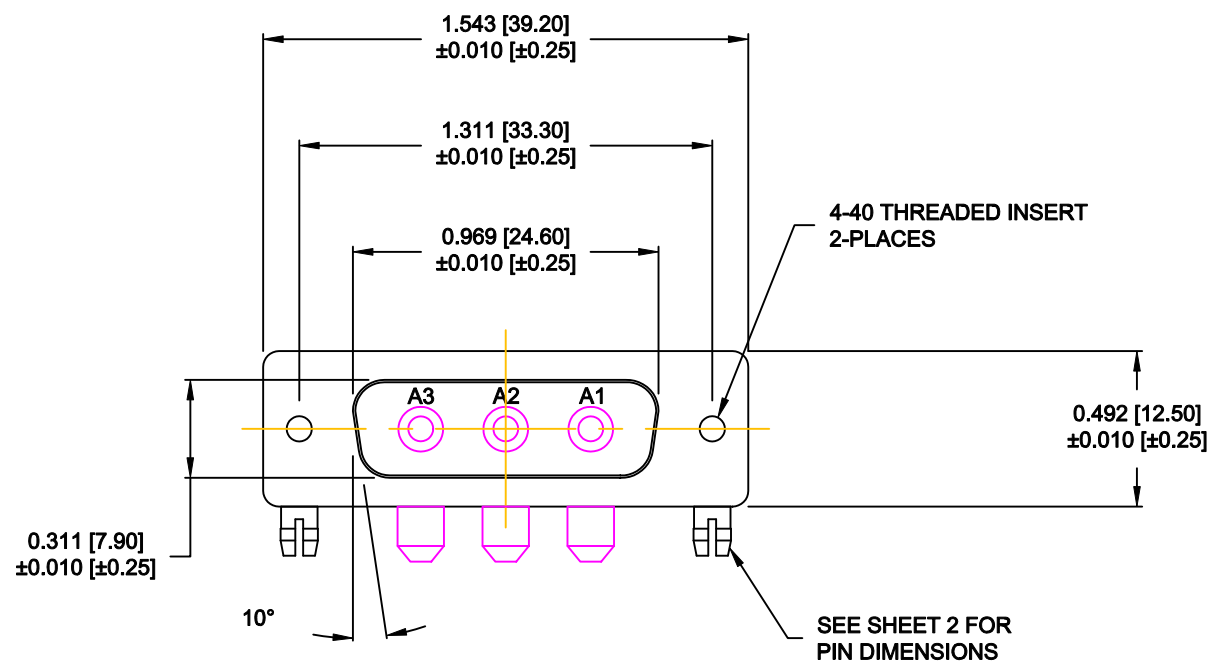
Address: A1208, Overseas Decoration Building, #122 Zhenhua RD., Futian, Shenzhen, China



DESCRIPTION: POWER - RIGHT ANGLE - FEMALE - MACHINED

SPECIFICATIONS:


- ELECTRICAL:**
 INSULATOR RESISTANCE: 5 GOHMS Min.
 DIELECTRIC WITHSTANDING: 1,000VAC r.m.s.
 OPERATING TEMPERATURE: -55° C ~ +155° C
 CONTACT RESISTANCE: 1.0 Milliohms Max.
 POWER PINS: 40 AMPS
- MECHANICAL:**
 CONTACT INSERTION FORCE: 4.5 Kg Max.
 CONTACT SEPARATOR FORCE: 0.3Kg Min.
- MATERIALS:**
 CONTACTS: COPPER ALLOY
 INSULATOR: PBT, 30% GLASS FILLED
 UL94V-0 RATED,
 230°C PROCESS TEMP.
 BLACK
 STEEL
 BRASS, NICKEL PLATED
 BRASS, NICKEL PLATED
 STEEL, NICKEL PLATED
- SHELL:**
BOARD LOCK:
CLINCHNUT:
BRACKET:
- FINISH:**
 SHELL: NICKEL
 CONTACTS: FULL GOLD FLASH



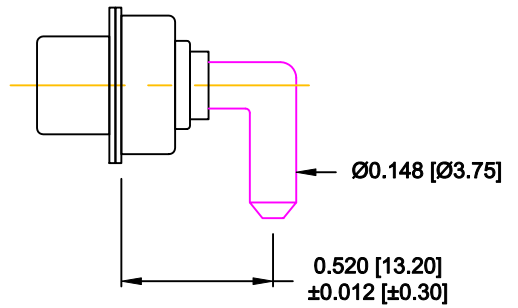
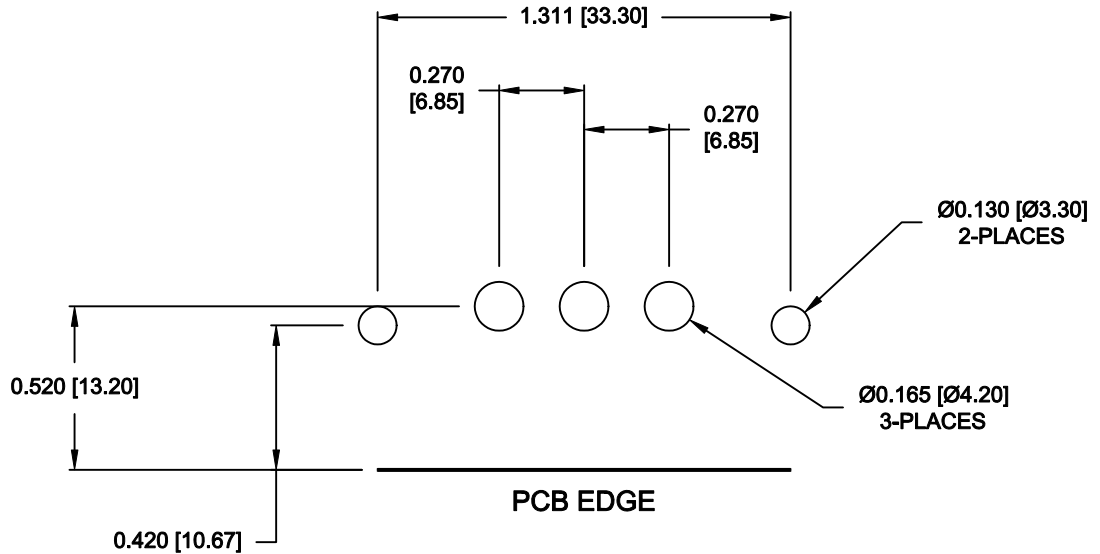
684M3W3203L461

46 = 4-40 INSERTS / BOARD LOCKS

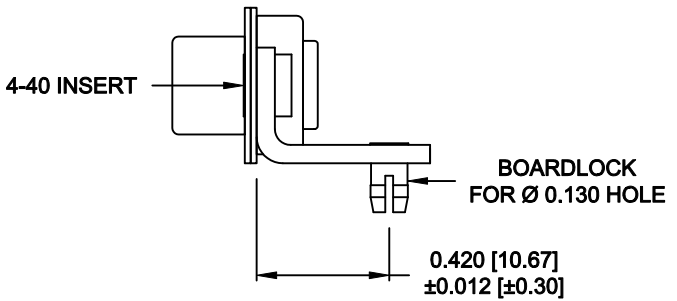
RoHS COMPLIANT

| | | | | |
|--|---|----------------------------|-------------------------|-----------------------|
|  | THESE DRAWINGS AND SPECIFICATIONS ARE THE PROPERTY OF NorComp AND SHALL NOT BE REPRODUCED, COPIED OR USED AS THE BASIS FOR THE MANUFACTURE OR SALE OF APPARATUS WITHOUT WRITTEN PERMISSION. | | DRAWN: M. SIGMON | DATE: 02-06-14 |
| | | | CHECKED: | DATE: |
| NorComp | SCALE: 1.5 = 1 | SHEET 1 OF 2 | REV 0 | |
| | DWG NO. 684M3W3203L461 | | | |

**NOTE:
POWER CONTACTS COME
PRE-LOADED INTO INSULATORS**




40 AMP POWER CONTACT



MOUNTING HARDWARE

RoHS COMPLIANT

| | | | | |
|--|---|-------------------------------|----------------------------------|--------------------------|
|  | THESE DRAWINGS AND SPECIFICATIONS ARE THE PROPERTY OF NorComp AND SHALL NOT BE REPRODUCED, COPIED OR USED AS THE BASIS FOR THE MANUFACTURE OR SALE OF APPARATUS WITHOUT WRITTEN PERMISSION. | | DRAWN: M. SIGMON | DATE: 02-06-14 |
| | | | CHECKED: | DATE: |
| NorComp | | SCALE: 1.5 = 1 | SHEET 2 OF 2 | REV 0 |
| | | DWG NO. 684M3W3203L461 | | |