



Chipsmall Limited consists of a professional team with an average of over 10 year of expertise in the distribution of electronic components. Based in Hongkong, we have already established firm and mutual-benefit business relationships with customers from,Europe,America and south Asia,supplying obsolete and hard-to-find components to meet their specific needs.

With the principle of “Quality Parts,Customers Priority,Honest Operation,and Considerate Service”,our business mainly focus on the distribution of electronic components. Line cards we deal with include Microchip,ALPS,ROHM,Xilinx,Pulse,ON,Everlight and Freescale. Main products comprise IC,Modules,Potentiometer,IC Socket,Relay,Connector.Our parts cover such applications as commercial,industrial, and automotives areas.

We are looking forward to setting up business relationship with you and hope to provide you with the best service and solution. Let us make a better world for our industry!



## Contact us

Tel: +86-755-8981 8866 Fax: +86-755-8427 6832

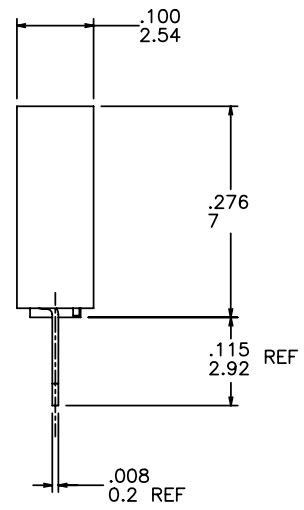
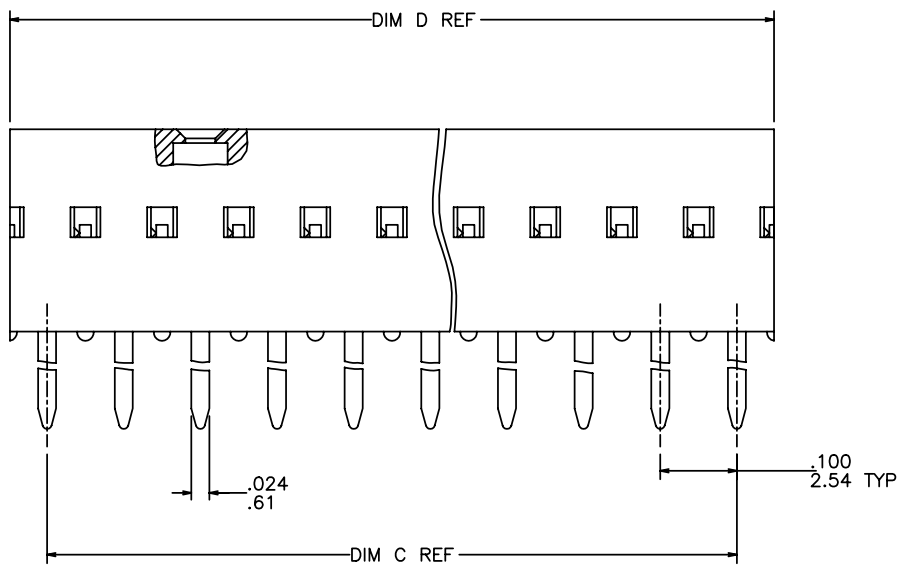
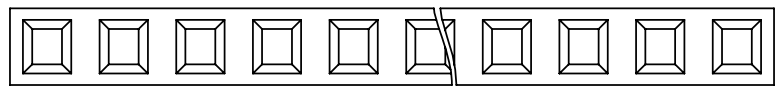
Email & Skype: info@chipsmall.com Web: www.chipsmall.com

Address: A1208, Overseas Decoration Building, #122 Zhenhua RD., Futian, Shenzhen, China



PRODUCT NO.  
SEE TABLE

68685 - XXX - LF  
 LEAD FREE OPTION  
 PACKAGING OPTIONS OMIT IF NOT REQUIRED.  
 NO. OF POSITIONS PER ROW  
 PLATING CODE  
 BASE PART NUMBER



FCI  
FCIconnect.com

Copyright FCI

mat'l. code		surface ISO 1302 ✓		tolerance ISO 406 ISO 1101		projection INCH/MM		product family DUBOX	
ltr ecn nodr date		tolerances unless otherwise specified		title		dwg no		sheet # of 3 size	
W	N-005262	SH	2011-8-24	angles	.XX ±.01/3	68685		A3	
P	V03-0309	HTB	04/30/03	linea	.xxx ±.005/.13	68685		A3	
R	V04-0002	HTB	01/06/04	0°±2'	.xxxx ±.0020/.051	68685		A3	
S	V05-0463	DPU	06/27/05	chr	S. RAMP	68685		A3	
T	M06-0237	MN	06/19/06	engr	M. HAHN	68685		A3	
U	M06-0433	AGS	10/31/06	chr	M. HAHN	68685		A3	
V	M07-0203	MHT	5/01/07	appd	M. HAHN	68685		A3	
sheet	revision	W	W	W		68685		A3	
index	sheet	1	2	3		68685		A3	

PRODUCT NO NOTE 8	PLATING CONTACT AREA MIN	PLATING SOLDER TAIL
68685-2XX	15u"/.38u Au OR GXT, OVER 50u"/1.27uNI	100u"/160u" SN 2.54u/4.06u
68685-3XX	30u"/.76u Au OR GXT, OVER 50u"/1.27u NI	100u"/160u" SN 2.54u/4.06u
68685-4XX	100u"/160u" SN 2.54u/4.06u	100u"/160u" SN 2.54u/4.06u
68685-5XX	50u"/1.27u Au OVER 50u"/1.27u NI	100u"/160u" SN 2.54u/4.06u
68685-6XX	30u"/.76u Au OR GXT, OVER 50u"/1.27u NI	100u"/160u" SN 2.54u/4.06u
68685-8XX	30u"/.76u Au OVER 50u"/1.27u NI	100u"/160u" SN 2.54u/4.06u

OBSOLETE

OBSOLETE

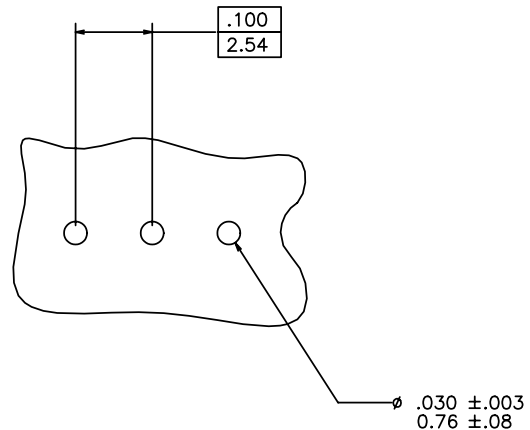


FIGURE A

NOTES:

- MATERIAL HOUSING: PPS, COLOR - BLACK, FLAME RETARDANT PER UL-94V-0. THIS PART WILL WITHSTAND EXPOSURES TO 260°C PEAK TEMPERATURE FOR 20 SECONDS IN WAVE SOLDER, INFRA-RED OR VAPOR PHASE SOLDER PROCESS.
- MATERIAL TERMINAL: PHOSPHOR BRONZE.
- RECOMMENDED APPLICATION DATA:
  - RECOMMENDED HOLE PATTERN IS SHOWN IN FIGURE A.
  - ALL MATING PINS TO BE .025/.64 SQUARE ON TRUE CENTER OF GIVEN TERMINAL SPACINGS WITHIN .015/.38 DIA
  - SUGGESTED MATING PIN LENGTH .210±.020/5.33±.51
  - RECOMMENDED PC BOARD THICKNESS: .062/1.58
- FCI, FCI FINAL PART NUMBER AND DATE CODE TO BE MARKED ON TUBE LABEL.
- PREPLATED STAMPED TERMINALS.
- STANDARD TUBE PACKAGE PER BUS-14-097/3.
- PART NUMBER WITH SUFFIX "U" FOR SAWING ONLY.
- ADD LF SUFFIX AT THE END OF PART NUMBER FOR LEAD FREE OPTION.
- THIS PRODUCT MEETS EUROPEAN UNION DIRECTIVES AND OTHER COUNTRY REGULATION AS DESCRIBED IN GS-22-008.
- THIS PRODUCT HAS 100% TIN PLATING IN THE INTERFACE AND HAS NOT BEEN TESTED FOR WHISKER GROWTH IN ALL INTERCONNECT ENVIRONMENT.

mat'l. code		surface ISO 1302 ✓	tolerance ISO 406 ISO 1101	projection INCH/MM	product family DUBOX
l	tr	ec	n	o	d
date	tolerances unless otherwise specified				title
W	angles	line	.XX ±.01/.3 .XXX ±.005/.13 .XXXX ±.0020/.051	INCH/MM	DUBOX SING. ROW VERT. CARD CONN. ASSEMBLY
	0°±2'			scale 4:1	dwg no 68685
dr	S. RAMP	02/25/91	FCI		sheet 2 of 3 size A3
enr	M. HAHN	02/25/91			type Product Customer Drawing
chr	M. HAHN	02/25/91			
app	M. HAHN	02/25/91			
sheet index	revision sheet				

PRODUCT NUMBER	NO. OF POSITION	DIM C	DIM D	LF OPTION
68685-Y02	1 X 2	.100/2.54	.217/5.51	NOTE 8
-Y03	1 X 3	.200/5.08	.317/8.05	
-Y04	1 X 4	.300/7.62	.417/10.59	
-Y05	1 X 5	.400/10.16	.517/13.13	
-Y06	1 X 6	.500/12.70	.617/15.67	
-Y07	1 X 7	.600/15.24	.717/18.21	
-Y08	1 X 8	.700/17.78	.817/20.75	
-Y09	1 X 9	.800/20.32	.917/23.29	
-Y10	1 X 10	.900/22.86	1.017/25.83	
-Y11	1 X 11	1.000/25.40	1.117/28.37	
-Y12	1 X 12	1.100/27.94	1.217/30.91	
-Y13	1 X 13	1.200/30.48	1.317/33.45	
-Y14	1 X 14	1.300/33.02	1.417/35.99	
-Y15	1 X 15	1.400/35.56	1.517/38.53	
-Y16	1 X 16	1.500/38.10	1.617/41.07	
-Y17	1 X 17	1.600/40.64	1.717/43.61	
-Y18	1 X 18	1.700/43.18	1.817/46.15	
-Y19	1 X 19	1.800/45.72	1.917/48.69	
-Y20	1 X 20	1.900/48.26	2.017/51.23	
-Y21	1 X 21	2.000/50.80	2.117/53.77	
-Y22	1 X 22	2.100/53.34	2.217/56.31	
-Y23	1 X 23	2.200/55.88	2.317/58.85	
-Y24	1 X 24	2.300/58.42	2.417/61.39	
-Y25	1 X 25	2.400/60.96	2.517/63.93	
-Y26	1 X 26	2.500/63.50	2.617/66.47	
-Y27	1 X 27	2.600/66.04	2.717/69.01	
-Y28	1 X 28	2.700/68.58	2.817/71.55	
-Y29	1 X 29	2.800/71.12	2.917/74.09	
-Y30	1 X 30	2.900/73.66	3.017/76.63	
-Y31	1 X 31	3.000/76.20	3.117/79.17	
-Y32	1 X 32	3.100/78.74	3.217/81.71	
-Y33	1 X 33	3.200/81.28	3.317/84.25	
-Y34	1 X 34	3.300/83.82	3.417/86.79	
68685-Y35	1 X 35	3.400/86.36	3.517/89.33	

PRODUCT NO	NO. OF POSITION	DIM C	DIM D	LF OPTION
68685-Y36	1 X 36	3.500/88.90	3.617/91.87	NOTE 8
-Y37	1 X 37	3.600/91.44	3.717/94.41	
-Y38	1 X 38	3.700/93.98	3.817/96.95	
-Y39	1 X 39	3.800/96.52	3.917/99.49	
-Y40	1 X 40	3.900/99.06	4.017/102.03	
-Y41	1 X 41	4.000/101.60	4.117/104.57	
-Y42	1 X 42	4.100/104.14	4.217/107.11	
-Y43	1 X 43	4.200/106.68	4.317/109.65	
-Y44	1 X 44	4.300/109.22	4.417/112.19	
-Y45	1 X 45	4.400/111.76	4.517/114.73	
-Y46	1 X 46	4.500/114.30	4.617/117.27	
-Y47	1 X 47	4.600/116.84	4.717/119.81	
-Y48	1 X 48	4.700/119.38	4.817/122.35	
-Y49	1 X 49	4.800/121.92	4.917/124.89	
68685-Y50	1 X 50	4.900/124.46	5.017/127.43	
68685-Y50U	1 X 50	4.900/124.46	5.017/127.43	

NOTE 7

mat'l. code		surface ISO 1302 ✓	tolerance ISO 406 ISO 1101	projection 	product family DUBOX
ltr	ecn	nodr	date	title DUBOX SING. ROW VERT. CARD CONN. ASSEMBLY	
W				tolerances unless otherwise specified	INCH/MM
				angles XX ±.01/3	scale 4:1
				line XXX ±.005/.13	
				0°±2°	
				XXXX ±.0020/.051	
				dr S. RAMP 02/25/91	dwg no 68685
				engr M. HAHN 02/25/91	sheet 3 of 3
				chr M. HAHN 02/25/91	size A3
				appd M. HAHN 02/25/91	type Product Customer Drawing
sheet index	revision sheet				