



Chipsmall Limited consists of a professional team with an average of over 10 year of expertise in the distribution of electronic components. Based in Hongkong, we have already established firm and mutual-benefit business relationships with customers from,Europe,America and south Asia,supplying obsolete and hard-to-find components to meet their specific needs.

With the principle of "Quality Parts,Customers Priority,Honest Operation,and Considerate Service",our business mainly focus on the distribution of electronic components. Line cards we deal with include Microchip,ALPS,ROHM,Xilinx,Pulse,ON,Everlight and Freescale. Main products comprise IC,Modules,Potentiometer,IC Socket,Relay,Connector.Our parts cover such applications as commercial,industrial, and automotives areas.

We are looking forward to setting up business relationship with you and hope to provide you with the best service and solution. Let us make a better world for our industry!



Contact us

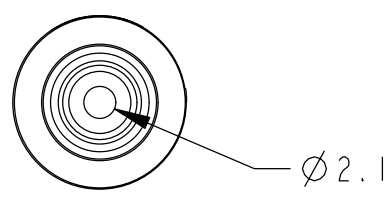
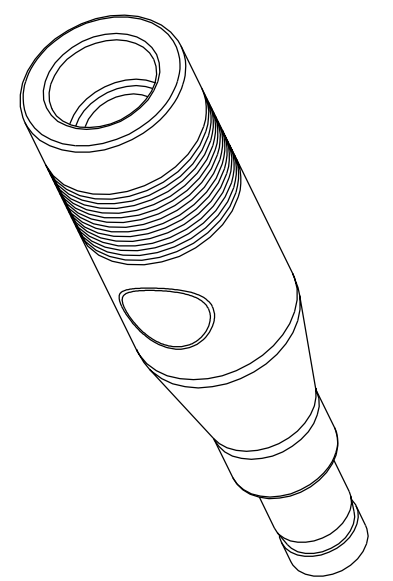
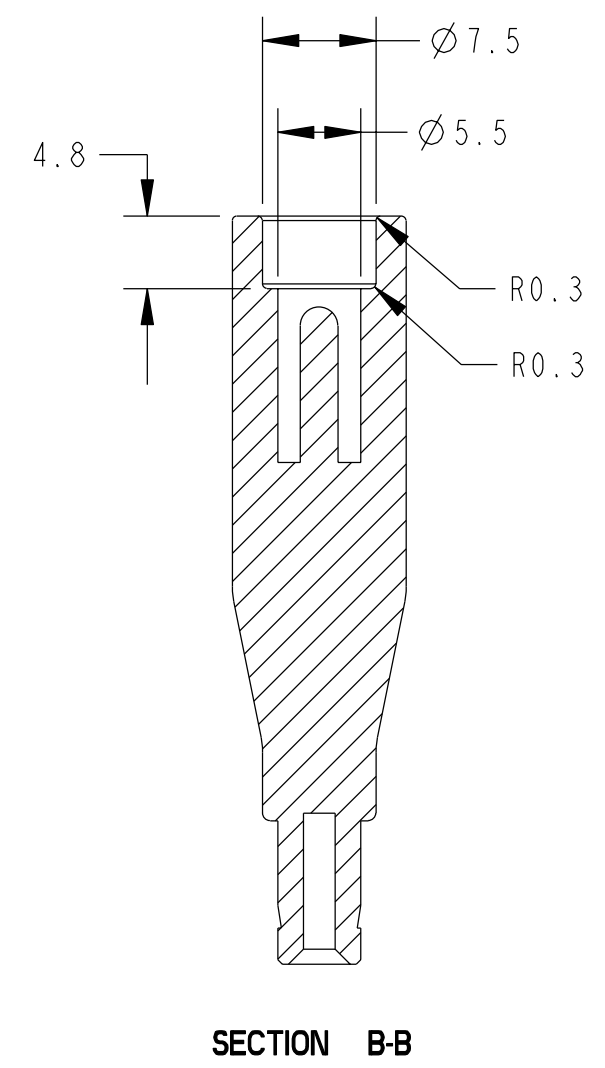
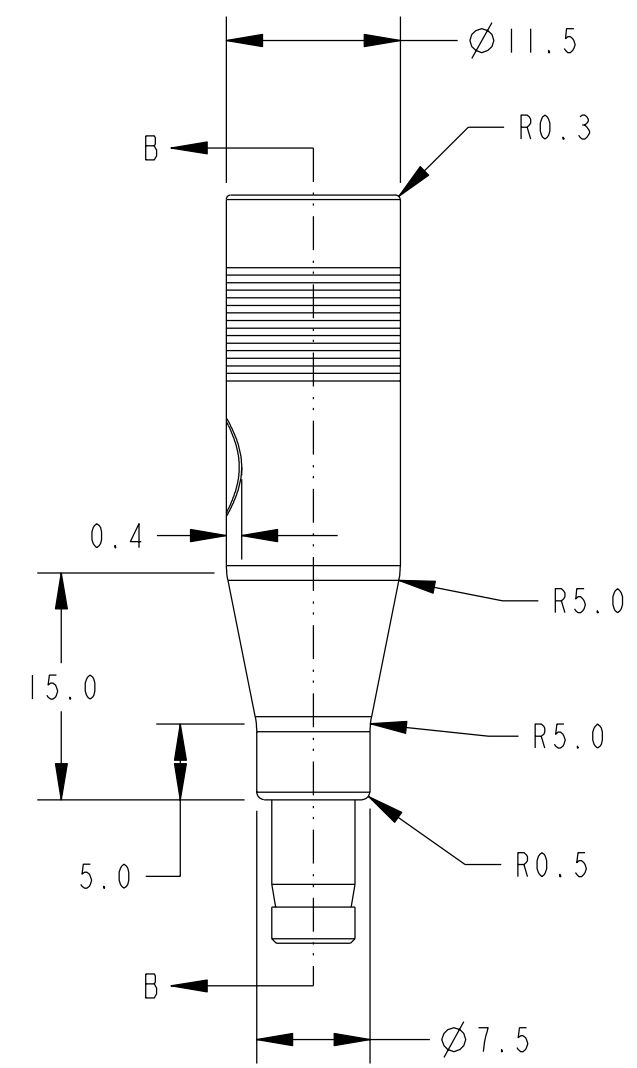
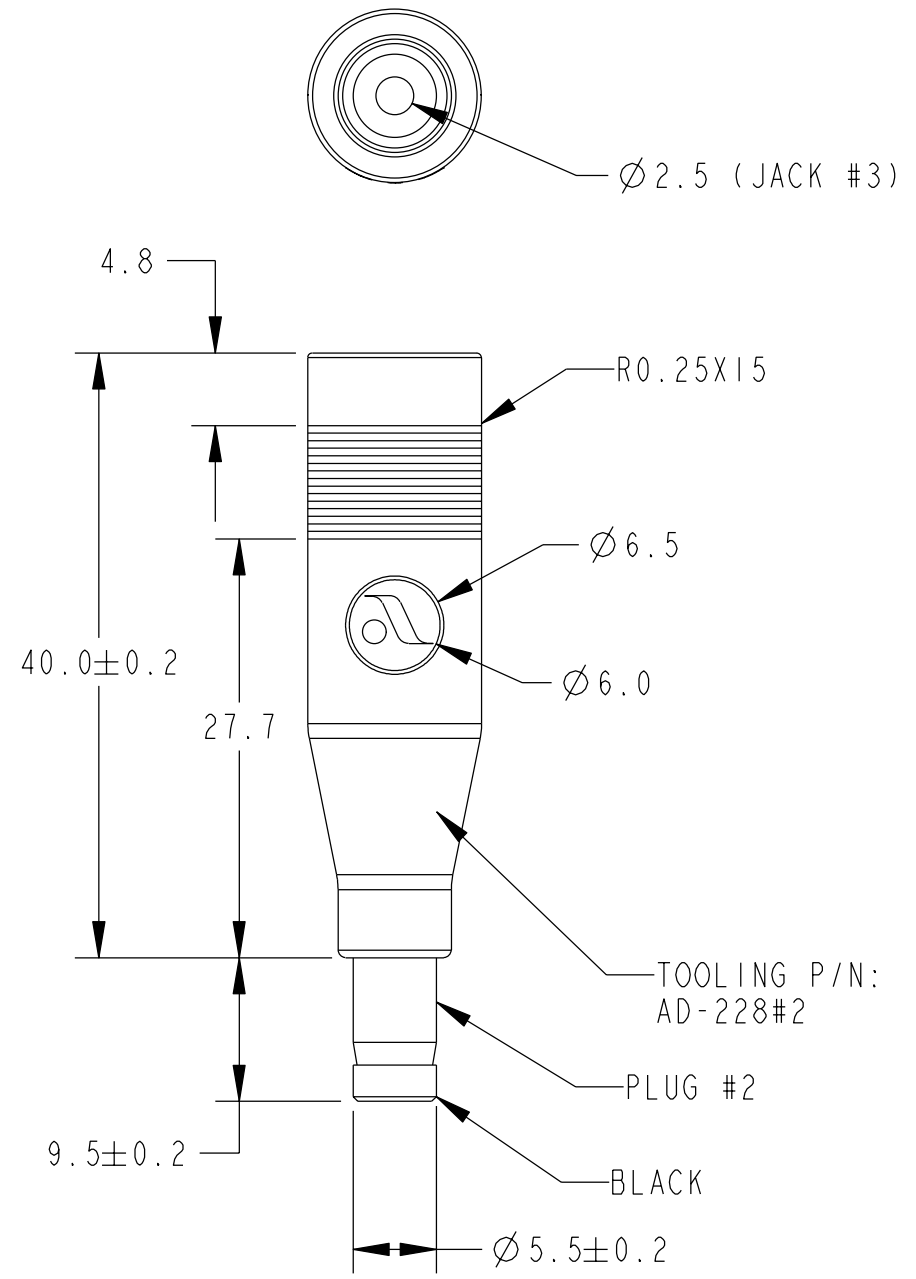
Tel: +86-755-8981 8866 Fax: +86-755-8427 6832

Email & Skype: info@chipsmall.com Web: www.chipsmall.com


Address: A1208, Overseas Decoration Building, #122 Zhenhua RD., Futian, Shenzhen, China



REVISIONS			
REV	DESCRIPTION	DATE	APPROVAL
A	RELEASE	25-Feb-03	X



NOTES:
 ADAPTER: #2
 DC PLUG: Ø2.1 X 5.5 X 9.5 MM (BLACK)
 DC JACK: Ø2.5 X 5.5 X 9.5 MM
 MATERIAL: PVC 90 "A"
 ADAPTER DESIGNED BY AULT FOR USE ONLY WITH CABLE OVERMOLD TOOLING 6131450 AND 6131451 WITH BARREL LENGTH .375 (9.5 MM). WITHDRAW TEST APPROX. 1 KG ~ 2 LBS. PER 1 MINUTE.
 MANUFACTURED BY GOOD POWER P/N AD-228 #2.

TOLERANCES UNLESS NOTED OTHERWISE	SUPPLEMENTARY INFORMATION FIRST USED X		AULT ADAPTER (JACK #3 PLUG #2)		 AULT <small>AULT INCORPORATED MINNEAPOLIS, MINNESOTA</small>	
	DO NOT SCALE DRAWING					
.X ±.020 .XX ±.010 .XXX ±.005 ANGLES ±.5°	DRAWN BY	S. JOHNSON	25-Feb-03	SIZE	DRAWING NO.	REV
	DESIGNER			B	6872340FG	A
	AGENCY					
	ENGINEER					
APPROVED				SCALE 2.000	SHEET 1 OF 1	