



Chipsmall Limited consists of a professional team with an average of over 10 year of expertise in the distribution of electronic components. Based in Hongkong, we have already established firm and mutual-benefit business relationships with customers from,Europe,America and south Asia,supplying obsolete and hard-to-find components to meet their specific needs.

With the principle of “Quality Parts,Customers Priority,Honest Operation,and Considerate Service”,our business mainly focus on the distribution of electronic components. Line cards we deal with include Microchip,ALPS,ROHM,Xilinx,Pulse,ON,Everlight and Freescale. Main products comprise IC,Modules,Potentiometer,IC Socket,Relay,Connector.Our parts cover such applications as commercial,industrial, and automotives areas.

We are looking forward to setting up business relationship with you and hope to provide you with the best service and solution. Let us make a better world for our industry!



Contact us

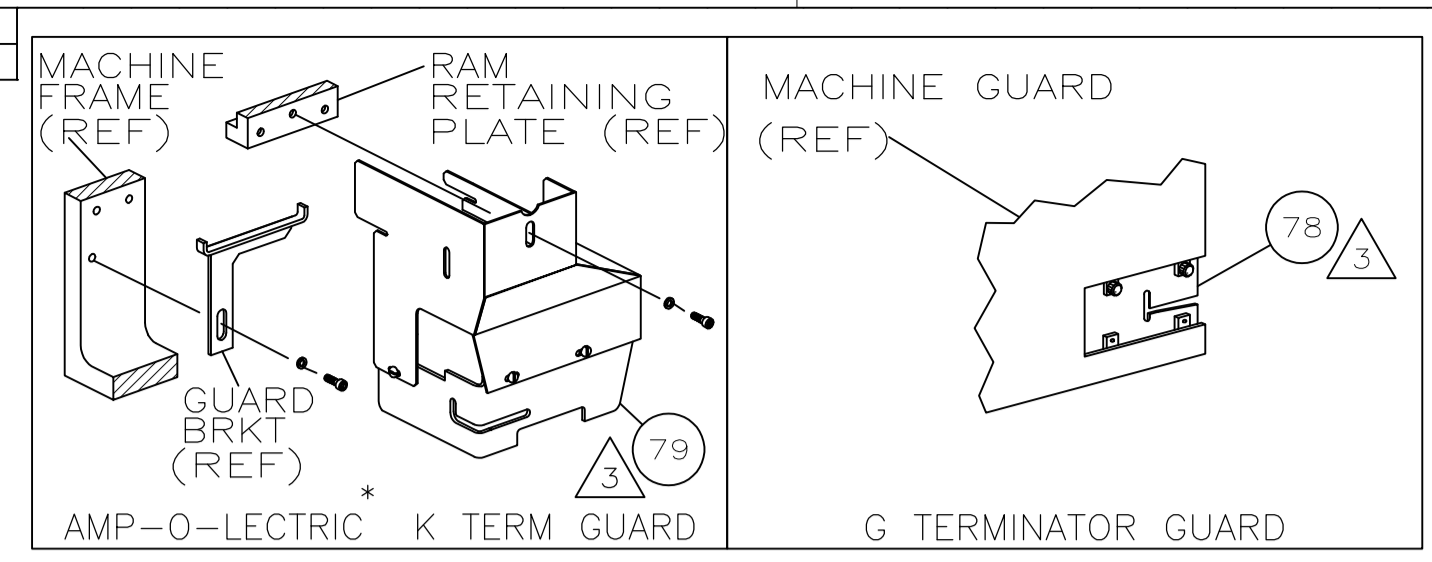
Tel: +86-755-8981 8866 Fax: +86-755-8427 6832

Email & Skype: info@chipsmall.com Web: www.chipsmall.com

Address: A1208, Overseas Decoration Building, #122 Zhenhua RD., Futian, Shenzhen, China

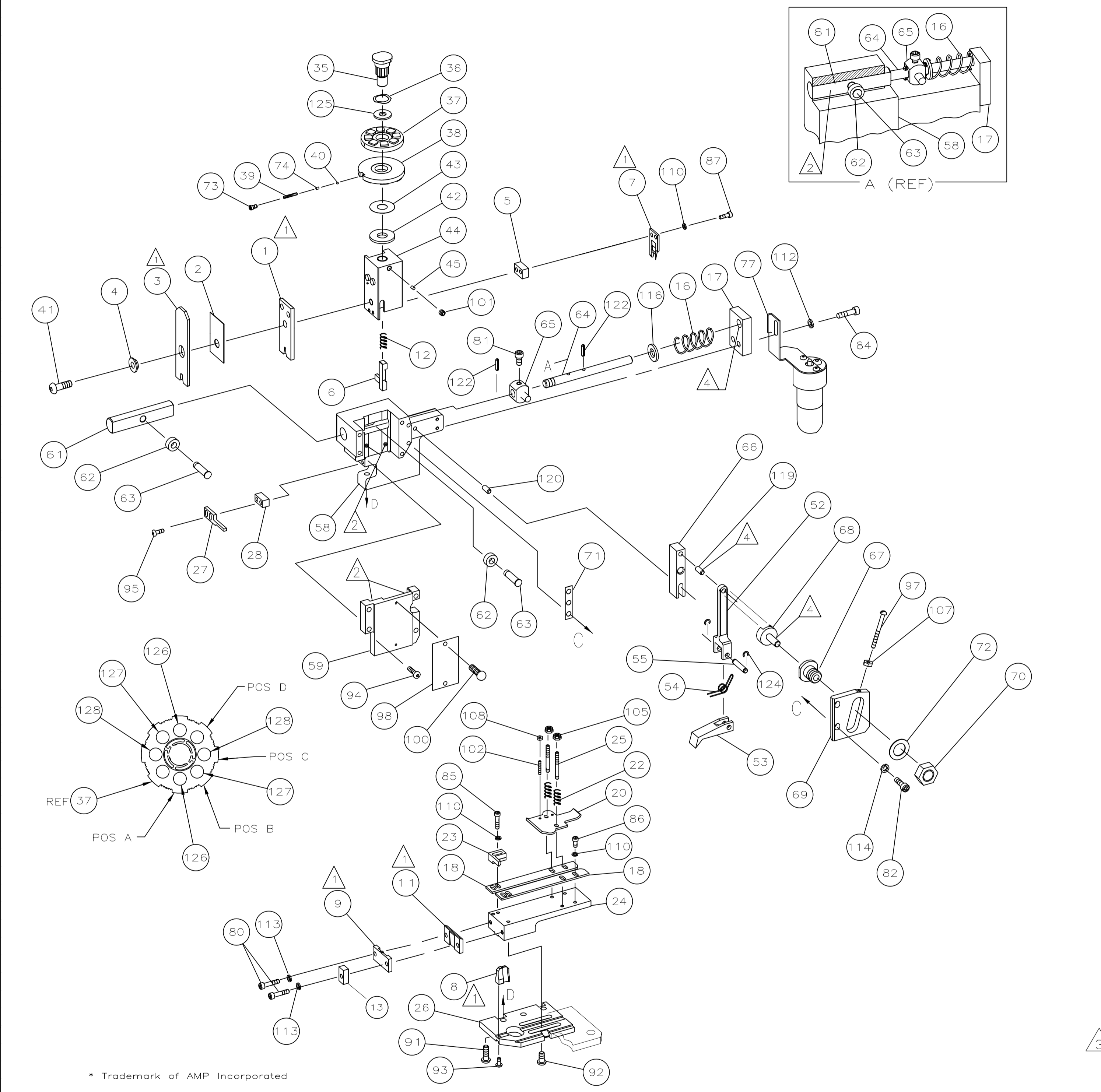


PART NUMBER	REV	FIRST USED	LEADMAKER	MECH POST FEED
687890-1	J	854400-1	LEADMAKER	MECH POST FEED
687890-2	B	565435-5	BENCH MODEL K	MECH POST FEED
687890-3	J	565435-5	BENCH MODEL K	MECH PRE FEED
687890-4	D	565435-5	BENCH MODEL K	MECH PRE FEED
687890-5			SEE DWG 687890-5	
687890-6	J	354500-1	BENCH MODEL G	MECH PRE FEED



TERMINAL NAME:		CRIMPING DATA			
PIN RECEPTACLE		PAD LTR	CRIMP HEIGHT GROUP I	WIRE SIZE	CRIMP HEIGHT GROUP II
GROUP I (.012 THK)	GROUP II (.014 THK)	A	.054 ±.002	18	.058 ±.002
41854	42143	B	.049 ±.002	20	.053 ±.002
41870	42109	C	.046 ±.002	22	.050 ±.002
60031		D	NOT	-	USED
63595		CRIMP	SIZE	TYPE	RANGE
1742350		WIRE	.070	F	22-18
		INSUL	.155	0	.090-.130
		FEED	APPL INST	SET UP GAGE	LAYOUT
		.625	408-8039	458638-1	L27
			WIRE STRIP LENGTH	.140-.170	

LOC	DIST	REVISIONS			
A	66	REV	DESCRIPTION	DATE	BY
		J1	ECR-08-001616	1-2008	MY TE



QTY	REQD	PER	ASSY	PART NO	DESCRIPTION	ITEM NO
2	2	2	-	3-354779-0	PIN, WIRE DISC (.3140)C	129
2	2	2	-	2-354779-4	PIN, WIRE DISC (.3110)B	128
2	2	2	-	1-354779-4	PIN, WIRE DISC (.3060)A	126
1	1	1	-	986950-1	WASHER, FLAT PRECISION	125
REF	REF	REF	-	21045-3	RING, RET "C" (Ø.187)FD PIN	124
REF	REF	REF	-	5-21028-1	PIN, STD SPRING (Ø.12)FD ADJ ROD	123
REF	REF	REF	-	1-21030-7	PIN, DOWEL (Ø.187x1.50)HSG	122
REF	REF	REF	-	1-21030-1	PIN, DOWEL (Ø.187x.50)LEVER	120
REF	REF	REF	-	21899-4	WASHER, FLAT (Ø5/16)SCR ADJ	118
REF	REF	REF	-	21024-5	WASHER, LOCK (NO.10)FD ADJ PL	117
2	2	2	-	21024-5	WASHER, LOCK (NO.10)SHEAR PL	116
REF	REF	REF	-	21024-5	WASHER, LOCK (NO.10)FD ROD GDE	115
7	7	7	-	21024-4	WASHER, LOCK (NO.8)SHEAR BL	114
2	2	2	-	21018-4	NUT, HEX (4-40)DRAG	113
REF	REF	REF	-	21018-5	NUT, HEX (6-32)FD ADJ PL	112
2	2	2	-	21022-2	NUT, HEX SL (8-32)DRAG STUD	111
2	2	2	-	2-21006-6	SCR, SKT SET (4-40x.62)DRAG	110
1	1	1	-	21009-2	SCR, SKT SET (1/4-20x.25)RAM	109
2	2	2	-	21017-2	SCR, DRIVE (#2x.19)ID PLATE	108
1	1	1	-	1-21002-7	SCR, BHC (6-32x.38)CAM	107
1	1	1	-	461264-1	PLATE, IDENTIFICATION	106
REF	REF	REF	-	6-23715-5	SCR, PAN HD (6-32x1.50)FEED ADJ	105
2	2	2	-	2-21002-2	SCR, BHC (8-32x.50)STRIPPER	104
REF	REF	REF	-	2-21002-9	SCR, BHC (10-32x.75)HSG CAP	103
1	1	1	-	22733-8	SCR, BHC (8-32x.38 LW)ANVIL	102
4	4	4	-	3-21002-3	SCR, BHC (1/4-20x.50)ST GD PL	101
REF	REF	REF	-	2-22733-8	SCR, BHC (1/4-20x.62)BASE PL	100
1	1	1	-	690603-1	SPRING, ASSIST	99
1	1	1	-	23030-1	SCR, SKT CAP (6-32x.25)CP DSC	98
REF	REF	REF	-	458109-1	WASHER, FLAT (SPECIAL)	97
REF	REF	REF	-	690517-1	SPACER	96
-3	-2	-1	U/M			95
1	1	1	-	690603-1	SPRING, ASSIST	94
1	1	1	-	23030-1	SCR, SKT CAP (6-32x.25)CP DSC	93
REF	REF	REF	-	458109-1	WASHER, FLAT (SPECIAL)	92
REF	REF	REF	-	690517-1	SPACER	91
-3	-2	-1	U/M			90
1	1	1	-	690603-1	SPRING, ASSIST	89
1	1	1	-	23030-1	SCR, SKT CAP (6-32x.25)CP DSC	88
REF	REF	REF	-	458109-1	WASHER, FLAT (SPECIAL)	87
REF	REF	REF	-	690517-1	SPACER	86
-3	-2	-1	U/M			85
1	1	1	-	690603-1	SPRING, ASSIST	84
1	1	1	-	23030-1	SCR, SKT CAP (6-32x.25)CP DSC	83
REF	REF	REF	-	458109-1	WASHER, FLAT (SPECIAL)	82
REF	REF	REF	-	690517-1	SPACER	81
-3	-2	-1	U/M			80
1	1	1	-	690603-1	SPRING, ASSIST	79
1	1	1	-	23030-1	SCR, SKT CAP (6-32x.25)CP DSC	78
REF	REF	REF	-	458109-1	WASHER, FLAT (SPECIAL)	77
REF	REF	REF	-	690517-1	SPACER	76
-3	-2	-1	U/M			75
1	1	1	-	690603-1	SPRING, ASSIST	74
1	1	1	-	23030-1	SCR, SKT CAP (6-32x.25)CP DSC	73
REF	REF	REF	-	458109-1	WASHER, FLAT (SPECIAL)	72
REF	REF	REF	-	690517-1	SPACER	71
-3	-2	-1	U/M			70
1	1	1	-	690603-1	SPRING, ASSIST	69
1	1	1	-	23030-1	SCR, SKT CAP (6-32x.25)CP DSC	68
REF	REF	REF	-	458109-1	WASHER, FLAT (SPECIAL)	67
REF	REF	REF	-	690517-1	SPACER	66
-3	-2	-1	U/M			65
1	1	1	-	690603-1	SPRING, ASSIST	64
1	1	1	-	23030-1	SCR, SKT CAP (6-32x.25)CP DSC	63
REF	REF	REF	-	458109-1	WASHER, FLAT (SPECIAL)	62
REF	REF	REF	-	690517-1	SPACER	61
-3	-2	-1	U/M			60
1	1	1	-	690603-1	SPRING, ASSIST	59
1	1	1	-	23030-1	SCR, SKT CAP (6-32x.25)CP DSC	58
REF	REF	REF	-	458109-1	WASHER, FLAT (SPECIAL)	57
REF	REF	REF	-	690517-1	SPACER	56
-3	-2	-1	U/M			55
1	1	1	-	690603-1	SPRING, ASSIST	54
1	1	1	-	23030-1	SCR, SKT CAP (6-32x.25)CP DSC	53
REF	REF	REF	-	458109-1	WASHER, FLAT (SPECIAL)	52
REF	REF	REF	-	690517-1	SPACER	51
-3	-2	-1	U/M			50
1	1	1	-	690603-1	SPRING, ASSIST	49
1	1	1	-	23030-1	SCR, SKT CAP (6-32x.25)CP DSC	48
REF	REF	REF	-	458109-1	WASHER, FLAT (SPECIAL)	47
REF	REF	REF	-	690517-1	SPACER	46
-3	-2	-1	U/M			45
1	1	1	-	690603-1	SPRING, ASSIST	44
1	1	1	-	23030-1	SCR, SKT CAP (6-32x.25)CP DSC	43
REF	REF	REF	-	458109-1	WASHER, FLAT (SPECIAL)	42
REF	REF	REF	-	690517-1	SPACER	41
-3	-2	-1	U/M			40
1	1	1	-	690603-1	SPRING, ASSIST	39
1	1	1	-	23030-1	SCR, SKT CAP (6-32x.25)CP DSC	38
REF	REF	REF	-	458109-1	WASHER, FLAT (SPECIAL)	37
REF	REF	REF	-	690517-1	SPACER	36
-3	-2	-1	U/M			35
1	1	1	-	690603-1	SPRING, ASSIST	34
1	1	1	-	23030-1	SCR, SKT CAP (6-32x.25)CP DSC	33
REF	REF	REF	-	458109-1	WASHER, FLAT (SPECIAL)	32
REF	REF	REF	-	690517-1	SPACER	31
-3	-2	-1	U/M			30
1	1	1	-	690603-1	SPRING, ASSIST	29
1	1	1	-	23030-1	SCR, SKT CAP (6-32x.25)CP DSC	28
REF	REF	REF	-	458109-1	WASHER, FLAT (SPECIAL)	27
REF	REF	REF	-	690517-1	SPACER	26
-3	-2	-1	U/M			25
1	1	1	-	690603-1	SPRING, ASSIST	24
1	1	1	-	23030-1	SCR, SKT CAP (6-32x.25)CP DSC	23
REF	REF	REF	-	458109-1	WASHER, FLAT (SPECIAL)	22
REF	REF	REF	-	690517-1	SPACER	21
-3	-2	-1	U/M			20
1	1	1	-	690603-1	SPRING, ASSIST	19
1	1	1	-	23030-1	SCR, SKT CAP (6-32x.25)CP DSC	18
REF	REF	REF	-	458109-1	WASHER, FLAT (SPECIAL)	17
REF	REF	REF	-	690517-1	SPACER	16
-3	-2	-1	U/M			15
1	1	1	-	690603-1	SPRING, ASSIST	14
1	1	1	-	23030-1	SCR, SKT CAP (6-32x.25)CP DSC	13
REF	REF	REF	-	458109-1	WASHER, FLAT (SPECIAL)	12
REF	REF	REF	-	690517-1	SPACER	11
-3	-2	-1	U/M			10
1	1	1	-	690603-1	SPRING, ASSIST	9
1	1	1	-	23030-1	SCR, SKT CAP (6-32x.25)CP DSC	8
REF	REF	REF	-	458109-1	WASHER, FLAT (SPECIAL)	7
REF	REF	REF	-	690517-1	SPACER	6
-3	-2	-1	U/M			5
1	1	1	-	690603-1	SPRING, ASSIST	4
1	1	1	-	23030-1	SCR, SKT CAP (6-32x.25)CP DSC	3
REF	REF	REF	-	458109-1	WASHER, FLAT (SPECIAL)	2
REF	REF	REF	-	690517-1	SPACER	1
-3	-2	-1	U/M			

REF	REF	REF	REF	QTY	REQD	PER	ASSY	PART NO	DESCRIPTION	ITEM NO
REF	REF	REF	REF	-	-	-	-	22594-8	NUT, HEX	70
REF	REF	REF	REF	-	-	-	-	240628-1	PLATE, ADJ	69
REF	REF	REF	REF	-	-	-	-	240626-1	SHAFT, PIVOT	68
REF	REF	REF	REF	-	-	-	-	240633-1	BUSHING	67
REF	REF	REF	REF	-	-	-	-	455680-1	LEVER, INTERMEDIATE	66
REF	REF	REF	REF	-	-	-	-	240629-1	BLOCK, PIVOT	65
REF	REF	REF	REF	-	-	-	-	240632-2	SCR, ADJ	64
REF	REF	REF	REF	-	-	-	-	240659-3	PIN, CAM ROLLER	63
REF	REF	REF	REF	-	-	-	-	240658-1	CAM, ROLLER	62
REF	REF	REF	REF	-	-	-	-	454398-1	ROD, FEED	61
REF	REF	REF	REF	-	-	-	-	454220-1	CAP, RAM	60
REF	REF	REF	REF	-	-	-	-	453736-1	HOUSING	59
REF	REF	REF	REF	-	-	-	-	240624-1	PIN, FEED FINGER	57
REF	REF	REF	REF	-	-	-	-	691499-1	SPRING, FEED FINGER	56
REF	REF	REF	REF	-	-	-	-	240635-1	FINGER, FEED	55
REF	REF	REF	REF	-	-	-	-	240634-1	LEVER, TERMINAL	54
REF	REF	REF	REF	-	-	-	-	690602-6	CAM, PRE-FEED 1 5/8 ST	53
REF	REF	REF	REF	-	-	-	-	690602-5	CAM, PRE-FEED 1 1/8 ST	52
REF	REF	REF	REF	-	-	-	-	690501-4	CAM, POST-FEED 1 5/8 ST	51
REF	REF	REF	REF	-	-	-	-	690191-1	PLUG, NYLON	50
REF	REF	REF	REF	-	-	-	-	455674-1	RAM	49
REF	REF	REF	REF	-	-	-	-	690125-1	WASHER, LAMINATED	48
REF	REF	REF	REF	-	-	-	-	690124-1	WASHER, RAM	47
REF	REF	REF	REF	-	-	-	-	7-21002-9	BOLT, CRIMPER (5/16-24x1.00)	46
REF	REF	REF	REF	-	-	-	-	23241-6	BALL, STEEL	45
REF	REF	REF	REF	-	-	-	-	690170-1	SPRING, COMPRESSION	44
REF	REF	REF	REF	-	-	-	-	690142-1	DISC, INSULATION	43
REF	REF	REF	REF	-	-	-	-	354777-1	WIRE DISC, PLASTIC	42
REF	REF	REF	REF	-	-	-	-	22480-5	WASHER, SPRING	41
REF	REF	REF	REF	-	-	-	-	690212-1	POST, RAM	40
REF	REF	REF	REF	-	-	-	-	458980-1	APPLICATOR, BASIC (SUB ASSY)	39
REF	REF	REF	REF	-	-	-	-	3-690451-2	SPACER, STRIPPER	38
REF	REF	REF	REF	-	-	-	-	240639-1	STRIPPER	37
REF	REF	REF	REF	-	-	-	-	455676-1	PLATE, BASE	36
REF	REF	REF	REF	-	-	-	-	22354-8	DRAG, STUD	35
REF	REF	REF	REF	-	-	-	-	455678-1	PLATE, STRIP GUIDE	34
REF	REF	REF	REF	-	-	-				