



Chipsmall Limited consists of a professional team with an average of over 10 year of expertise in the distribution of electronic components. Based in Hongkong, we have already established firm and mutual-benefit business relationships with customers from,Europe,America and south Asia,supplying obsolete and hard-to-find components to meet their specific needs.

With the principle of "Quality Parts,Customers Priority,Honest Operation,and Considerate Service",our business mainly focus on the distribution of electronic components. Line cards we deal with include Microchip,ALPS,ROHM,Xilinx,Pulse,ON,Everlight and Freescale. Main products comprise IC,Modules,Potentiometer,IC Socket,Relay,Connector.Our parts cover such applications as commercial,industrial, and automotives areas.

We are looking forward to setting up business relationship with you and hope to provide you with the best service and solution. Let us make a better world for our industry!



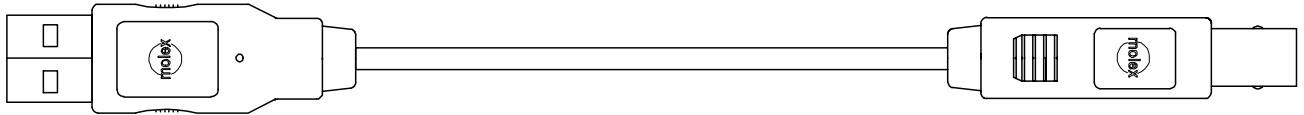
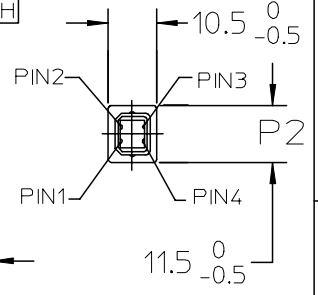
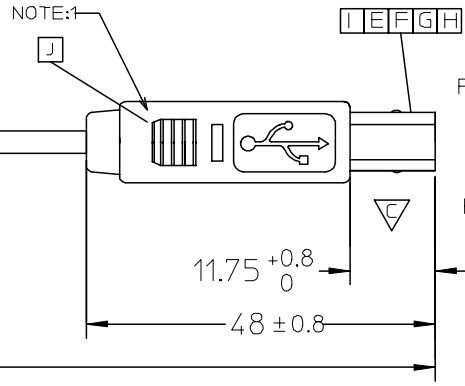
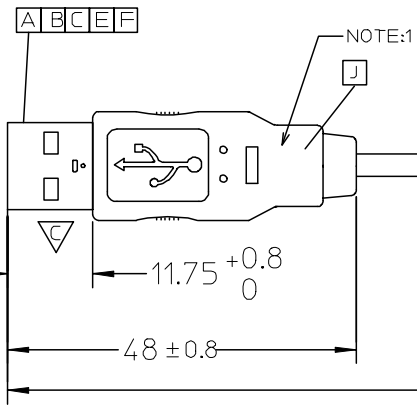
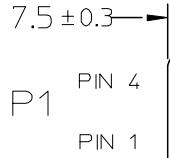
## Contact us

Tel: +86-755-8981 8866 Fax: +86-755-8427 6832

Email & Skype: info@chipsmall.com Web: www.chipsmall.com

Address: A1208, Overseas Decoration Building, #122 Zhenhua RD., Futian, Shenzhen, China





NOTE:  
 1. OUTER MOLDED WITH BLK PVC RESIN 887800019  
 2. ALL COMPONENT MUST MEET RoHS REQUIREMENT.

SHELL	SHELL	SHIELDING	BRAID WIRE
4	4	GROUND	BLACK
3	3	+DATA	GREEN
2	2	-DATA	WHITE
1	1	VCC	RED
P 1	P 2	SIGNAL NAME	WIRE COLOR

ITEM	DESCRIPTION	L	QTY.
J	COPPER FOIL 887801083		2
I	USB B REAL SHELL 887809082		1
H	USB B FRONT SHELL 887809081		1
G	HOUSING 887809085		1
F	TERMINAL 887809090 (AWG24)		4
E	TERMINAL 887809091 (AWG28)		4
D	USB 2.0 CABLE #28x1P #24x2C ; 172000493	2M Ref.	1
C	USB A REAR SHELL 887809084		1
B	USB A FRONT SHELL 887809083		1
A	CRIMP HOUSING 887809086		1

ENTER DESCRIPTION EC NO: DG2006-0078 DRWN: PHZHU CHKD: APPR: DQLUO	2005/10/15 2005/10/19 2005/10/20	QUALITY SYMBOLS ▽=0 ◻=0	GENERAL TOLERANCES (UNLESS SPECIFIED)		DIMENSION STYLE MM ONLY		SCALE ---	DESIGN UNITS METRIC	THIRD ANGLE PROJECTION		
				mm	INCH	DRAWN BY PHZHU	DATE 2005/10/06	TITLE USB2.0 TYPE A/B BLK 6.6'			
			4 PLACES	± ---	± ---	CHECKED BY PHZHU	DATE 2005/10/06	MOLEX INCORPORATED			
			3 PLACES	± ---	± ---	APPROVED BY ZXDENG	DATE 2005/10/06				
2 PLACES	± ---	± ---	ANGULAR ±1/2°		MATERIAL NO. 68806-0004	DOCUMENT NO. SD-68806-004	SHEET NO. 1 OF 1				
1 PLACE	± ---	± ---	DRAFT WHERE APPLICABLE MUST REMAIN WITHIN DIMENSIONS		SIZE A/4	THIS DRAWING CONTAINS INFORMATION THAT IS PROPRIETARY TO MOLEX INCORPORATED AND SHOULD NOT BE USED WITHOUT WRITTEN PERMISSION					