



Chipsmall Limited consists of a professional team with an average of over 10 year of expertise in the distribution of electronic components. Based in Hongkong, we have already established firm and mutual-benefit business relationships with customers from,Europe,America and south Asia,supplying obsolete and hard-to-find components to meet their specific needs.

With the principle of “Quality Parts,Customers Priority,Honest Operation,and Considerate Service”,our business mainly focus on the distribution of electronic components. Line cards we deal with include Microchip,ALPS,ROHM,Xilinx,Pulse,ON,Everlight and Freescale. Main products comprise IC,Modules,Potentiometer,IC Socket,Relay,Connector.Our parts cover such applications as commercial,industrial, and automotives areas.

We are looking forward to setting up business relationship with you and hope to provide you with the best service and solution. Let us make a better world for our industry!



Contact us

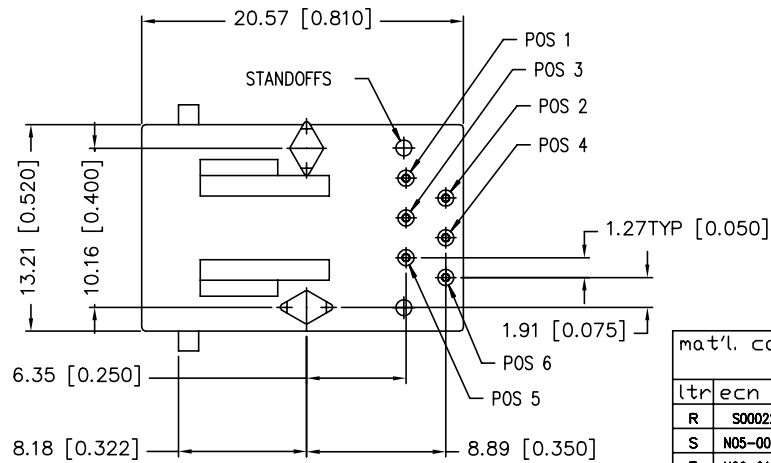
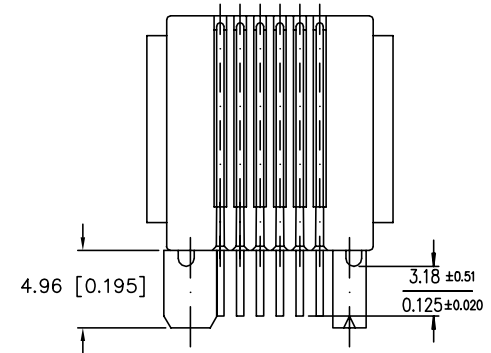
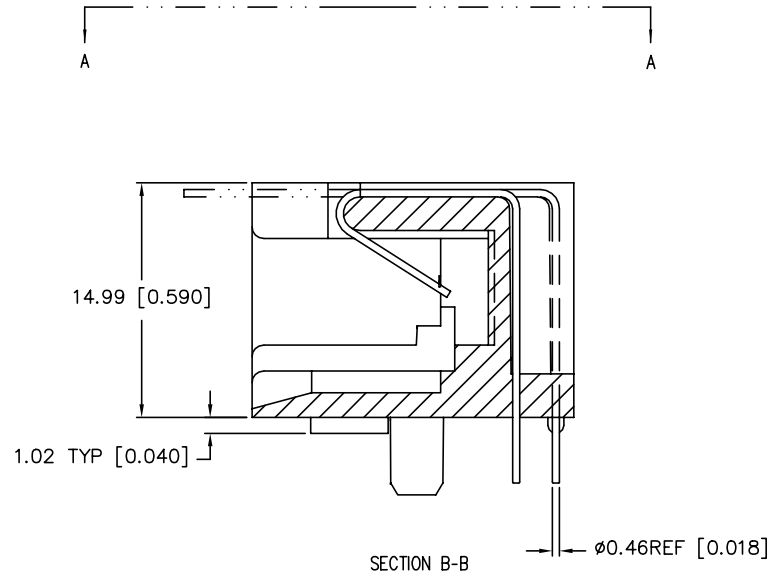
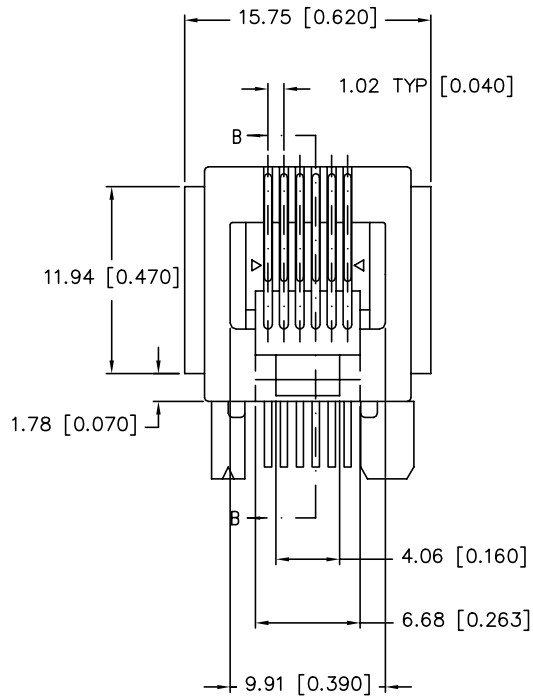
Tel: +86-755-8981 8866 Fax: +86-755-8427 6832

Email & Skype: info@chipsmall.com Web: www.chipsmall.com

Address: A1208, Overseas Decoration Building, #122 Zhenhua RD., Futian, Shenzhen, China

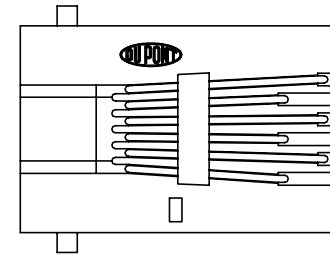


PRODUCT NO.
SEE TABLE



mat'l. code		surface ISO1302 ✓		tolerance ISO1101 ISO406		projection ISO1101		product family MOD JACK		
l trechn nodr		date		tolerances unless otherwise specified		mm		title		
R	S00022	BC L	01/26/00	angle	0.X±0.3	scale 2.0		6 POS HORIZONTAL		
S	N05-0002	YS	01/07/05	radius	0.XX±0.15			P.C.B. MOD JACK ASSY		
T	N06-0130	LONG	5/15/06	0°±2'	0.XXX±0.05			dwg no		
U	N08-0097	SH MMQ	5/10/08	dr	JANET	01/26/00	sheet 1 of 2		size	
V	ELX-N-010699	SH MMQ	03/14/12	engr	TONY CHIEN	01/26/00	FCI		A4	
				chr	TONY CHIEN	01/26/00	68898			
				appd	JENN TSAO	01/26/00	type Product Customer Drawing			
sheet index	revision	v	v							
	sheet	1	2							

PRODUCT NO. (NOTE 1)	POSITIONS LOADED	CONTACT PLATING	HOUSING COLOR	EARS	REMARKS
68898-001/-001LF	ALL	5u" Au + high performance lubricant @ TM	BLACK	YES	-
68898-001R/-001RLF	ALL	5u" Au + high performance lubricant @ TM	RED	YES	-
68898-001G/-001GLF	ALL	5u" Au + high performance lubricant @ TM	GREEN	YES	-
-002/-002LF	2,3,4,5	5u" Au + high performance lubricant @ TM	BLACK	YES	-
-003/-003LF	3,4	5u" Au + high performance lubricant	BLACK	YES	-
-004/-004LF	2,3,4,5	5u" Au + high performance lubricant	BLACK	YES	-
-005/-005LF	ALL	5u" Au + high performance lubricant	BLACK	YES	-
-006/-006LF	3,4	5u" Au + high performance lubricant @ TM	BLACK	YES	-
-007	2,3,4,5	GXT @ TM	GRAY	YES	OBSOLETE
-008/-008LF	ALL	5u" Au + high performance lubricant	BLACK	NO	-
-009/-009LF	2,3,4,5	1,27um /50u" GXT	BLACK	YES	-
-010/-010LF	ALL	1,27um /50u" GXT	BLACK	YES	-
-011/-011LF	2,3,4,5	2u" GXT	BLACK	YES	-
-012/-012LF	2,3,4,5	6u" GXT	BLACK	YES	-
-013/-013LF	ALL	5u" Au + high performance lubricant @ TM	BLACK	YES	HI TEMP MATERIAL
-014/-014LF	3,4	6u" GXT	BLACK	YES	-
-015/-015LF	3,4	5u" Au + high performance lubricant @ TM	BLACK	NO	-
-016/-016LF	2,3,4,5	5u" Au + high performance lubricant @ TM	BLACK	NO	-
-017LF	ALL	5u" Au + high performance lubricant @ TM	BLACK	YES	-



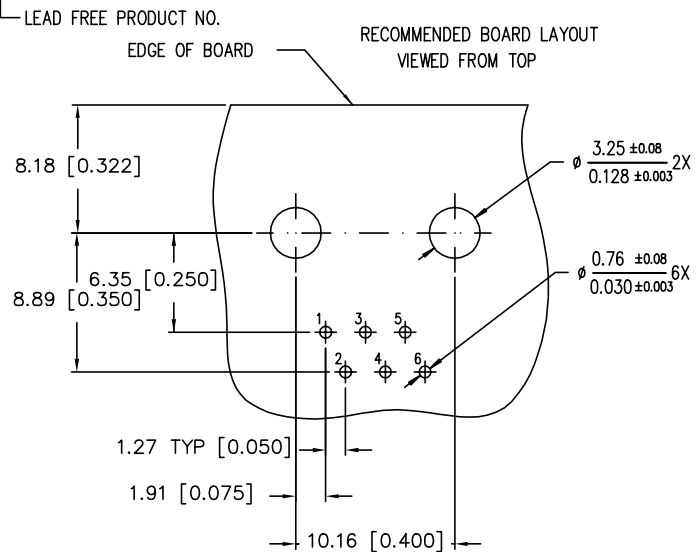
VIEW A-A

NOTES :

- WHEN PRODUCT CALLS FOR PACKAGING IN TRAY ORDER THE PRODUCT WITH PART NUMBER 68898-XXXT OR -XXXTLF FOR PACKAGING IDENTIFICATION. FOR PRODUCT NUMBER WITHOUT SUFFIX "T" OR "TLF", THE PRODUCT WILL BE PACKED IN TUBE AS PER DUPONT STANDARD PACKAGING.
- THIS PRODUCT MEETS EUROPEAN UNION DIRECTIVES AND OTHER COUNTRY REGULATIONS AS DESCRIBED IN GS-22-008.
- IF LF P/N PACKAGING MEETS GS-14-920 SPECIFICATION.
- THE HOUSING WILL WITHSTAND EXPOSURE TO 260°C PEAK TEMPERATURE FOR 10 SECONDS IN A WAVE SOLDER APPLICATION WITH A 1.60mm MINIMUM THICK CIRCUIT BOARD.
- FOR 68898-013/013LF THE HOUSING WILL WITHSTAND EXPOSURE TO 260°C PEAK TEMPERATURE FOR 10 SECONDS IN A CONVECTION, INFRA-RED OR VAPOR PHASE REFLOW OVEN.
- EQUIVALENT THICKNESS Au AND GXT PLATING HAVE SAME FUNCTION AND THEY ARE ALTERNATIVE BY THE CUSTOMER .

A

A



B

mat'l. code		surface		tolerance		projection		product family	
IS1302		IS1101 ISD406		tolerances unless otherwise specified		mm		MOD JACK	
l	tr	ec	n	no	dr	date	angle	title	
R	S00022	BC	L	01/26/00	0°	0.1X±0.3	mm	6 POS HORIZONTAL	
S	N05-0002	YS	01/07/05	0°	0.1X±0.15	mm	P.C.B. MOD JACK ASSY		
T	N06-0130	LONG	5/15/06	0°±2'	0.1XX±0.05	scale 2.0			
U	N08-0097	SH	MMQ	5/10/08	dr	JANET	01/26/00	dwg no	
V	ELX-N-010693	SH	MMQ	03/14/12	engr	TONY CHIEN	01/26/00	sheet 2 of 2	
					chr	TONY CHIEN	01/26/00	size	
					appd	JENN TSAO	01/26/00	A4	
sheet		revision						type	
index		sheet						Product Customer Drawing	

B