



Chipsmall Limited consists of a professional team with an average of over 10 year of expertise in the distribution of electronic components. Based in Hongkong, we have already established firm and mutual-benefit business relationships with customers from,Europe,America and south Asia,supplying obsolete and hard-to-find components to meet their specific needs.

With the principle of “Quality Parts,Customers Priority,Honest Operation,and Considerate Service”,our business mainly focus on the distribution of electronic components. Line cards we deal with include Microchip,ALPS,ROHM,Xilinx,Pulse,ON,Everlight and Freescale. Main products comprise IC,Modules,Potentiometer,IC Socket,Relay,Connector.Our parts cover such applications as commercial,industrial, and automotives areas.

We are looking forward to setting up business relationship with you and hope to provide you with the best service and solution. Let us make a better world for our industry!



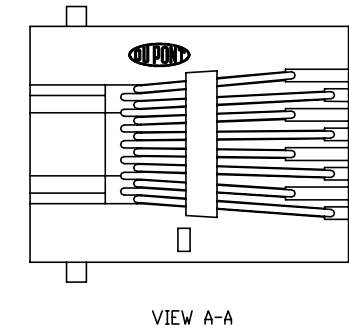
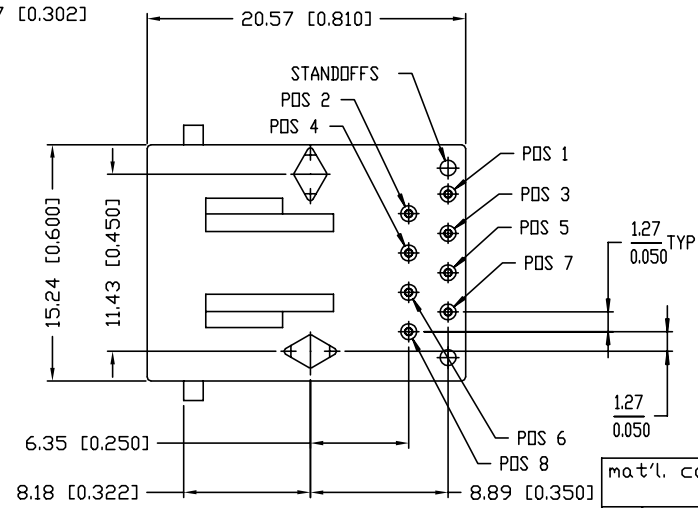
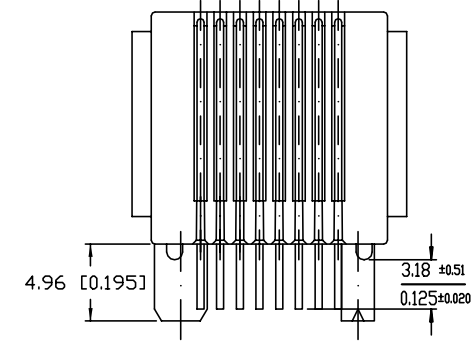
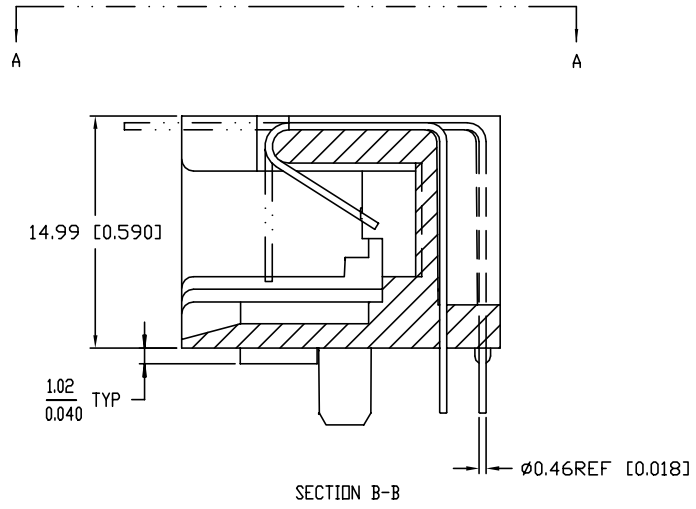
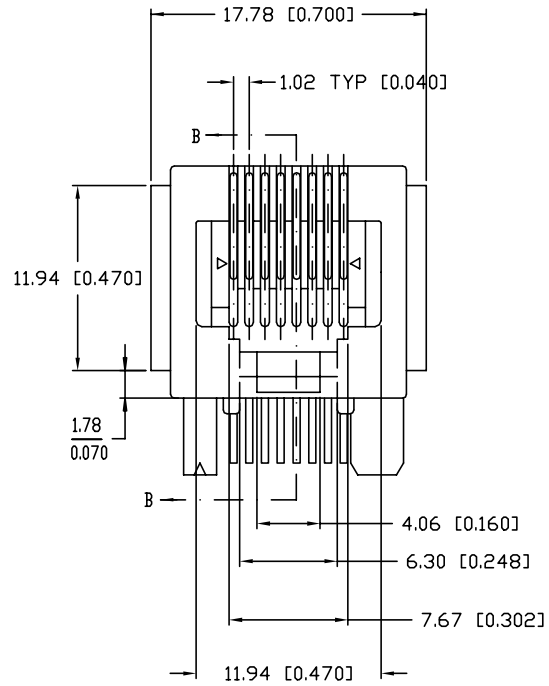
Contact us

Tel: +86-755-8981 8866 Fax: +86-755-8427 6832

Email & Skype: info@chipsmall.com Web: www.chipsmall.com

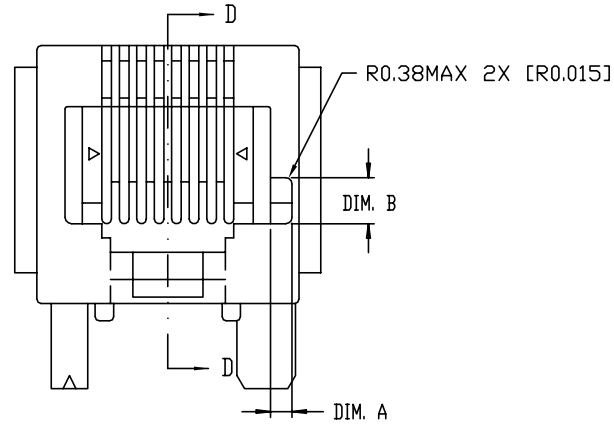
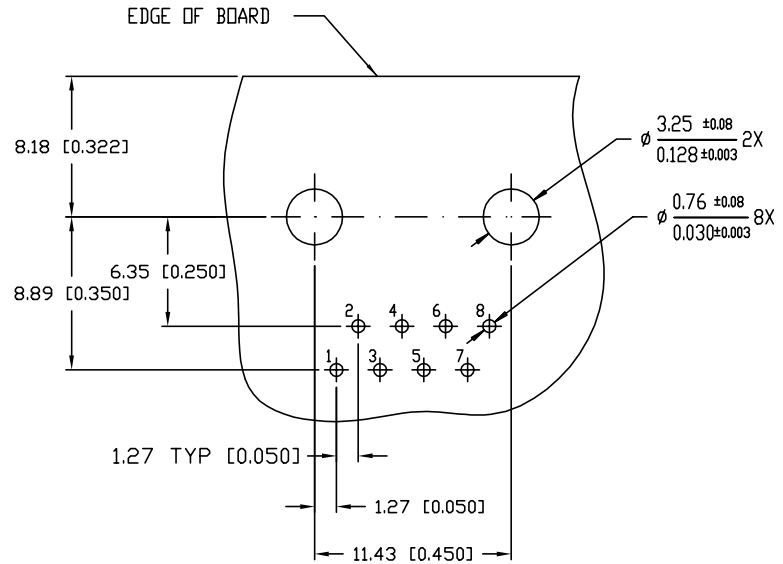
Address: A1208, Overseas Decoration Building, #122 Zhenhua RD., Futian, Shenzhen, China



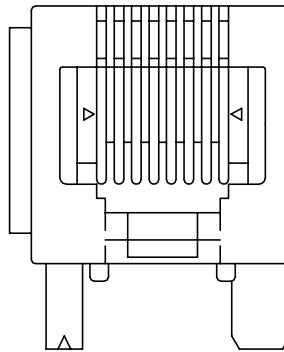


mat'l. code		surface ISO1302 ✓		tolerance ISO1101 ISO406		projection ISO 10110		product family MOD JACK	
trecn nodr		date		tolerances unless otherwise specified		mm		title	
T	ECR S00022 BC LOH	26JAN.00		angle 0°		0.X±0.3		8 POS HORIZONTAL P.C.B. MOD JACK ASSY	
U	ECR V10424 BLNOWER	12FEB.01		0°±2'		0.XX±0.15			
V	N05-0002 YS	06JAN.01				0.XXX±0.05		scale 2.0	
W	N08-0074 SH MMD	30APR.08		dr	JANET	15JUN.98		dwg no	
X	ELX-N-010667 SH MMD	13MAR.12		engr	JANET	15JUN.98		sheet 1 of 3	
				chr	M CHENG	19FEB.01		size	
				appd	M CHENG	19FEB.01		A4	
sheet	revision	x	x	x				type Product Customer Drawing	
index	sheet	1	2	3					

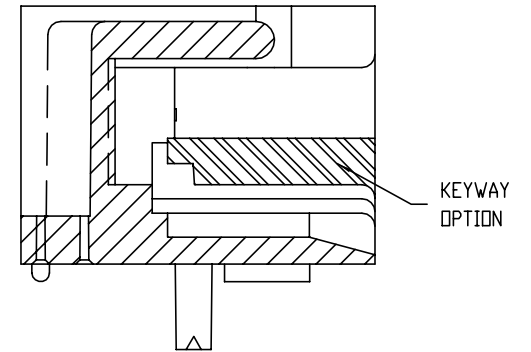
RECOMMENDED BOARD LAYOUT
VIEWED FROM TOP



KEYED STYLE



LEFT EAR MOUNTING



SECTION D-D

NOTE :

- 1 THIS PRODUCT MEETS EUROPEAN UNION DIRECTIVES AND OTHER COUNTRY REGULATIONS AS DESCRIBED IN GS-22-008.
- 2 THE HOUSING WILL WITHSTAND EXPOSURE TO 260°C PEAK TEMPERATURE FOR 10 SECONDS IN A WAVE SOLDER APPLICATION WITH A 1.60mm MINIMUM THICK CIRCUIT BOARD.
- 3 IF LF P/N PACKAGING MEETS GS-14-920 SPECIFICATION.

mat'l. code		surface		tolerance		projection		product family	
l t r e c n n o d r		ISO1302 ✓		ISO1101 ISO406				MOD JACK	
date		tolerances unless otherwise specified		mm		title		8 POS HORIZONTAL	
T	ECR S00022 BC LOH 26JAN.00	0.X±0.3		scale 2.0		P.C.B. MOD JACK ASSY		dwg no	
U	ECR V10424 ALBROWER 12FEB.01	0.XX±0.15		sheet 2 of 3		size		68899 A4	
V	N05-0002 YS 06JAN.01	0'±2"		0.XXX±0.05		type		Product Customer Drawing	
W	N08-0074 SH MMD 30APR.08	dr		JANET 15JUN.98		FCI			
X	ELX-N-010667 SH MMD 13MAR.12	enr		JANET 15JUN.98					
		chr		M CHENG 19FEB.01					
		appd		M CHENG 19FEB.01					
sheet index	revision sheet								



PRODUCT NO.	DIM. A	DIM. B	STYLE	POSITIONS LOADED	CONTACT PLATING	HOUSING COLOR	MOUNTING EARS	REMARKS
68899-001 -001LF	-	-	UNKEYED	ALL	0.76um /30*u GXT	BLACK	YES	-
-002 -002LF	1.25 /0.050	2.69 /0.106	KEYED	ALL	5u' Au + high performance lubricant	BLACK	YES	-
-003 -003LF	-	-	UNKEYED	2,3,4,5,6,7	5u' Au + high performance lubricant	BLACK	YES	-
-004 -004LF	-	-	UNKEYED	ALL	5u' Au + high performance lubricant	BLACK	NO	-
-004RLF	-	-	UNKEYED	ALL	5u' Au + high performance lubricant	RED	NO	-
-004GLF	-	-	UNKEYED	ALL	5u' Au + high performance lubricant	GREEN	NO	-
-005 -005LF	-	-	UNKEYED	ALL	5u' Au + high performance lubricant	GRAY	NO	-
-006 -006LF	-	-	UNKEYED	ALL	5u' Au + high performance lubricant	BLACK	YES	-
-007 -007LF	1.25 /0.050	2.69 /0.106	KEYED	ALL	5u' Au + high performance lubricant	BLACK	NO	-
-008 -008LF	-	-	UNKEYED	ALL	5u' Au + high performance lubricant	BLACK	LEFT ONLY	-
-009 -009LF	-	-	UNKEYED	ALL	5u' Au + high performance lubricant	BLACK	RIGHT ONLY	-
-010 -010LF	-	-	UNKEYED	ALL	1,27um /50*u GXT	BLACK	YES	-
-011 -011LF	-	-	UNKEYED	1,4,5,8	5u' Au + high performance lubricant	BLACK	YES	-
-012 -012LF	-	-	UNKEYED	ALL	5u' Au + high performance lubricant	BLACK	NO	-
-013 -013LF	-	-	UNKEYED	ALL	1,27um /50*u GXT	BLACK	NO	-
-014 -014LF	1.25 /0.050	2.69 /0.106	KEYED	ALL	5u' Au + high performance lubricant	BLACK	NO	-
-015 -015LF	1.25 /0.050	2.69 /0.106	KEYED	ALL	1,27um /50*u GXT	BLACK	NO	-

LEAD FREE PRODUCT NO.

mat'l. code		surface ISO1302 <input checked="" type="checkbox"/>		tolerance ISO1101 ISO406		projection 		product family MOD JACK	
l tr ecn nodr		date		tolerances unless otherwise specified		mm		title	
T	ECR S00022 BC LOH	26JAN.00		0.X±0.3		mm		8 POS HORIZONTAL	
U	ECR V10424	12FEB.01		0.XX±0.15		mm		P.C.B. MOD JACK ASSY	
V	N05-0002	YS	06JAN.01	0.XXX±0.05		scale 2.0			
W	N08-0074	SH MMD	30APR.08	dr	JANET	15JUN.98		dwg no	
X	ELX-N-010667	SH MMD	13MAR.12	enr	JANET	15JUN.98		sheet 3 of 3	
				chr	M CHENG	19FEB.01		size	
				appd	M CHENG	19FEB.01		A4	
sheet index		revision sheet						type Product Customer Drawing	

