



Chipsmall Limited consists of a professional team with an average of over 10 year of expertise in the distribution of electronic components. Based in Hongkong, we have already established firm and mutual-benefit business relationships with customers from,Europe,America and south Asia,supplying obsolete and hard-to-find components to meet their specific needs.

With the principle of “Quality Parts,Customers Priority,Honest Operation,and Considerate Service”,our business mainly focus on the distribution of electronic components. Line cards we deal with include Microchip,ALPS,ROHM,Xilinx,Pulse,ON,Everlight and Freescale. Main products comprise IC,Modules,Potentiometer,IC Socket,Relay,Connector.Our parts cover such applications as commercial,industrial, and automotives areas.

We are looking forward to setting up business relationship with you and hope to provide you with the best service and solution. Let us make a better world for our industry!



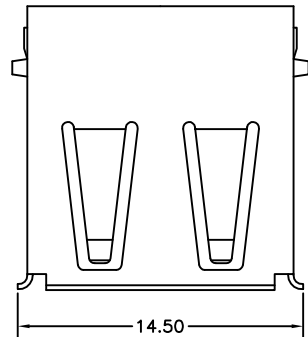
Contact us

Tel: +86-755-8981 8866 Fax: +86-755-8427 6832

Email & Skype: info@chipsmall.com Web: www.chipsmall.com

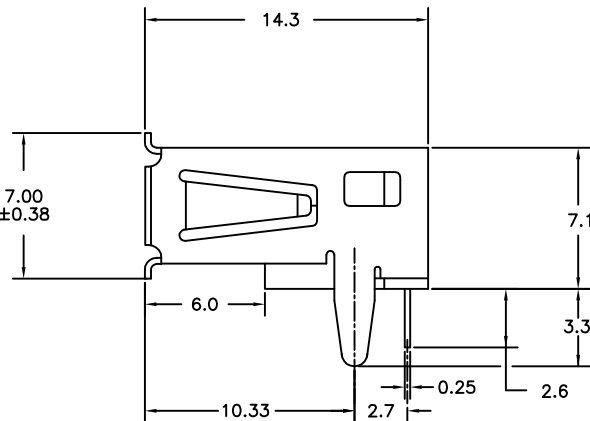
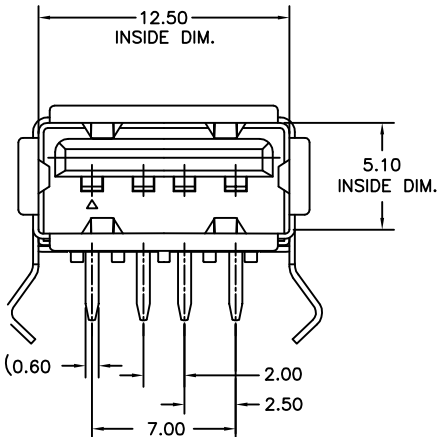
Address: A1208, Overseas Decoration Building, #122 Zhenhua RD., Futian, Shenzhen, China





SPECIFICATIONS:

RECOMMENDED PCB THICKNESS: 1.20
 MATING FORCE: 35N MAX
 UNMATING FORCE: 10N MIN
 PRODUCT SPECIFICATIONS REFER TO
 690-004-X21-013 SPECS
 TEST SUMMARY: REFER TO 690-004-X21-013 SPECS
 PACKAGING: TRAY



THIS IS A C.A.D. GENERATED DRAWING
 DO NOT MAKE MANUAL REVISIONS TO MASTER.

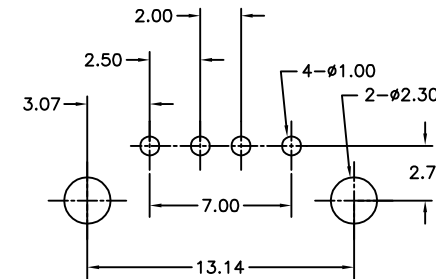


PART NUMBER: 690-004-221-013

CONTACT CODE _____

MATERIALS:

SHELL: COPPER ALLOY, NICKEL PLATED
 CONTACTS: C15191 COPPER ALLOY GOLD PLATING ON
 CONTACT AREA AND BRIGHT TIN PLATING (120u" MAX) ON
 TAIL END ALL OVER NICKEL UNDER PLATING (50u" MAX)
 GOLD PLATING CONTACT CODE
 GOLD FLASH 221 CONTACT CODE
 15 MICROINCHES OF GOLD 321 CONTACT CODE
 30 MICROINCHES OF GOLD 621 CONTACT CODE
 INSULATOR: THERMOPLASTIC, UL 94V-0



PC BOARD MOUNTING DIMENSIONS
 TOP VIEW
 TOLERANCE: ±0.05mm
 PCB THICKNESS: 1.2±0.05mm

DIMENSIONS IN MM

ISSUE NUMBER	
PCB LAYOUT ADDED F.BRIONES JAN. 06/07	④
.037(0.95) HOLES WAS .027(.095) F.BRIONES MAY 029/09	⑤
NEW SHELL CLOSED FLANGE R.STA.MONICA SEPT.21/2011	⑥
UPDATE MATERIALS & SPECS R.STA.MONICA JAN.18/2016	⑦
ADD PACKAGING SPECS R.STA.MONICA FEB.04/2016	⑧
DRAWING UPDATED N.SONDH FEB.26/2016	⑨



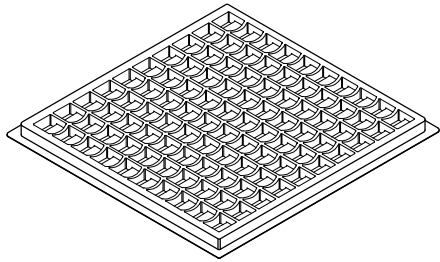
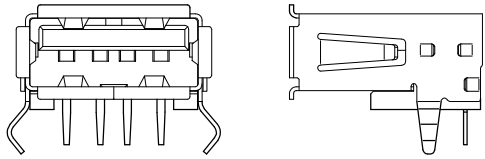
THIS SERIES FULLY CONFORMS TO THE
 EUROPEAN UNION DIRECTIVES
 2011/65/EU FOR RoHS COMPLIANCY.

USB CONNECTOR A TYPE, RIGHT ANGLE, SINGLE DECK

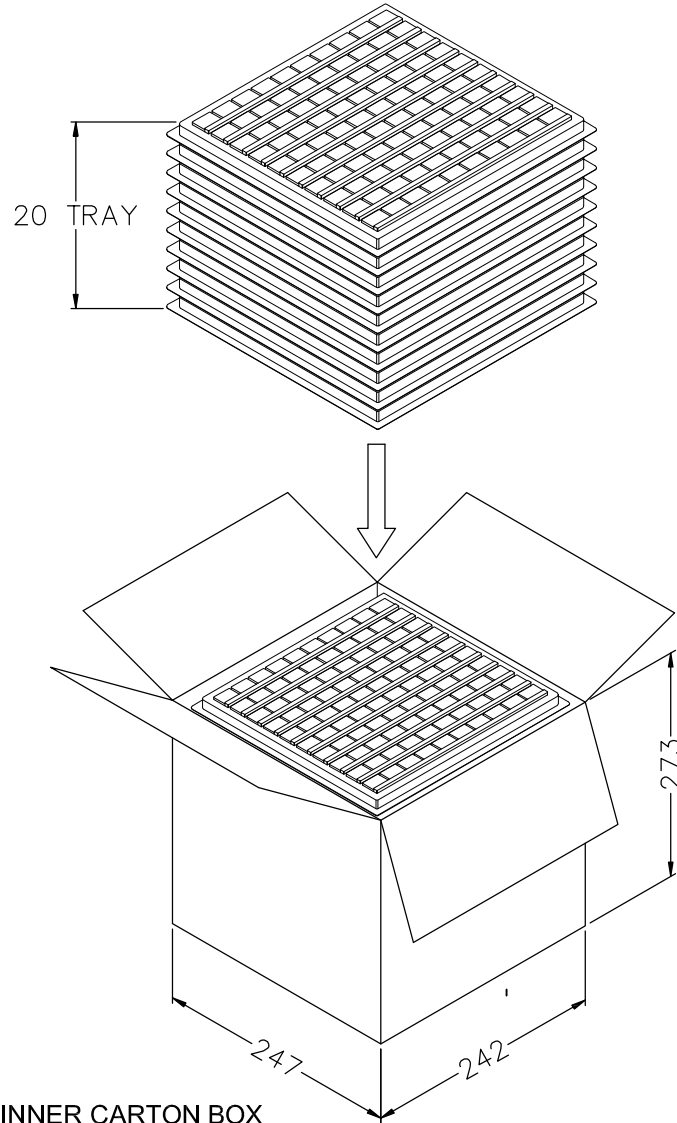
EDAC EDAC INC
 TORONTO, ONTARIO
 CANADA
 YOUR CONNECTION TO QUALITY & SERVICE

THESE DRAWINGS AND SPECIFICATIONS
 ARE THE PROPERTY OF EDAC INC., AND
 SHALL NOT BE REPRODUCED, OR COPIED
 OR USED AS THE BASIS FOR THE
 MANUFACTURE OR SALE OF APPARATUS
 WITHOUT WRITTEN PERMISSION.

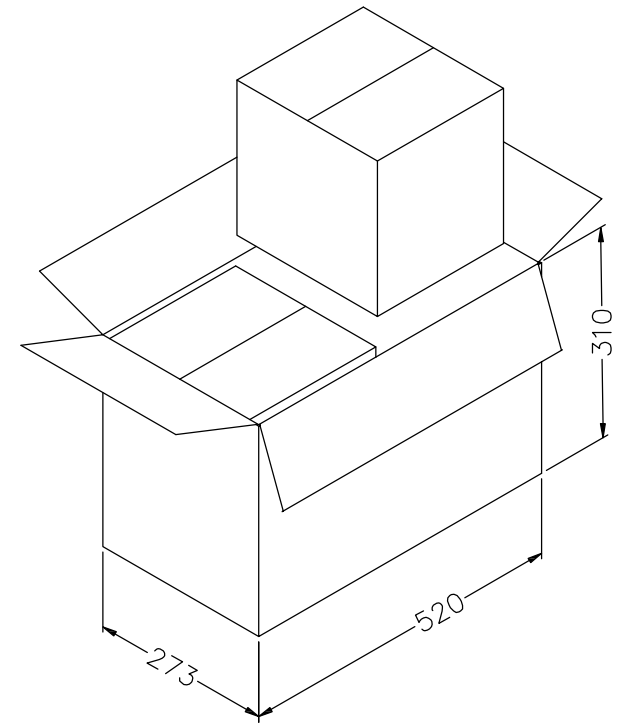
ACAD REFERENCE NO.	690-004-221-013	
DRAWN: F.BRIONES	DATE: FEB.16/98	
CHECKED:	DATE:	
SCALE: (IN C.A.D. 1:1)	SHEET 1 OF 2	
DRAWING NUMBER	690-004-221-013	ISSUE 9



PVC TRAY
QTY: 100PCS PER TRAY



INNER CARTON BOX
20 PVC TRAYS PER CARTON
QTY: 20 X 100 = 2000PCS
DIMENSION IN MM



OUTER CARTON BOX
2 INNER CARTON BOXES PER CARTON
QTY: 2 X 2000 = 4000PCS
DIMENSION IN MM



THIS SERIES FULLY CONFORMS TO THE
EUROPEAN UNION DIRECTIVES
2011/65/EU FOR RoHS COMPLIANCY.

USB CONNECTOR A TYPE, RIGHT ANGLE, SINGLE DECK
PACKAGING SPECIFICATIONS

EDAC EDAC INC
TORONTO, ONTARIO
CANADA
YOUR CONNECTION TO QUALITY & SERVICE

THESE DRAWINGS AND SPECIFICATIONS
ARE THE PROPERTY OF EDAC INC., AND
SHALL NOT BE REPRODUCED, OR COPIED
OR USED AS THE BASIS FOR THE
MANUFACTURE OR SALE OF APPARATUS
WITHOUT WRITTEN PERMISSION.

ACAD REFERENCE NO. 690-004-221-013

DRAWN: F.BRIONES DATE: FEB.16/98

CHECKED: DATE:

SCALE: (IN C.A.D. 1:1) SHEET 2 OF 2

DRAWING NUMBER 690-004-221-013 ISSUE 9