



Chipsmall Limited consists of a professional team with an average of over 10 year of expertise in the distribution of electronic components. Based in Hongkong, we have already established firm and mutual-benefit business relationships with customers from,Europe,America and south Asia,supplying obsolete and hard-to-find components to meet their specific needs.

With the principle of "Quality Parts,Customers Priority,Honest Operation,and Considerate Service",our business mainly focus on the distribution of electronic components. Line cards we deal with include Microchip,ALPS,ROHM,Xilinx,Pulse,ON,Everlight and Freescale. Main products comprise IC,Modules,Potentiometer,IC Socket,Relay,Connector.Our parts cover such applications as commercial,industrial, and automotives areas.

We are looking forward to setting up business relationship with you and hope to provide you with the best service and solution. Let us make a better world for our industry!



Contact us

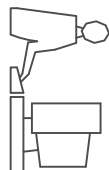
Tel: +86-755-8981 8866 Fax: +86-755-8427 6832

Email & Skype: info@chipsmall.com Web: www.chipsmall.com

Address: A1208, Overseas Decoration Building, #122 Zhenhua RD., Futian, Shenzhen, China

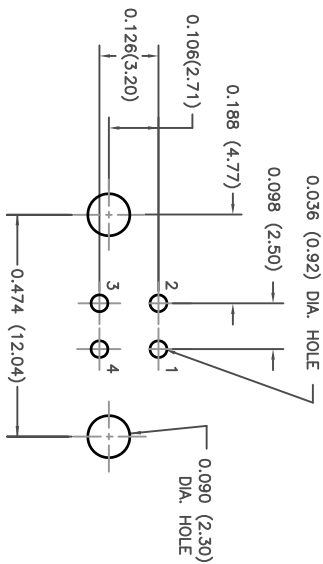


THIS IS A C.A.D. GENERATED DRAWING
DO NOT MAKE MANUAL REVISIONS TO MASTER.

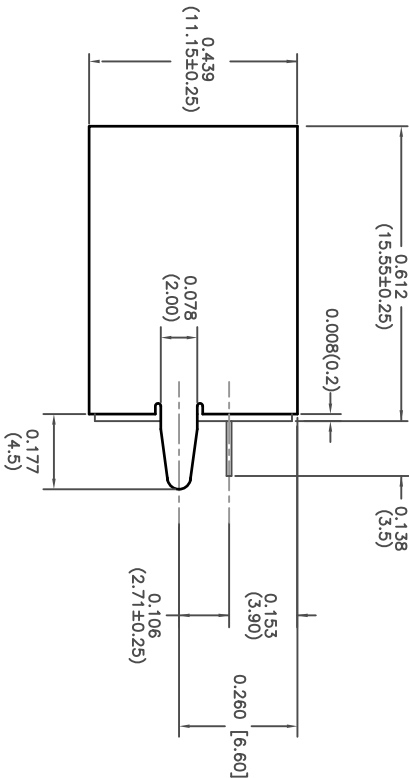
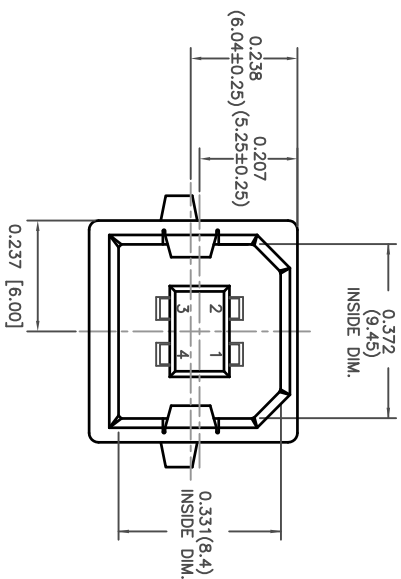
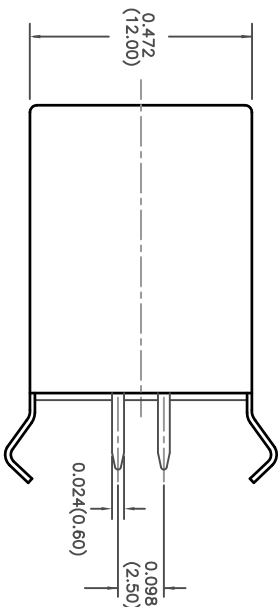


TOLERANCE:
IN MM
.XX ±0.01
.XXX ±0.006
.XXXX ±0.002
MM
.x: ±0.25
.xx: ±0.15
.xxx: ±0.05

ISSUE NUMBER	
ORIGINAL	①
DIM: 0.612(15.55) WAS 0.63(16.0)	
0.439(11.15) WAS 0.445(11.30)	
0.153(3.90) WAS 0.146(3.70) ⑥	
ADD DIM: 0.238(6.04), 0.207(5.25)	
0.177(4.5), 0.078(2.0), 0.024(0.60)	
R. STA. MONICA JUN. 10/2010	



PC BOARD MOUNTING DIMENSIONS



PART NUMBER: 690-004-260-023
CONTACT CODE _____

- SPECIFICATIONS:
1. CONTACT RESISTANCE:
30 MOHM MAX
 2. INSULATION RESISTANCE:
100MOHM MIN AT 500VDC
 3. RATED VOLTAGE AND CURRENT:
1.5A @ 250VAC MIN.
 4. DIELECTRIC WITHSTANDING VOLTAGE:
500VAC (RMS) FOR 1MIN
 5. INSERTION FORCE: 35N MIN
 6. EXTRACTION FORCE: 10N MIN



THIS SERIES FULLY CONFORMS TO THE
EUROPEAN UNION DIRECTIVES 2002/95/EC
AND 2002/96/EC FOR ROHS COMPLIANCY.

USB CONNECTOR B TYPE, VERTICAL, SINGLE DECK

EDAC INC
TORONTO, ONTARIO
CANADA

THESE DRAWINGS AND SPECIFICATIONS
ARE THE PROPERTY OF EDAC INC. AND
SHALL NOT BE REPRODUCED, OR COPIED
OR USED AS THE BASIS FOR THE
MANUFACTURE OR SALE OF APPARATUS
WITHOUT WRITTEN PERMISSION.

ACAD REFERENCE NO.	690-004-260-023
DRAWN: J. CHOW	DATE: OCT 16/98
CHECKED:	DATE:
SCALE: (IN C.A.D. 1:1)	SHEET 1 OF 1
DRAWING NUMBER	ISSUE
690-004-260-023	6

YOUR CONNECTION TO QUALITY & SERVICE