



Chipsmall Limited consists of a professional team with an average of over 10 year of expertise in the distribution of electronic components. Based in Hongkong, we have already established firm and mutual-benefit business relationships with customers from,Europe,America and south Asia,supplying obsolete and hard-to-find components to meet their specific needs.

With the principle of “Quality Parts,Customers Priority,Honest Operation,and Considerate Service”,our business mainly focus on the distribution of electronic components. Line cards we deal with include Microchip,ALPS,ROHM,Xilinx,Pulse,ON,Everlight and Freescale. Main products comprise IC,Modules,Potentiometer,IC Socket,Relay,Connector.Our parts cover such applications as commercial,industrial, and automotives areas.

We are looking forward to setting up business relationship with you and hope to provide you with the best service and solution. Let us make a better world for our industry!



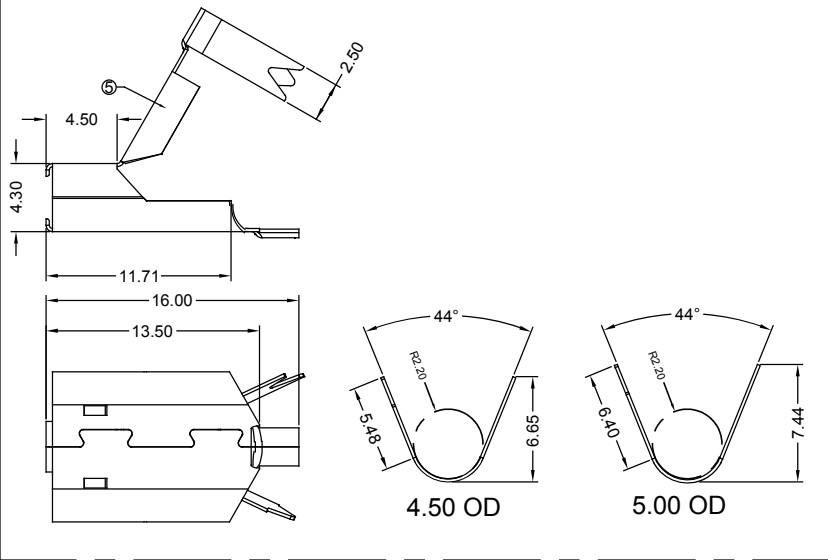
## Contact us

Tel: +86-755-8981 8866 Fax: +86-755-8427 6832

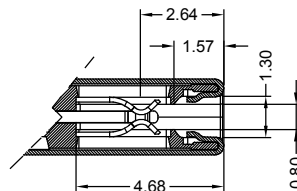
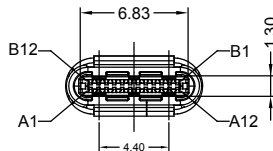
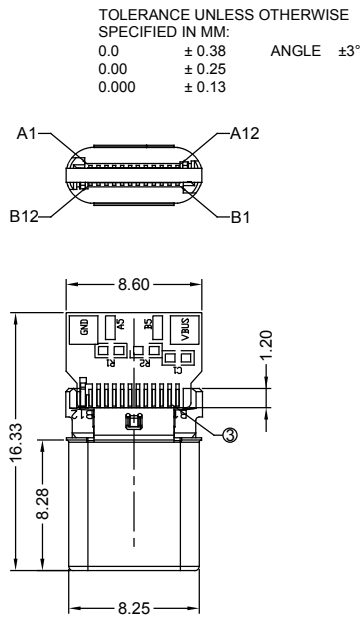
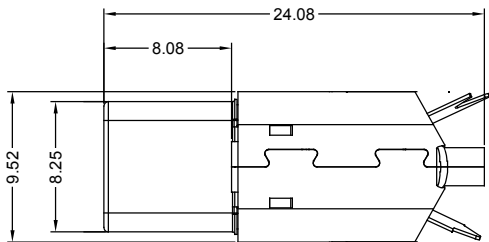
Email & Skype: info@chipsmall.com Web: www.chipsmall.com

Address: A1208, Overseas Decoration Building, #122 Zhenhua RD., Futian, Shenzhen, China

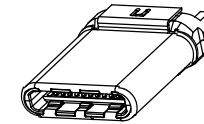




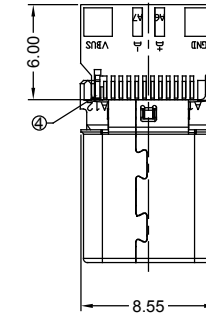
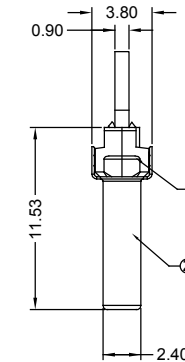
A12	A11	A10	A9	A8	A7	A6	A5	A4	A3	A2	A1
GND	RX2+	RX2-	Vbus	SBU1	D-	D+	CC	Vbus	TX1-	TX1+	GND
GND	TX2+	TX2-	Vbus	Vconn			SBU2	Vbus	RX1-	RX1+	GND
B1	B2	B3	B4	B5	B6	B7	B8	B9	B10	B11	B12



THIS IS A C.A.D. GENERATED DRAWING  
 DO NOT MAKE MANUAL REVISIONS TO MASTER.



ISSUE NUMBER	
ORIGINAL	①
REDRAWN R.STA.MONICA	② SEPT.15/2015
DIMS UPDATE C.B	③ OCT.11/2016
PLATING OPTIONS UPDATE C.B	④ APR.12/2017



NOTES:

1. SPECIFICATIONS

- 1.1 Voltage: 30 V AC (RMS)
- 1.2 Current Rating: 3.0A for Vbus and corresponding GND  
0.25A for all other contacts
- 1.3 Contact Resistance: 30 Milliohms Max. for Vbus and GND  
50 Milliohms Max. for all other contacts
- 1.4 Insulation Resistance: 100 Megohms Min.
- 1.5 Dielectric Withstanding Voltage: 100V AC/Minute
- 1.6 Total Mating Force: 5N~20N at 12.5mm/sec. Max.
- 1.7 Total Unmating Force: 8N~20N at 12.5mm/sec. Max.
- 1.8 Operating Temperature: -55°C to +85°C

2. MATERIAL:

- 2.1 Housing: Thermoplastic, UL 94V-0, Black Color
- 2.2 Shell: Stainless Steel all over Nickel Plating
- 2.3 Contact: Copper Alloy with Gold Plating  
on Contact Area, all over Nickel Plating
- 2.4 GND Latch: Stainless Steel all over Nickel Plating  
Tab with Lead Free Tin Alloy
- 2.5 Back Shell: Stainless Steel all over Nickel Plating

3. PART NUMBER:

- 690-024-260-900 for Gold flash plating
- 690-024-360-900 for 15µ" Gold

USB 3.1 TYPE C TO 2.0 PLUG CONNECTOR

ACAD REFERENCE NO.: 690-024-260-900

DRAWN: R.STA.MONICA

DATE: SEPT.15/2015

CHECKED:

DATE:

PART NUMBER

SEE DRAWING

SHEET 1 OF 1

DRAWING NUMBER

690-024-260-900

ISSUE

4



THIS SERIES FULLY CONFORMS TO THE EUROPEAN UNION DIRECTIVES 2011/65/EU FOR RoHS COMPLIANCE.



EDAC INC  
 TORONTO, ONTARIO  
 CANADA

YOUR CONNECTION TO QUALITY & SERVICE

THESE DRAWINGS AND SPECIFICATIONS ARE THE PROPERTY OF EDAC INC., AND SHALL NOT BE REPRODUCED, OR COPIED OR USED AS THE BASIS FOR THE MANUFACTURE OR SALE OF APPARATUS WITHOUT WRITTEN PERMISSION.