



Chipsmall Limited consists of a professional team with an average of over 10 year of expertise in the distribution of electronic components. Based in Hongkong, we have already established firm and mutual-benefit business relationships with customers from,Europe,America and south Asia,supplying obsolete and hard-to-find components to meet their specific needs.

With the principle of “Quality Parts,Customers Priority,Honest Operation,and Considerate Service”,our business mainly focus on the distribution of electronic components. Line cards we deal with include Microchip,ALPS,ROHM,Xilinx,Pulse,ON,Everlight and Freescale. Main products comprise IC,Modules,Potentiometer,IC Socket,Relay,Connector.Our parts cover such applications as commercial,industrial, and automotives areas.

We are looking forward to setting up business relationship with you and hope to provide you with the best service and solution. Let us make a better world for our industry!



## Contact us

Tel: +86-755-8981 8866 Fax: +86-755-8427 6832

Email & Skype: info@chipsmall.com Web: www.chipsmall.com

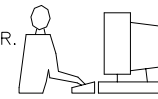
Address: A1208, Overseas Decoration Building, #122 Zhenhua RD., Futian, Shenzhen, China



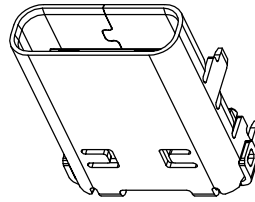
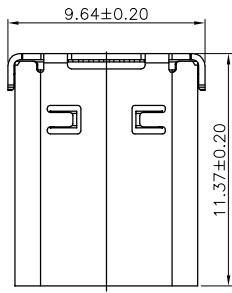
TOLERANCE UNLESS OTHERWISE SPECIFIED IN MM:

0.0	± 0.35	ANGLE	0.	±3°
0.00	± 0.25		0.0	±2°
0.00	± 0.15		0.00	±1°

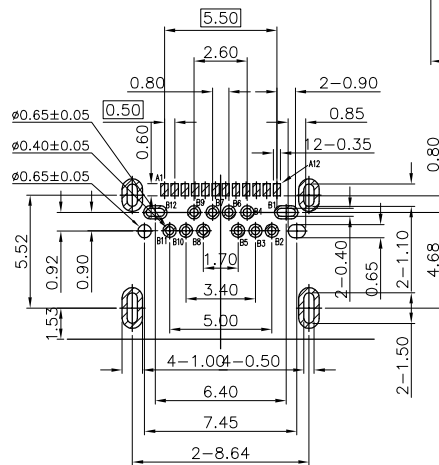
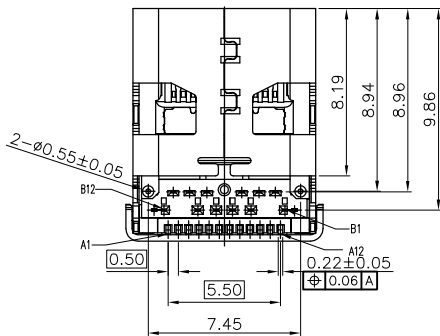
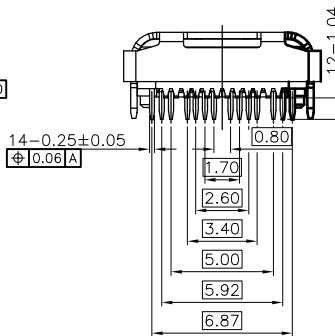
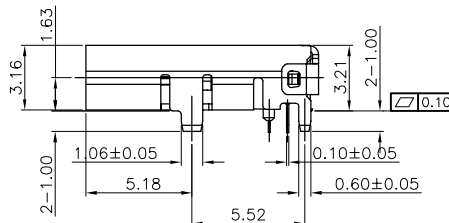
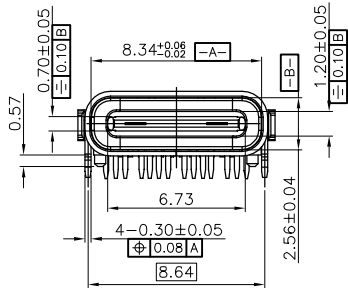
THIS IS A C.A.D. GENERATED DRAWING  
DO NOT MAKE MANUAL REVISIONS TO MASTER.



ISSUE NUMBER  
ORIGINAL ①



3D VIEW



RECOMMENDED PCB LAYOUT (TOP VIEW)  
(THICKNESS=1.0±0.10mm)  
(TOLERANCE=±0.05mm)

NOTES:

- MATERIAL SPECIFICATION
  - SHELL: SUS304R-1/4H T=0.30mm
  - SIGNAL: SUS301R-H T=0.10mm
  - RFI PAD: SUS301R-H T=0.08mm
  - HOUSING: PA46+20%G.F. UL94-V0 BLACK
  - TERMINAL: NKE012R-H T=0.10mm
- PLATING SPECIFICATION
  - CONTACT: GOLD PLATING ON MATING AREA, MATTE Sn 120~200u" ON SOLDERING AREA, 80~150u" NICKEL UNDER PLATING OVERALL
  - SHELL: NICKEL PLATED.
- MECHANICAL PERFORMANCE
  - INSERTION FORCE: 5N~20N.
  - WITHDRAWAL FORCE: 8N~20N.
  - DURABILITY: 10000 CYCLES.
- ELECTRICAL PERFORMANCE
  - CURRENT RATING: 1A.
  - LLCR: CONTACT: 40 mΩ MAX(INITIAL).
  - INSULATION RESISTANCE: UNMATED: 100 MΩ MIN.
  - DIELECTRIC WITHSTAND VOLTAGE: 100V AC.
- IR REFLOW:
 

THE PEAK TEMPERATURE ON BOARD SHALL BE MAINTAINED FOR 10 SECONDS AT 260±5°C.
- OPERATING TEMPERATURE RANGE: -40°C~85°C (WITHOUT LOSS FUNCTION).

PART NUMBERS	
GOLD FLASH	690-024-231-031
15u"GOLD	690-024-331-031
30u"GOLD	690-024-631-031

HYBRID MOUNT (THRU-HOLE AND SURFACE MOUNT)



THIS SERIES FULLY CONFORMS TO THE EUROPEAN UNION DIRECTIVES 2011/65/EU FOR RoHS COMPLIANCY.

USB 3.1 TYPE C FEMALE



EDAC INC  
TORONTO, ONTARIO  
CANADA

YOUR CONNECTION TO QUALITY & SERVICE

THESE DRAWINGS AND SPECIFICATIONS ARE THE PROPERTY OF EDAC INC. AND SHALL NOT BE REPRODUCED, OR COPIED OR USED AS THE BASIS FOR THE MANUFACTURE OR SALE OF APPARATUS WITHOUT WRITTEN PERMISSION.

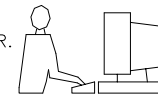
ACAD REFERENCE NO.: 690-024-231-031	
DRAWN: N.SONDH	DATE: JUN.29/2015
CHECKED:	DATE:
PART NUMBER	
SEE TABLE SHEET 1 OF 2	
DRAWING NUMBER	ISSUE
690-024-231-031	1

TOLERANCE UNLESS OTHERWISE SPECIFIED IN MM:

0.0 ±0.35  
0.00 ±0.25  
0.00 ±0.15

ANGLE  
0. ±3°  
0.0 ±2°  
0.00 ±1°

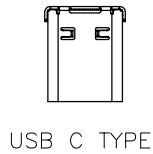
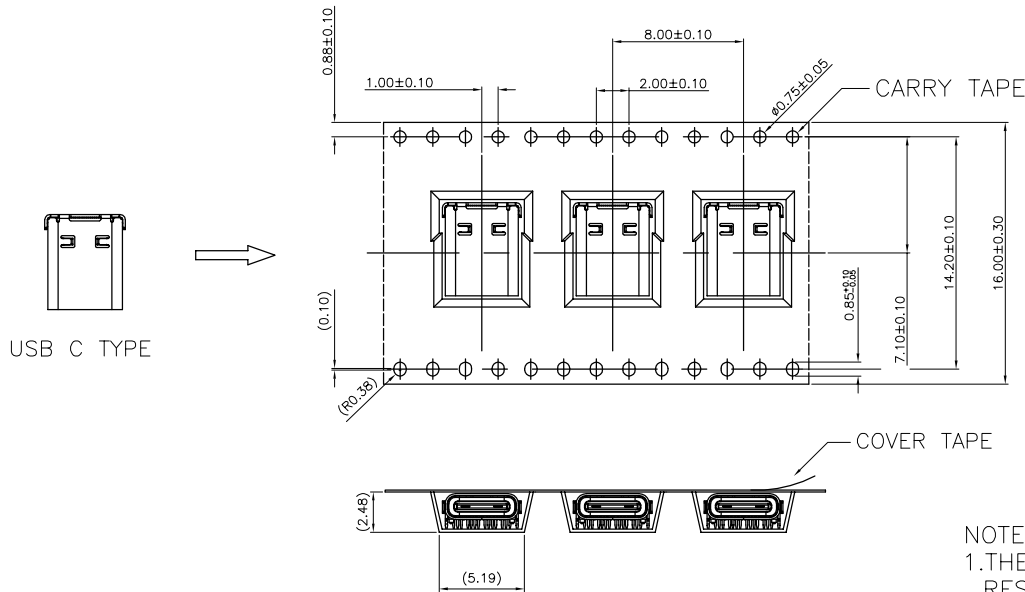
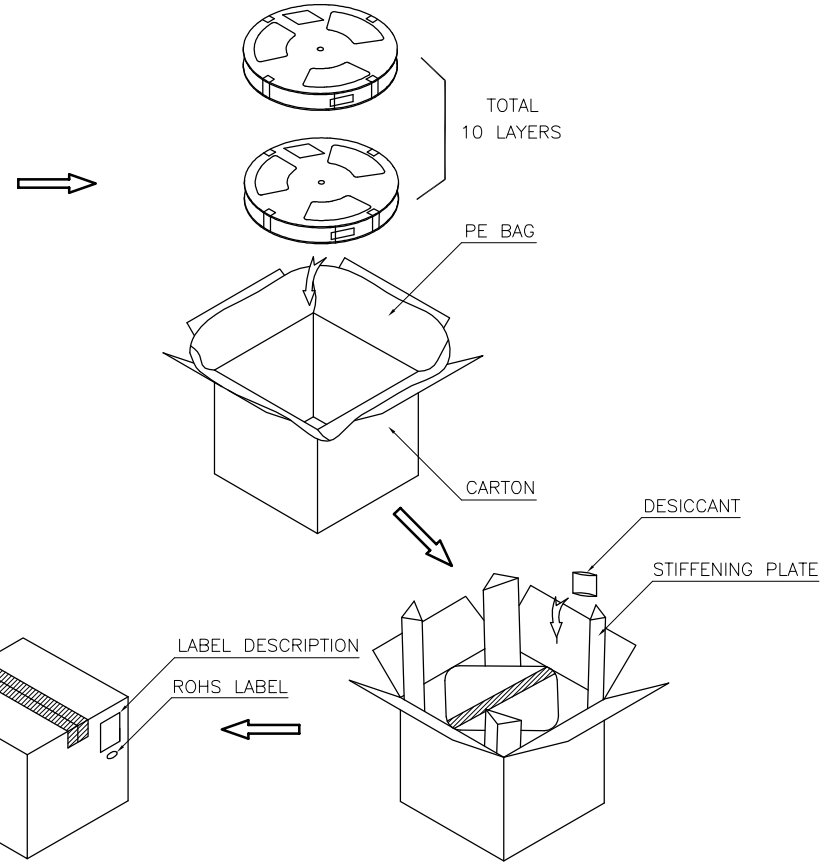
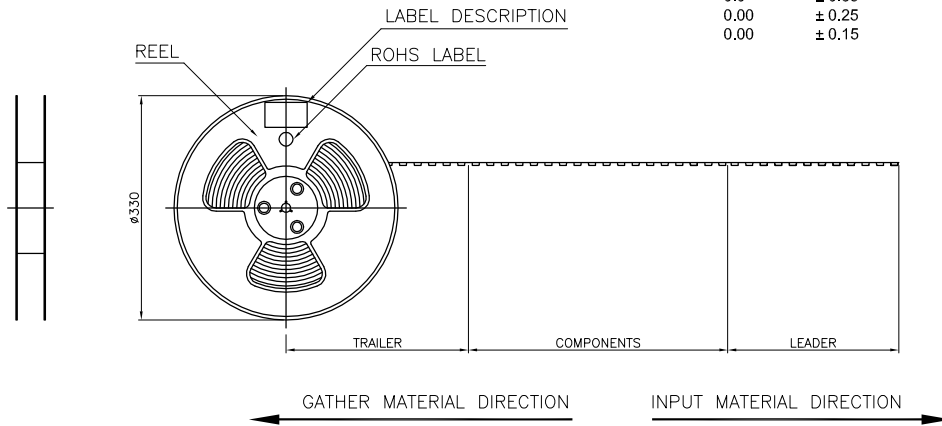
THIS IS A C.A.D. GENERATED DRAWING  
DO NOT MAKE MANUAL REVISIONS TO MASTER.



ISSUE NUMBER

ORIGINAL

1



NOTES:

- 1.THE START AND END OF EACH REEL, BASED ON THE ACTUAL QUANTITY, RESERVED 5--15PCS SPACE;
- 2.COVER TAPE AND CARRY TAPE PEEL: 10g~130g; PEEL DEG.:165°~175°; PEEL SPEED: 250~300mm/min;
- 3.QTY': 800PCS/REEL, 10REEL/CARTON, TOTAL 8000PCS/CARTON;



THIS SERIES FULLY CONFORMS TO THE EUROPEAN UNION DIRECTIVES 2011/65/EU FOR RoHS COMPLIANCY.

USB 3.1 TYPE C FEMALE



EDAC INC  
TORONTO, ONTARIO  
CANADA

YOUR CONNECTION TO QUALITY & SERVICE

THESE DRAWINGS AND SPECIFICATIONS ARE THE PROPERTY OF EDAC INC., AND SHALL NOT BE REPRODUCED, OR COPIED OR USED AS THE BASIS FOR THE MANUFACTURE OR SALE OF APPARATUS WITHOUT WRITTEN PERMISSION.

ACAD REFERENCE NO.: 690-024-231-031

DRAWN: N.SONDH

DATE: JUN.29/2015

CHECKED:

DATE:

PART NUMBER

SEE TABLE

SHEET 2 OF 2

DRAWING NUMBER

690-024-231-031

ISSUE

1