



Chipsmall Limited consists of a professional team with an average of over 10 year of expertise in the distribution of electronic components. Based in Hongkong, we have already established firm and mutual-benefit business relationships with customers from,Europe,America and south Asia,supplying obsolete and hard-to-find components to meet their specific needs.

With the principle of "Quality Parts,Customers Priority,Honest Operation,and Considerate Service",our business mainly focus on the distribution of electronic components. Line cards we deal with include Microchip,ALPS,ROHM,Xilinx,Pulse,ON,Everlight and Freescale. Main products comprise IC,Modules,Potentiometer,IC Socket,Relay,Connector.Our parts cover such applications as commercial,industrial, and automotives areas.

We are looking forward to setting up business relationship with you and hope to provide you with the best service and solution. Let us make a better world for our industry!



Contact us

Tel: +86-755-8981 8866 Fax: +86-755-8427 6832

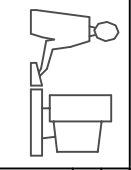
Email & Skype: info@chipsmall.com Web: www.chipsmall.com

Address: A1208, Overseas Decoration Building, #122 Zhenhua RD., Futian, Shenzhen, China

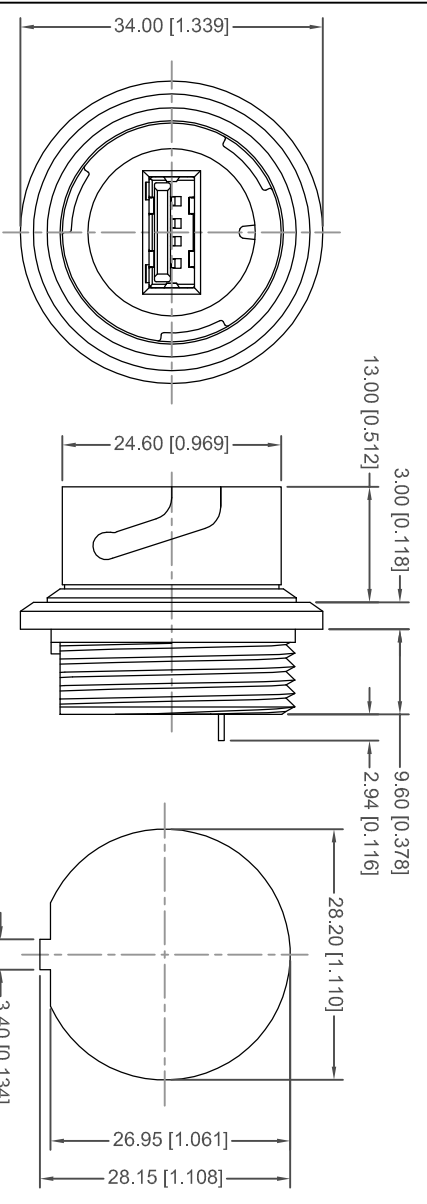


TOLERANCE UNLESS OTHERWISE SPECIFIED IN MM:	ANGLE	X°
0.0	± 0.20	
0.00	± 0.10	
0.000	± 0.05	

THIS IS A C.A.D. GENERATED DRAWING
DO NOT MAKE MANUAL REVISIONS TO MASTER.

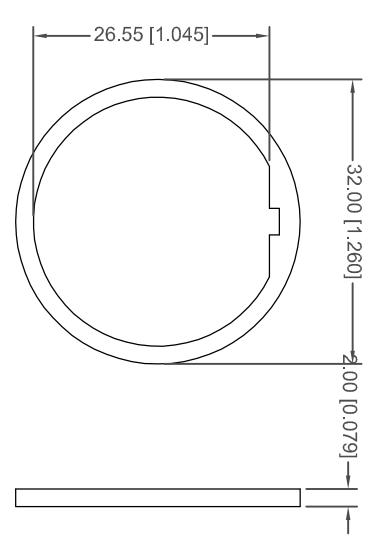


ISSUE NUMBER
ORIGINAL
①

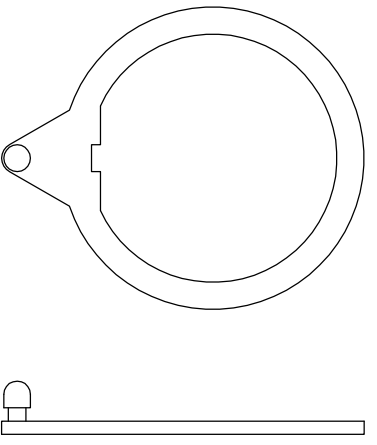


PANEL CUT-OUT

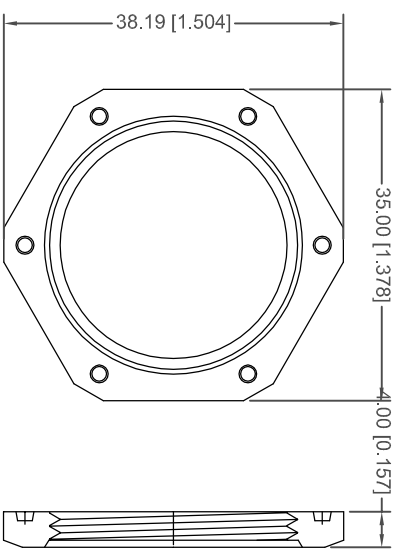
- MATERIAL :**
- 1. USB CONN
 - 1-2. HOUSING : PBT UL 94V-0 ; COLOR : BLACK
 - 1-3. CONTACT : PHOSPHOR BRONZE
 - 1-4. SHELL : BRASS
 - 2. PARTS
 - 2-1. EXTERNAL HOUSING : PBT UL 94V-0 ; COLOR : BLACK
 - 2-2. NUT : PBT UL 94V-0 ; COLOR : BLACK
 - 2-3. WASHER : PBT UL 94V-0 ; COLOR : BLACK
 - 2-4. O-RING : SILICON
 - 3. PLATING
 - 3-1. CONTACT : GOLD PLATING ON CONTACT AREA
BRIGHT TIN ON SOLDER AREA
 - 3-2. SHELL : NICKEL PLATING OVER ALL



O-RING



WASHER



NUT

**WATERPROOF USB TYPE A, 4P
(FEMALE)**

ACAD REFERENCE NO.: 690-W04-260-014

DRAWN: R.STA.MONICA DATE: APR.07/2014

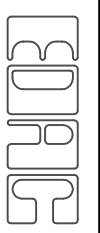
CHECKED: DATE:

PART NUMBER: 690-W04-260-014 SHEET 1 OF 1

DRAWING NUMBER: 690-W04-260-014 ISSUE: 1



THIS SERIES FULLY CONFORMS TO THE
EUROPEAN UNION DIRECTIVES 2002/95/EC
AND 2002/96/EC FOR ROHS COMPLIANCY.



EDAC INC
TORONTO, ONTARIO
CANADA

YOUR CONNECTION TO QUALITY & SERVICE

THESE DRAWINGS AND SPECIFICATIONS
ARE THE PROPERTY OF EDAC INC. AND
SHALL NOT BE REPRODUCED OR COPIED
OR USED AS THE BASIS FOR THE
MANUFACTURE OR SALE OF APPARATUS
WITHOUT WRITTEN PERMISSION.