



Chipsmall Limited consists of a professional team with an average of over 10 year of expertise in the distribution of electronic components. Based in Hongkong, we have already established firm and mutual-benefit business relationships with customers from,Europe,America and south Asia,supplying obsolete and hard-to-find components to meet their specific needs.

With the principle of “Quality Parts,Customers Priority,Honest Operation,and Considerate Service”,our business mainly focus on the distribution of electronic components. Line cards we deal with include Microchip,ALPS,ROHM,Xilinx,Pulse,ON,Everlight and Freescale. Main products comprise IC,Modules,Potentiometer,IC Socket,Relay,Connector.Our parts cover such applications as commercial,industrial, and automotives areas.

We are looking forward to setting up business relationship with you and hope to provide you with the best service and solution. Let us make a better world for our industry!



Contact us

Tel: +86-755-8981 8866 Fax: +86-755-8427 6832

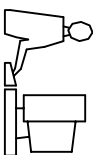
Email & Skype: info@chipsmall.com Web: www.chipsmall.com

Address: A1208, Overseas Decoration Building, #122 Zhenhua RD., Futian, Shenzhen, China

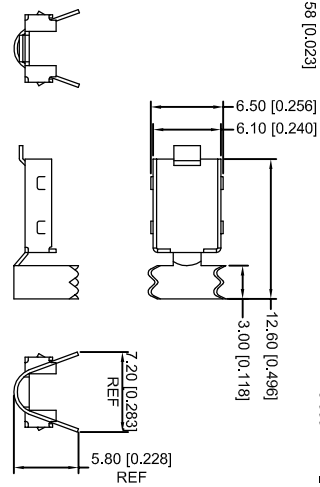
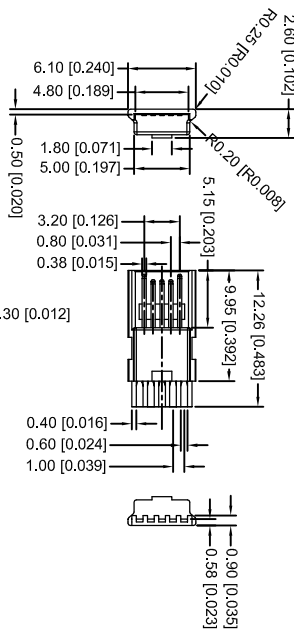


TOLERANCE UNLESS OTHERWISE SPECIFIED IN MM:
 0.0 ±0.20
 0.00 ±0.10
 0.000 ±0.05

THIS IS A C.A.D. GENERATED DRAWING
 DO NOT MAKE MANUAL REVISIONS TO MASTER.

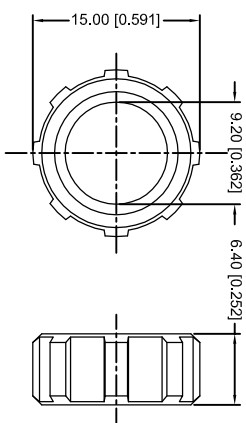
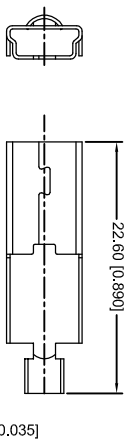


ISSUE NUMBER
 ORIGINAL ①
 UPDATE INSULATOR DESIGN R.STA-MONICA JUNE.18/2014 ②

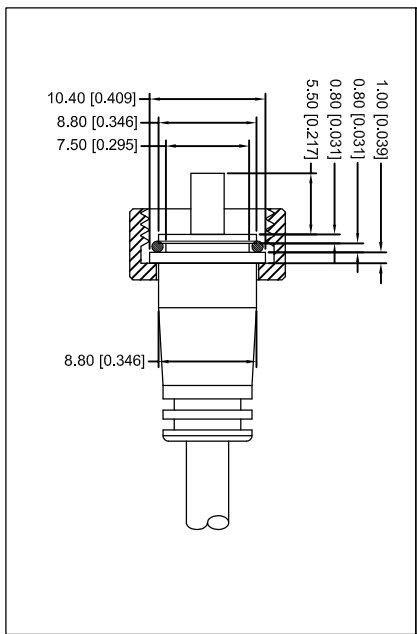


TOP METAL SHELL

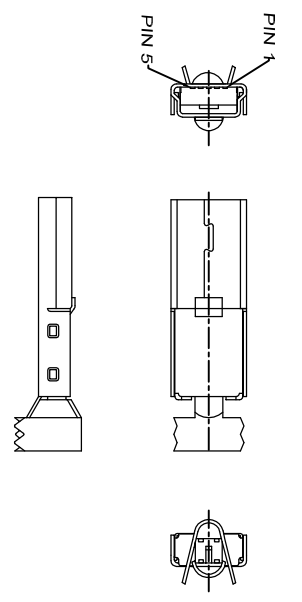
INSULATOR



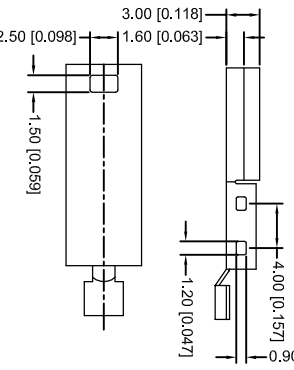
NUT



RECOMMENDED ASSEMBLY



BOTTOM METAL SHELL

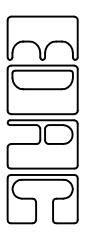


WATERPROOF MINI USB TYPE B, 5P (MALE)

- 1. MATERIAL :
 - 1-1. HOUSING : PBT UL 94V-0
 - COLOR : BLACK
 - 1-2. CONTACT : BRASS
 - 1-3. NUT: PBT UL94V-0
 - 1-4. O-RING : NBR (1*8) ; COLOR : BLACK.
- 2. FINISH :
 - 2-1. CONTACT AREA : GOLD PLATED
 - OTHER AREA : GOLD FLASH
 - SOLDER AREA : BRIGHT TIN
- 3. SPECIFICATION:
 - 3-1. WATER PROOF: IPX7
- 4. OPERATING TEMPERATURE:-25C TO +85C



THIS SERIES FULLY CONFORMS TO THE EUROPEAN UNION DIRECTIVES 2002/95/EC AND 2002/96/EC FOR RoHS COMPLIANCY.



EDAC INC
 TORONTO, ONTARIO
 CANADA

YOUR CONNECTION TO QUALITY & SERVICE

ACAD REFERENCE NO.: 690-W05-260-043

DRAWN: R.STA-MONICA DATE: MAY.01/2014

CHECKED: DATE:

PART NUMBER 690-W05-260-043 SHEET 1 OF 1

DRAWING NUMBER 690-W05-260-043

ISSUE 2