



Chipsmall Limited consists of a professional team with an average of over 10 year of expertise in the distribution of electronic components. Based in Hongkong, we have already established firm and mutual-benefit business relationships with customers from,Europe,America and south Asia,supplying obsolete and hard-to-find components to meet their specific needs.

With the principle of “Quality Parts,Customers Priority,Honest Operation,and Considerate Service”,our business mainly focus on the distribution of electronic components. Line cards we deal with include Microchip,ALPS,ROHM,Xilinx,Pulse,ON,Everlight and Freescale. Main products comprise IC,Modules,Potentiometer,IC Socket,Relay,Connector.Our parts cover such applications as commercial,industrial, and automotives areas.

We are looking forward to setting up business relationship with you and hope to provide you with the best service and solution. Let us make a better world for our industry!



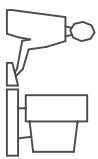
## Contact us

Tel: +86-755-8981 8866 Fax: +86-755-8427 6832

Email & Skype: info@chipsmall.com Web: www.chipsmall.com

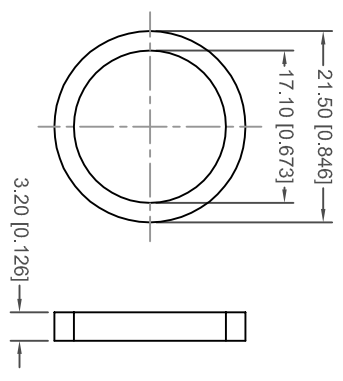
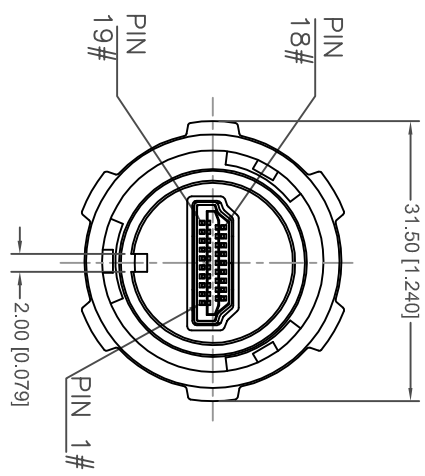
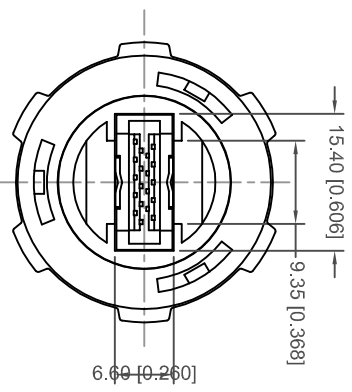
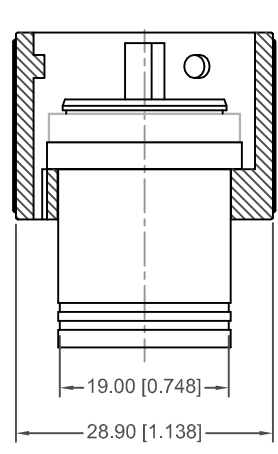
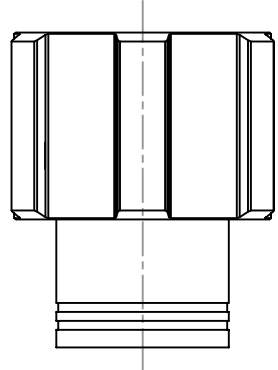
Address: A1208, Overseas Decoration Building, #122 Zhenhua RD., Futian, Shenzhen, China



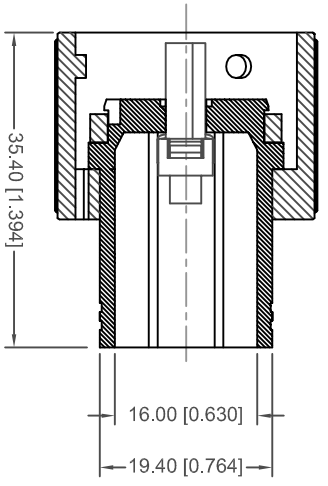


TOLERANCE UNLESS OTHERWISE SPECIFIED IN MM:  
 0.0 ± 0.20  
 0.00 ± 0.10  
 0.000 ± 0.05

THIS IS A C.A.D. GENERATED DRAWING  
 DO NOT MAKE MANUAL REVISIONS TO MASTER.



O-RING



1. MATERIAL :
  - 1-1. EXTERNAL HOUSING : PBT UL94V-0 ; COLOR : BLACK
  - 1-2. EXTERNAL NUT : PBT UL94V-0 ; COLOR : BLACK
  - 1-3. O-RING : SILICONE ; COLOR : BROWN
  - 1-4. HDMI:
    - 1-4-1. FRONT HOUSING: LCP
    - 1-4-2. BACK HOUSING: PBT+GF30%
    - 1-4-3. CONTACT : PHOSPHOR BRONZE
    - 1-4-4. SHELL: BRASS
2. FINISH :
  - 2-1. CONTACT : 15 MICRONS MIN. GOLD PLATED
  - 2-2. SHELL: GOLD FLASH
  - 2-3. SOLDER TAILS: TIN 100u", UNDER PLATE : NICKEL
3. ELECTRICAL SPECIFICATIONS:
  - 3-1. WATER PROOF: IPX7

**WATERPROOF HDMI BLACK TYPE A, 180°  
(MALE)**

ACAD REFERENCE NO.: 690-W19-260-011

DRAWN: R.STA.MONICA      DATE: JAN.09/2014

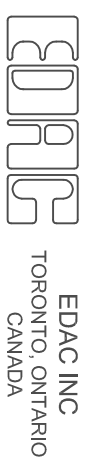
CHECKED:      DATE:

PART NUMBER      SHEET 1 OF 2  
 690-W19-260-011

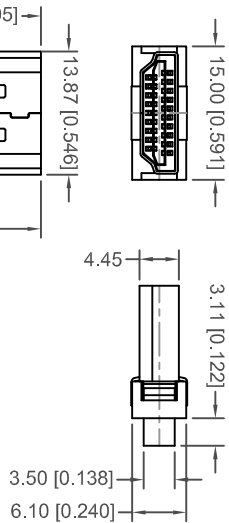
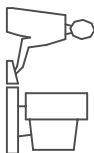
DRAWING NUMBER      ISSUE  
 690-W19-260-011      1



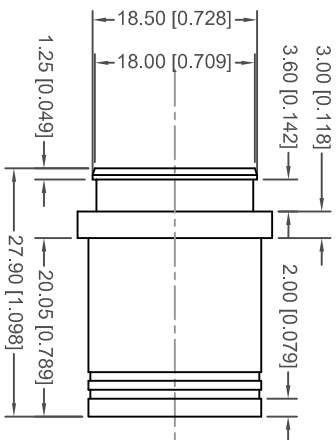
THIS SERIES FULLY CONFORMS TO THE  
 EUROPEAN UNION DIRECTIVES 2002/95/EC  
 AND 2002/96/EC FOR ROHS COMPLIANCY.



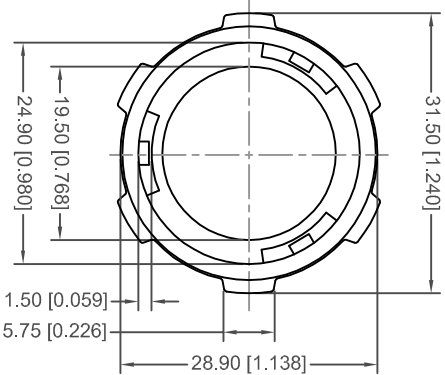
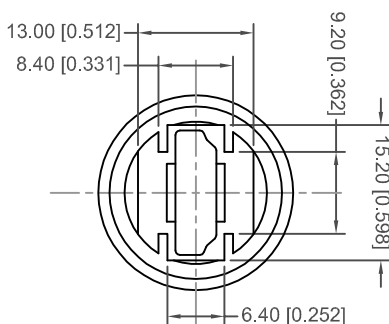
YOUR CONNECTION TO QUALITY & SERVICE



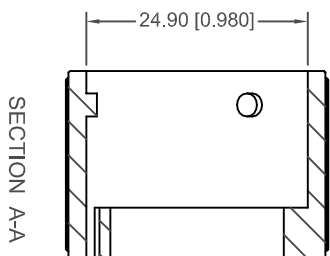
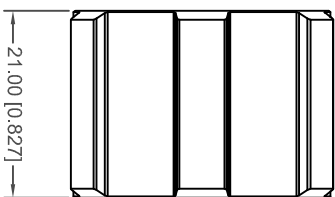
HDMI CONNECTOR



EXTERNAL HOUSING

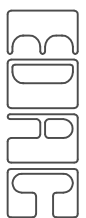


EXTERNAL NUT



THIS SERIES FULLY CONFORMS TO THE  
EUROPEAN UNION DIRECTIVES 2002/95/EC  
AND 2002/96/EC FOR ROHS COMPLIANCY.

**WATERPROOF HDMI BLACK TYPE A, 180°  
(MALE)**



EDAC INC  
TORONTO, ONTARIO  
CANADA

YOUR CONNECTION TO QUALITY & SERVICE

THESE DRAWINGS AND SPECIFICATIONS  
ARE THE PROPERTY OF EDAC INC. AND  
SHALL NOT BE REPRODUCED OR COPIED  
OR USED AS THE BASIS FOR THE  
MANUFACTURE OR SALE OF APPARATUS  
WITHOUT WRITTEN PERMISSION.

ACAD REFERENCE NO.: 690-W19-260-011

DRAWN: R.STA.MONICA DATE: JAN.09/2014

CHECKED: DATE:

PART NUMBER  
690-W19-260-011

SHEET 2 OF 2

DRAWING NUMBER  
690-W19-260-011

ISSUE  
1