



Chipsmall Limited consists of a professional team with an average of over 10 year of expertise in the distribution of electronic components. Based in Hongkong, we have already established firm and mutual-benefit business relationships with customers from,Europe,America and south Asia,supplying obsolete and hard-to-find components to meet their specific needs.

With the principle of “Quality Parts,Customers Priority,Honest Operation,and Considerate Service”,our business mainly focus on the distribution of electronic components. Line cards we deal with include Microchip,ALPS,ROHM,Xilinx,Pulse,ON,Everlight and Freescale. Main products comprise IC,Modules,Potentiometer,IC Socket,Relay,Connector.Our parts cover such applications as commercial,industrial, and automotives areas.

We are looking forward to setting up business relationship with you and hope to provide you with the best service and solution. Let us make a better world for our industry!



## Contact us

Tel: +86-755-8981 8866 Fax: +86-755-8427 6832

Email & Skype: info@chipsmall.com Web: www.chipsmall.com

Address: A1208, Overseas Decoration Building, #122 Zhenhua RD., Futian, Shenzhen, China

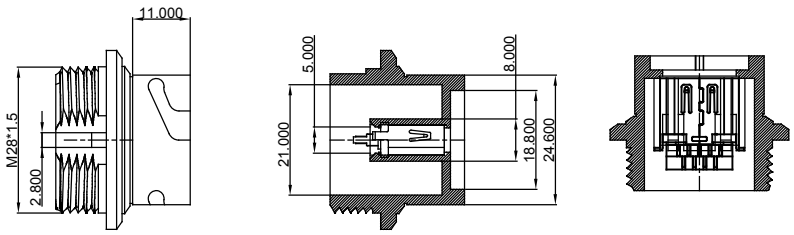
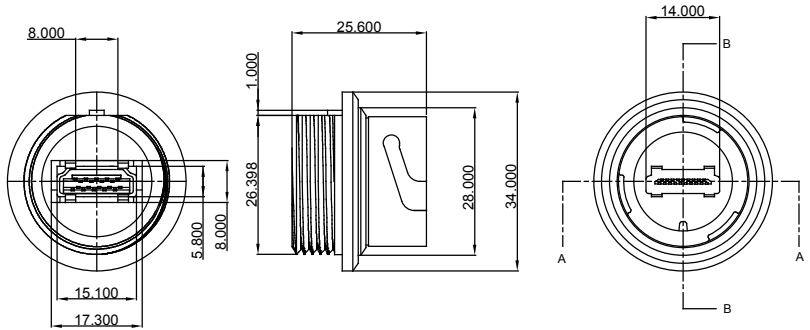


TOLERANCE UNLESS OTHERWISE SPECIFIED IN MM:  
 0.0 ± 0.20 ANGLE x°  
 0.00 ± 0.10  
 0.000 ± 0.05

THIS IS A C.A.D. GENERATED DRAWING  
 DO NOT MAKE MANUAL REVISIONS TO MASTER.



ISSUE NUMBER	
ORIGINAL	①
REMOVE HEX NUT R.STA.MONICA	JUNE.18/2014 ②
ADD OPERATING TEMP R.STA.MONICA	MAY.12/2017 ③
ADD O-RING Y.ZHANG	AUG. 04/2017 ④
UPDATE NOTES Y.ZHANG	JAN. 11/2018 ⑤
UPDATE THREAD PITCH Y.ZHANG	MAR.01/2018 ⑥



1. MATERIAL :
- 1-1. EXTERNAL HOUSING : PBT UL94V-0 ; COLOR : BLACK
  - 1-2. HOUSING: LCP UL94V-0 ; COLOR : BLACK
  - 1-3. CONTACT: PHOSPHOR BRONZE
  - 1-4. SHELL: BRASS
2. FINISH :
- 2-1. CONTACT : 15 MICRO INCHES MIN. GOLD PLATED
  - SOLDER TAILS: BRIGHT TIN 100u"
  - 2-3. SHELL: GOLD FLASH
3. WATER PROOF: IPX7
4. OPERATING TEMP.: -25C TO +85C
5. CABLE MOUNT: WITHOUT HEX NUT & O-RING
- PANEL MOUNT: USE HEX NUT M00-876-001& O-RING M00-943-001



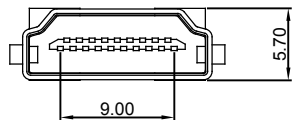
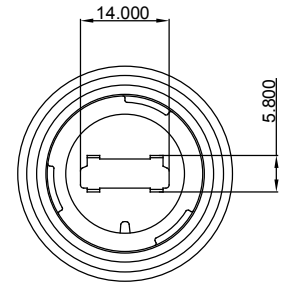
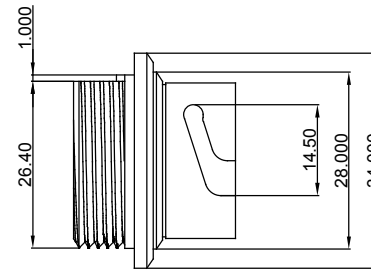
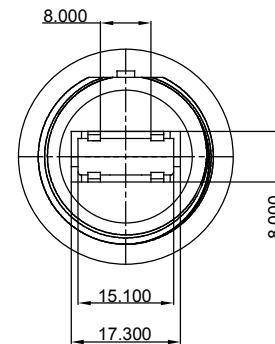
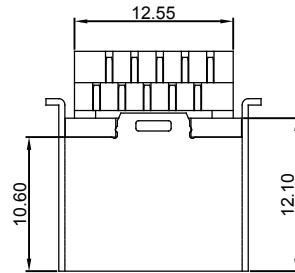
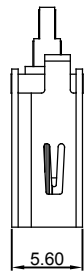
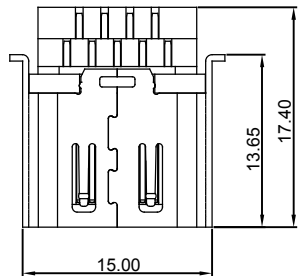
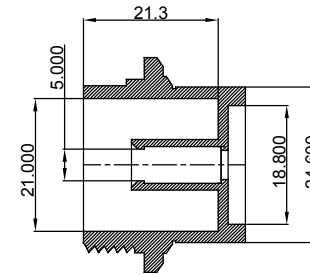
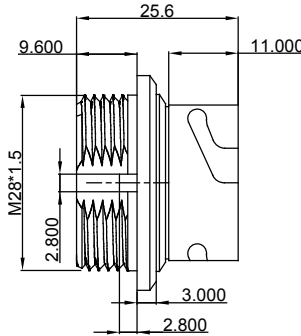
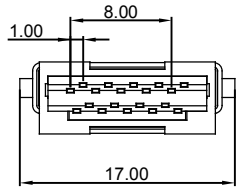
THIS SERIES FULLY CONFORMS TO THE EUROPEAN UNION DIRECTIVES 2011/65/EU FOR RoHS COMPLIANCY.



EDAC INC  
 TORONTO, ONTARIO  
 CANADA  
 YOUR CONNECTION TO QUALITY & SERVICE

THESE DRAWINGS AND SPECIFICATIONS ARE THE PROPERTY OF EDAC INC. AND SHALL NOT BE REPRODUCED, OR COPIED OR USED AS THE BASIS FOR THE MANUFACTURE OR SALE OF APPARATUS WITHOUT WRITTEN PERMISSION.

<b>WATERPROOF HDMI BLACK TYPE A, 180° (FEMALE)</b>		ACAD REFERENCE NO.: 690-W19-260-012	
		DRAWN: R.STA.MONICA	DATE: JAN.09/2014
		CHECKED:	DATE:
		PART NUMBER	
		690-W19-260-012	SHEET 1 OF 2
		DRAWING NUMBER	ISSUE
		690-W19-260-012	6



SCALE: 2:1

**WATERPROOF HDMI BLACK TYPE A, 180°  
(FEMALE)**

ACAD REFERENCE NO.: 690-W19-260-012

DRAWN: R.STA.MONICA

DATE: JAN.09/2014

CHECKED:

DATE:

PART NUMBER

**690-W19-260-012**

SHEET 2 OF 2

DRAWING NUMBER

**690-W19-260-012**

ISSUE

6



THIS SERIES FULLY CONFORMS TO THE  
EUROPEAN UNION DIRECTIVES 2002/95/EC  
AND 2002/96/EC FOR RoHS COMPLIANCY.



**EDAC INC**  
TORONTO, ONTARIO  
CANADA  
YOUR CONNECTION TO QUALITY & SERVICE

THESE DRAWINGS AND SPECIFICATIONS  
ARE THE PROPERTY OF EDAC INC., AND  
SHALL NOT BE REPRODUCED, OR COPIED  
OR USED AS THE BASIS FOR THE  
MANUFACTURE OR SALE OF APPARATUS  
WITHOUT WRITTEN PERMISSION.