



Chipsmall Limited consists of a professional team with an average of over 10 year of expertise in the distribution of electronic components. Based in Hongkong, we have already established firm and mutual-benefit business relationships with customers from,Europe,America and south Asia,supplying obsolete and hard-to-find components to meet their specific needs.

With the principle of "Quality Parts,Customers Priority,Honest Operation,and Considerate Service",our business mainly focus on the distribution of electronic components. Line cards we deal with include Microchip,ALPS,ROHM,Xilinx,Pulse,ON,Everlight and Freescale. Main products comprise IC,Modules,Potentiometer,IC Socket,Relay,Connector.Our parts cover such applications as commercial,industrial, and automotives areas.

We are looking forward to setting up business relationship with you and hope to provide you with the best service and solution. Let us make a better world for our industry!



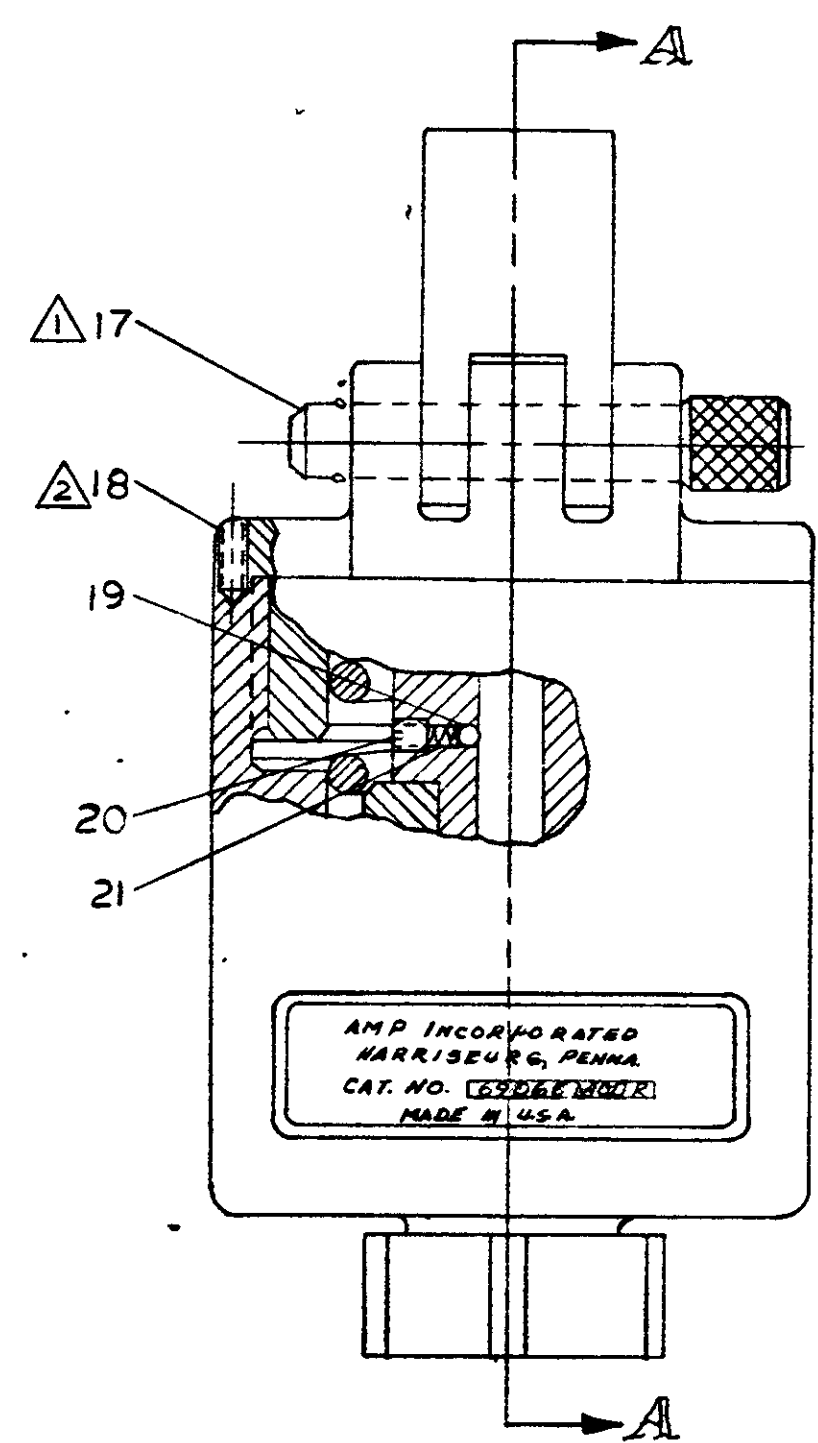
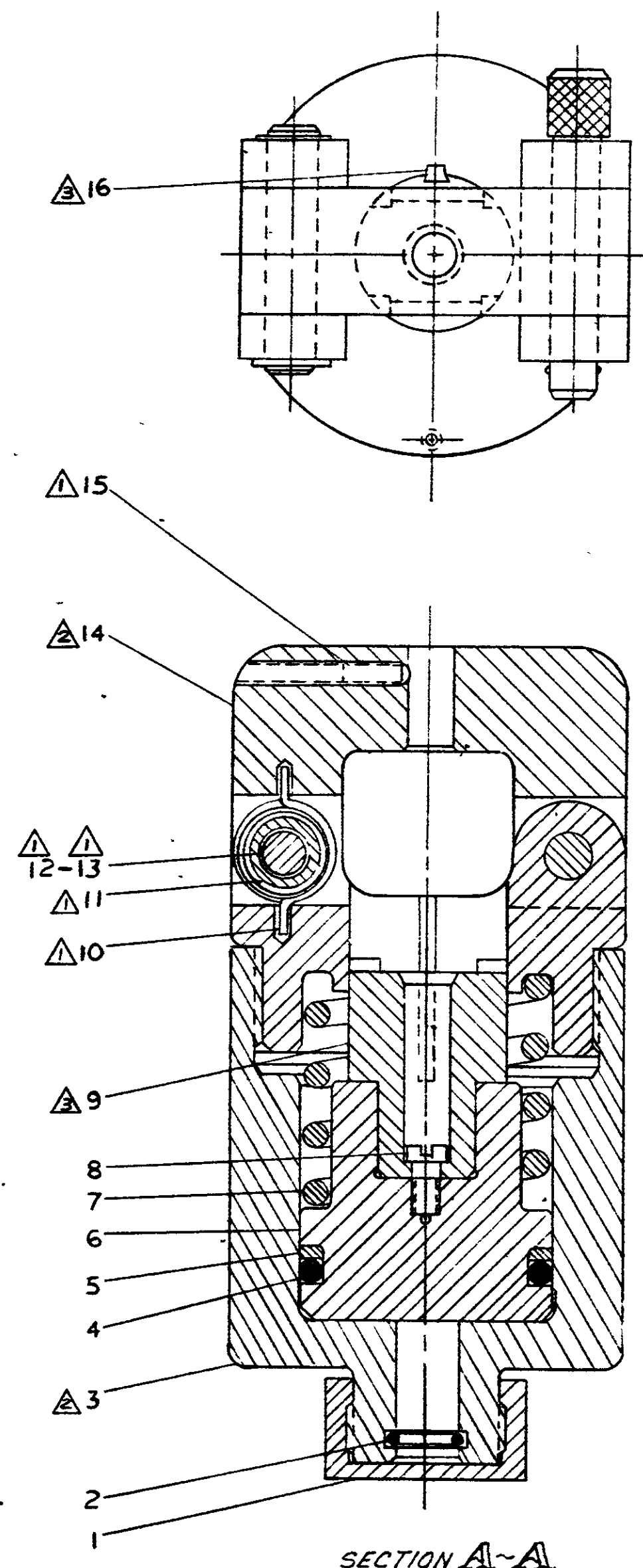
Contact us

Tel: +86-755-8981 8866 Fax: +86-755-8427 6832

Email & Skype: info@chipsmall.com Web: www.chipsmall.com

Address: A1208, Overseas Decoration Building, #122 Zhenhua RD., Futian, Shenzhen, China





- ① INCLUDED WITH HEAD SUB ASS'Y, ITEM #14.
- ② WHEN REPLACING HEAD SUB ASS'Y, ITEM #14 OR CYLINDER, ITEM #3, ASSEMBLE HEAD SUB ASS'Y TIGHT TO CYLINDER. CENTER PUNCH THRU #5-40 HOLE. REMOVE CYLINDER & DRILL .125 D X .06 DP INSERT SCREW, ITEM #18.
- ③ WHEN REPLACING PISTON KEY, ITEM #16 OR PISTON HEAD, ITEM #9, PISTON KEY IS HELD IN PLACE BY PEENING PISTON HEAD ALONG SIDES OF PISTON KEY.

1	300685	SPRING	21
1	3-21006-8	SCREW (8-32 UNC-3A) .125 LG	20
1	23241-1	BALL	19
1	5-306105-9	SCREW (5-40 UNC-3A) .38 LG	18
1	306209-3	PIN ASS'Y	17
1	300681	PISTON KEY	16
1	23057-6	BALL PLUNGER	15
1	47510-1	HEAD SUB ASS'Y	14
2	21045-9	RING RETAINING	13
1	302312	PIN RETAINING	12
1	301555	SPACER	11
1	301556	TOPSION SPRING	10
1	48472	PISTON HEAD	9
1	3-305927-8	SCREW (10-32 UNF-3A) .56 LG	8
1	300680	PISTON RETURN SPRING	7
1	48725	PISTON	6
1	2-21107-3	WASHER	5
1	2-21053-9	O' RING	4
1	48726	CYLINDER	3
1	1-21053-0	O' RING	2
1	301725	CAP PLASTIC	1

DIMENSIONS IN INCHES DO NOT SCALE PRINT

REV	REVISION	DATE
R1	REVISED	12/16
R3	REVISED	8/76
R2	REVISED	8/69

REQUIRED PER ASSEMBLY	NUMBER	NAME	REMARKS	ITEM NO.
© 1968 BY AMP INCORPORATED ALL RIGHTS RESERVED AMP PRODUCTS COVERED BY PATENTS AND/OR PATENTS PENDING				
DR P. Fitchiger 7-31-69 DE E. J. Hink 8-6-69			MATE AL AND FINISH + + +	
TOLERANCE EXCEPT AS NOTED ± .015 = 1" 0'			CLASS + + + TYPE + + +	
SCALE 1-1 LOC M C NO. 69065			AMP INCORPORATED HARRISBURG, PENNA.	
NAME E. J. Hink 8-6-69 CRIMPING HEAD ASS'Y MOD R				