



Chipsmall Limited consists of a professional team with an average of over 10 year of expertise in the distribution of electronic components. Based in Hongkong, we have already established firm and mutual-benefit business relationships with customers from,Europe,America and south Asia,supplying obsolete and hard-to-find components to meet their specific needs.

With the principle of “Quality Parts,Customers Priority,Honest Operation,and Considerate Service”,our business mainly focus on the distribution of electronic components. Line cards we deal with include Microchip,ALPS,ROHM,Xilinx,Pulse,ON,Everlight and Freescale. Main products comprise IC,Modules,Potentiometer,IC Socket,Relay,Connector.Our parts cover such applications as commercial,industrial, and automotives areas.

We are looking forward to setting up business relationship with you and hope to provide you with the best service and solution. Let us make a better world for our industry!



Contact us

Tel: +86-755-8981 8866 Fax: +86-755-8427 6832

Email & Skype: info@chipsmall.com Web: www.chipsmall.com

Address: A1208, Overseas Decoration Building, #122 Zhenhua RD., Futian, Shenzhen, China



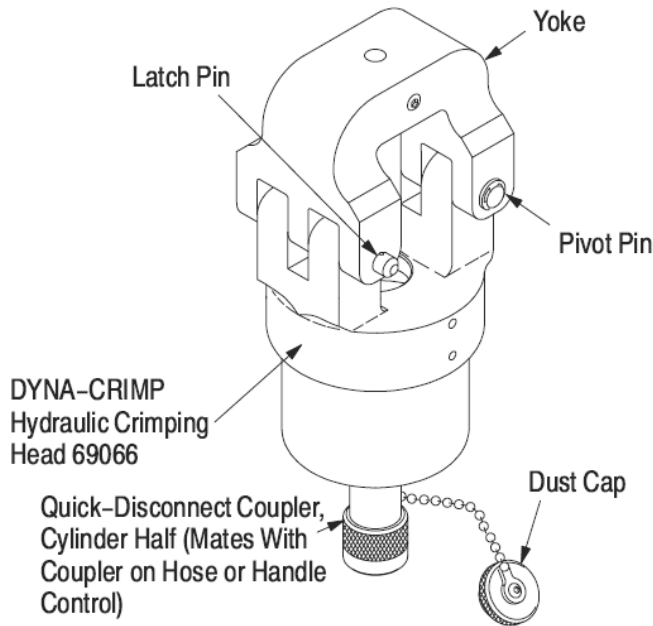


Figure 1

1. INTRODUCTION

This instruction sheet covers application, inspection and maintenance procedures for DYNA-CRIMP Crimping Head 69066 shown in Figure 1. The crimping head uses interchangeable crimping dies used to crimp products listed in Figure 2. This instruction sheet provides general information for the insertion of dies and the crimping procedure. Always refer to the instructions packaged with specific die sets for specific crimping instructions.

Products Crimped	Corresponding Die Set Instruction Sheet
AMPLI-BOND* and PLASTI-GRIP* Terminals, 8-4/0 AWG	408-1724
TERMINYL* Terminals and Splices, 1/0-4/0 AWG	408-1729
Pre-Insulated AMPPOWER* Terminals, 1/0 AWG	408-1729
Pre-Insulated Nylon Heavy Duty Terminals, 8-1/0 AWG	408-1936
COPALUM* Sealed Terminals and Splices, Aluminum 8-1/0; Copper 10-2 AWG	408-2281

Figure 2

This crimping head is designed for two DYNA-CRIMP tools: either Hydraulic Hand Pump 314979-1 described in Customer Manual [409-5860](#); or Hydraulic Power Unit 69120-[] described in Customer Manual [409-1950](#).

Warning: To avoid personal injury and potential damage to the crimp head, TE Connectivity (TE) requires the crimp head to operate at 8,000 to 8,400 PSI [552 to 579 bar]. TE recommends using 8,200 PSI [565 bar] TE Hydraulic Pumps as other manufacturers' pumps may apply insufficient pressure (resulting in an inadequate crimp) or excessive pressure (resulting in failure of the head). Additionally, the TE pump must be used to maintain CE certification; if using other manufacturers' pumps, the user is responsible for self-certification.

Read these instructions and other applicable references carefully before proceeding.



NOTE

Dimensions in this instruction sheet are in millimeters [with inches in brackets]. Illustrations and figures are for reference only and are not drawn to scale.

Reasons for reissue of this Instruction Sheet are provided in Section 8; REVISION SUMMARY

2. DESCRIPTION

Main components of the crimping head are: a yoke which houses the stationary die and retains the terminal assembly for crimping, a removable latch pin which allows pivoting of the yoke on the pivot pin (typically required for splice terminations), a cylinder which contains the head's hydraulic chamber, a piston (ram) which holds and controls the moving die, and a quick connect/disconnect coupler (cylinder half) which mates with the coupler on hose or handle control to release or supply pressure.



DANGER

To avoid injury when using DYNA-CRIMP equipment, observe the following precautions:

- **DO NOT** modify the crimping equipment in any way.
- **USE ONLY** dies, terminals, and wire specified for the head.
- **DO NOT** perform repairs other than those specified in the instructional material supplied with the equipment.

3. CRIMPING HEAD INSTALLATION

Each crimping head is shipped with a coating of lubricating oil to prevent rust and corrosion. Wipe the oil off before installing the crimping head on the power unit. Note that the crimping head is shipped without oil inside the cylinder. To install crimping head, proceed as follows:



DANGER

Verify that the hydraulic pressure to hose or handle control is released and that power supply is disconnected from electric power unit, if applicable.



NOTE

If a coupling component for the hose assembly is packaged inside the quick connect/disconnect coupler on the head, it is to be used to replace the coupling on a hose assembly not equipped with a quick connect/disconnect coupler.

1. Thoroughly clean coupling area of handle control or hose assembly and crimping head (see Figure 1).
2. Remove protective dust caps from both quick connect/disconnect couplers.
3. Hold hose or handle control in vertical position to prevent oil spillage. Attach hose or handle control to coupling section on head. **THREAD PROPERLY AND TIGHTEN SECURELY.**



CAUTION

Oil flow must be unobstructed between power unit and crimping head. Verify that all couplers are fully mated and tightened.



NOTE

If crimping head must be removed after being in production, pressure must be released in the hydraulic system before head is removed.

- If using Hydraulic Power Unit 69120-[], disconnect power unit from power supply.
- If using Hydraulic Hand Pump 314979-1, depress pressure release lever.

4. DIE INSERTION AND REMOVAL (FIGURE 3)



DANGER

Use extreme care when operating power unit. **DO NOT** inadvertently actuate the tool when installing or changing dies. Personal injury could result.

4.1. Die Insertion

1. Remove latch pin and open yoke on crimping head.
2. Activate power unit to advance ram slightly to gain access to the ram setscrew which secures the moving die.
3. The stationary die is secured by the yoke setscrew. Refer to documentation packaged with the dies for specific instructions.
4. After the dies are installed, leave the yoke open until the ram is returned to the rest position.

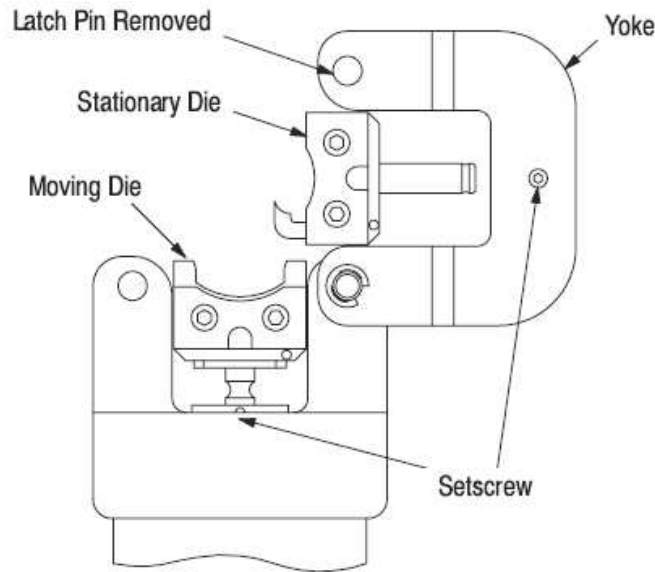


Figure 3

4.2. Die Removal

1. Remove latch pin and open yoke on crimping head.
2. Activate power unit to advance ram slightly to gain access to the ram setscrew which secures the moving die.
3. Raise ram to full UP position.
4. Insert screwdriver under moving die and pry out of ram.
5. The stationary die is secured by the yoke setscrew. Refer to documentation packaged with the dies for specific instructions.



NOTE

Latch Pin Kit 69709-2 is available as an accessory item. The latch pin is attached to the pivot pin by a chain to avoid misplacing the latch pin.

5. CRIMPING PROCEDURE

The following crimping procedure provides general information. Refer to instructions packaged with individual die sets for specific products, wire sizes, strip dimensions, positioning of terminals and splices in the dies, and crimping procedures.



DANGER

To prevent personal injury when operating the power unit, exercise caution while holding terminals, splices or wire near crimping area.



CAUTION

Never operate the power unit without having a crimping head attached to the handle control or crimping head coupling.

1. Insert terminal or splice in the stationary (upper) die according to instructions with the dies. Verify the latch pin is secure before activating the power unit.
2. Slowly advance moving (lower) die with short, quick strokes until terminal or splice is secure.
3. Insert the stripped wire.
4. Cycle tool to complete crimp. Remove crimped terminal or splice.



NOTE

If the splice or terminal sticks in the die after crimping, apply a rocking action to release it.

6. MAINTENANCE AND INSPECTION



DANGER

Verify hydraulic pressure is released and power supply is disconnected before following maintenance and inspection procedures, unless otherwise specified in the procedure.

Each crimping head is assembled and inspected before shipment. TE Connectivity recommends that the crimping head be inspected immediately upon its arrival at the facility of use, and at regularly scheduled intervals, to ensure the head has not been damaged during handling and use. Frequency of inspection depends upon the following: care, amount of use, and handling of the head; type and size of products crimped; degree of operator skill; and environmental conditions.

6.1. Cleaning

Remove accumulations of dirt and grease on the crimping head; especially in areas where dies are installed and terminals are crimped. Clean the entire head frequently with a clean, lint-free cloth.

6.2. Visual Inspection

Refer to Figure 4 and proceed as follows:

1. With hydraulic pressure released, inspect the assembled head for nicks, scratches, and cracks. Inspect for cracks especially at the corners of the yoke and around the top of the cylinder.

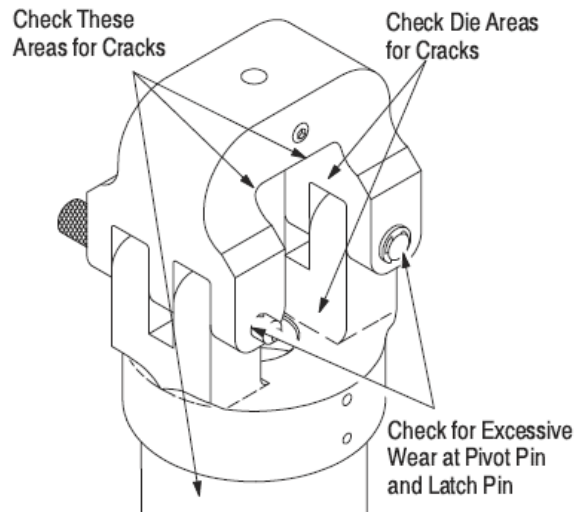


Figure 4

2. Inspect pivot pin holes and latch pin holes for wear. Replace parts, as needed.
3. Activate power unit. Raise ram to "UP" position. Inspect flat and round surfaces of ram for galling (fretting or wear by friction), cracks, or oil leakage. Release pressure and make sure ram retracts smoothly.
4. If head shows evidence of galling, cracks, oil leakage, or rough cycling, return the crimping head to TE for repairs. Refer to Section 7, REPLACEMENT PARTS AND REPAIRS.



NOTE

Once per year, or every 7,500 cycles (whichever comes first), the hydraulic head should be returned to TE for magnetic particle inspection. Additionally, inspect and service the head (as described in Figure 4) every month or 1,000 cycles. Refer to Instruction Sheet 408-8909.

6.3. Crimping Head Check-Out Procedure

If the ram fails to return to the "DOWN" position after completion of a crimping cycle, the cause may be in the crimping head. To determine whether or not the trouble is in the crimping head, release pressure in the power unit. If the ram retracts, the trouble is not in the crimping head. If ram does NOT retract, refer to Paragraph 6.4.

6.4. Crimping Head Disassembly Procedure [Figure 5]



NOTE

Numbers in parentheses refer to Item Numbers in Figure 5.

1. If the head is attached to Hydraulic Power Unit No. 69120-[], release the pressure by pressing the pressure release button on the electrical control box. Hold it for several seconds. Proceed to Step 3 below.
2. If the head is attached to Hydraulic Foot Pump No. 314979-1, release the pressure in the head by pressing the return pedal on the foot pump.
3. Unscrew the collar of the coupler on the head.
4. Remove the crimping head and place it in a vise. Use a suitable material to protect the finish on the head.
5. Remove the set screw (9) that secures the head assembly to the cylinder.
6. Remove the guide lock screw (10) and loosen the guide set screw (11) enough to permit the head to be turned counterclockwise without turning the ram.
7. Turn the head sub-assembly counterclockwise to remove it from the threaded cylinder.
8. Remove the ram (5), bushing (13), and ram return spring (8).
9. Inspect for deteriorated or torn ram O-ring (6) or back-up ring (7). Replace with new parts if damaged.
10. Apply a thin film of hydraulic fluid (same type used in power unit reservoir) on the surface of the O-ring and back-up ring installed on the ram.
11. Install the ram (5), bushing (13), and ram return spring (8) in the cylinder.
12. Install the head sub-assembly on the threaded cylinder but do not tighten.
13. Turn the guide set screw (11) clockwise into the slot in the ram to prevent the ram from turning. Be sure that the screw does not prevent the ram from moving freely.
14. Install the guide lock screw (10) securely against the guide set screw (11).
15. Tighten the cylinder head assembly and install and tighten the set screw (9).
16. To install the crimping head, refer to Section 3, CRIMPING HEAD INSTALLATION.

7. REPLACEMENT PARTS AND REPAIRS

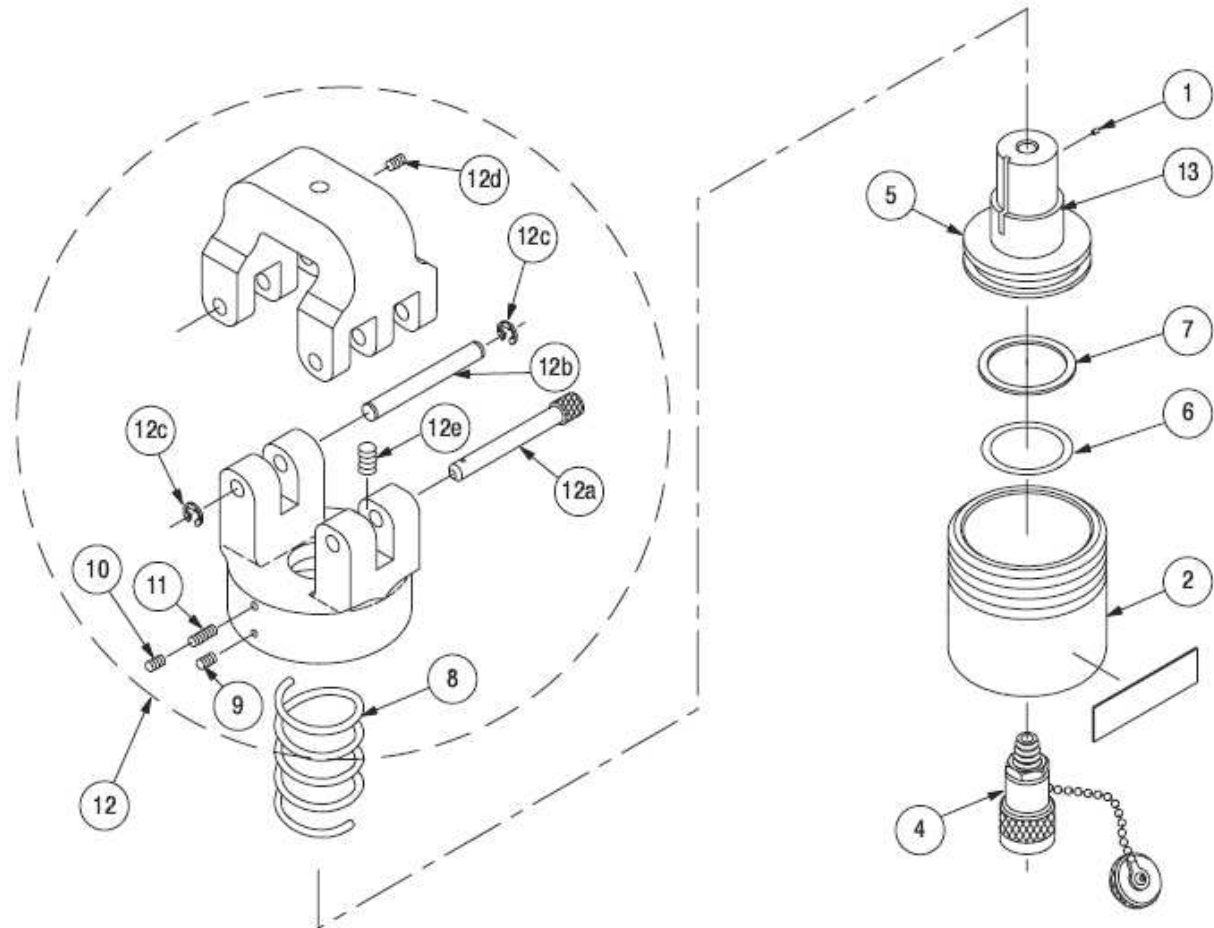
Customer-replaceable parts are listed in Figure 5. A complete inventory should be stocked and controlled to prevent lost time when replacement of parts is necessary. Order parts through your TE Representative or call 1-800-526-5142, or send a facsimile of your purchase order to 1-717-986-7605, or write, or return the entire tool for evaluation and repair, with a written description of the problem to:

CUSTOMER SERVICE (38-35)
TE CONNECTIVITY CORPORATION
P.O. BOX 3608
HARRISBURG, PA 17105-3608

Tools may also be returned for evaluation and repair. For tool repair service, contact a TE Representative at 1-800-526-5136.

8. REVISION SUMMARY

- Added Warning (paragraph 1)
- Added NOTE after paragraph 6.2.4. specifying return to TE for magnetic particle inspection



Item Number	Part Number	Description	Quantity Per Head
1	4-21012-0	Screw, Socket Set Self-Locking (Flat Point) 8-32 UNC x .250 in. Length	1
2	46000	Cylinder	1
4	311471-1	Coupler, Quick-Disconnect, Cylinder Half	1
5	314952-1	Piston (Ram)	1
6	3-21053-4	O-Ring, 2.625 in. OD x 2.250 in. ID x .188 in. Width	1
7	2-21107-8	Ring, Back-up	1
8	300680	Spring, Ram Return	1
9	4-21012-0	Screw, Socket Set (Cone Point) 8-32 UNC x .313 in. Length	1
10	4-21010-1	Screw, Socket Set (Flat Point) 8-32 UNC x .313 in. Length	1
11	21059-5	Screw, Socket Set (Half Dog Point) 8-32 UNC x .500 in. Length	1
12	307002-1	¹ Cylinder Head and Yoke Assembly - Contains Following Hardware Parts:	1
12a	306209-4	Pin, Latch	1
12b	303598	Pin, Retaining	1
12c	21045-9	Pin, Retaining	2
12d	4-21012-0	Screw, Socket Set Self-Locking 8-32 UNC-3A x .250 in. Length	1
12e	5-21008-2	Screw, Socket Set Self-Locking (Cup Point) 4-40 UNC x .375 in. Length	1
13	311833-2	Bushing	1

Figure 5

¹ The head and yoke must be ordered and replaced as a machine-fit assembly (PN 307002-1). All other parts of the crimping head, including items 12a – 12e may be ordered and replaced separately.