



Chipsmall Limited consists of a professional team with an average of over 10 year of expertise in the distribution of electronic components. Based in Hongkong, we have already established firm and mutual-benefit business relationships with customers from,Europe,America and south Asia,supplying obsolete and hard-to-find components to meet their specific needs.

With the principle of "Quality Parts,Customers Priority,Honest Operation,and Considerate Service",our business mainly focus on the distribution of electronic components. Line cards we deal with include Microchip,ALPS,ROHM,Xilinx,Pulse,ON,Everlight and Freescale. Main products comprise IC,Modules,Potentiometer,IC Socket,Relay,Connector.Our parts cover such applications as commercial,industrial, and automotives areas.

We are looking forward to setting up business relationship with you and hope to provide you with the best service and solution. Let us make a better world for our industry!



## Contact us

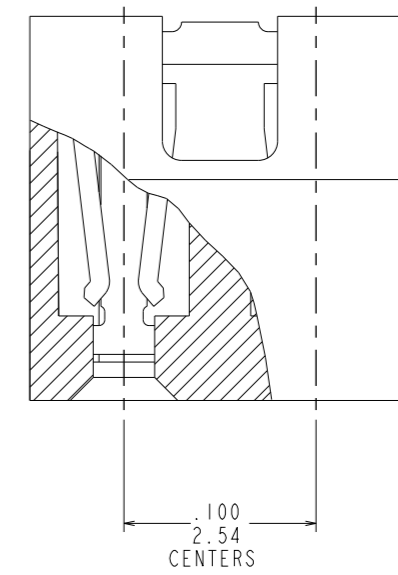
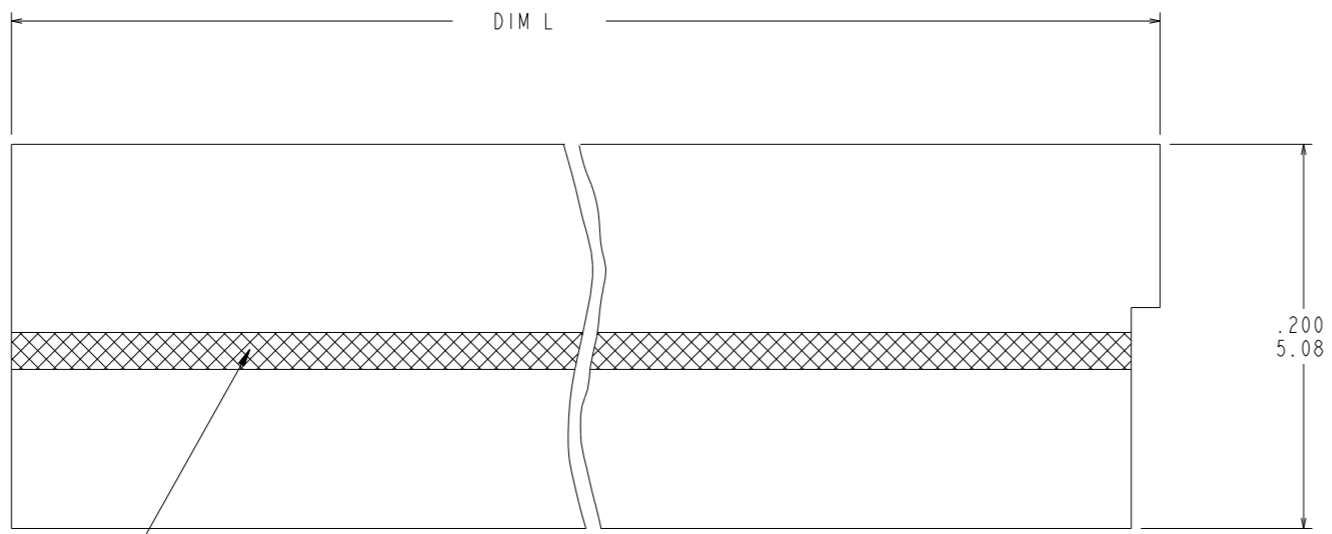
Tel: +86-755-8981 8866 Fax: +86-755-8427 6832

Email & Skype: info@chipsmall.com Web: www.chipsmall.com

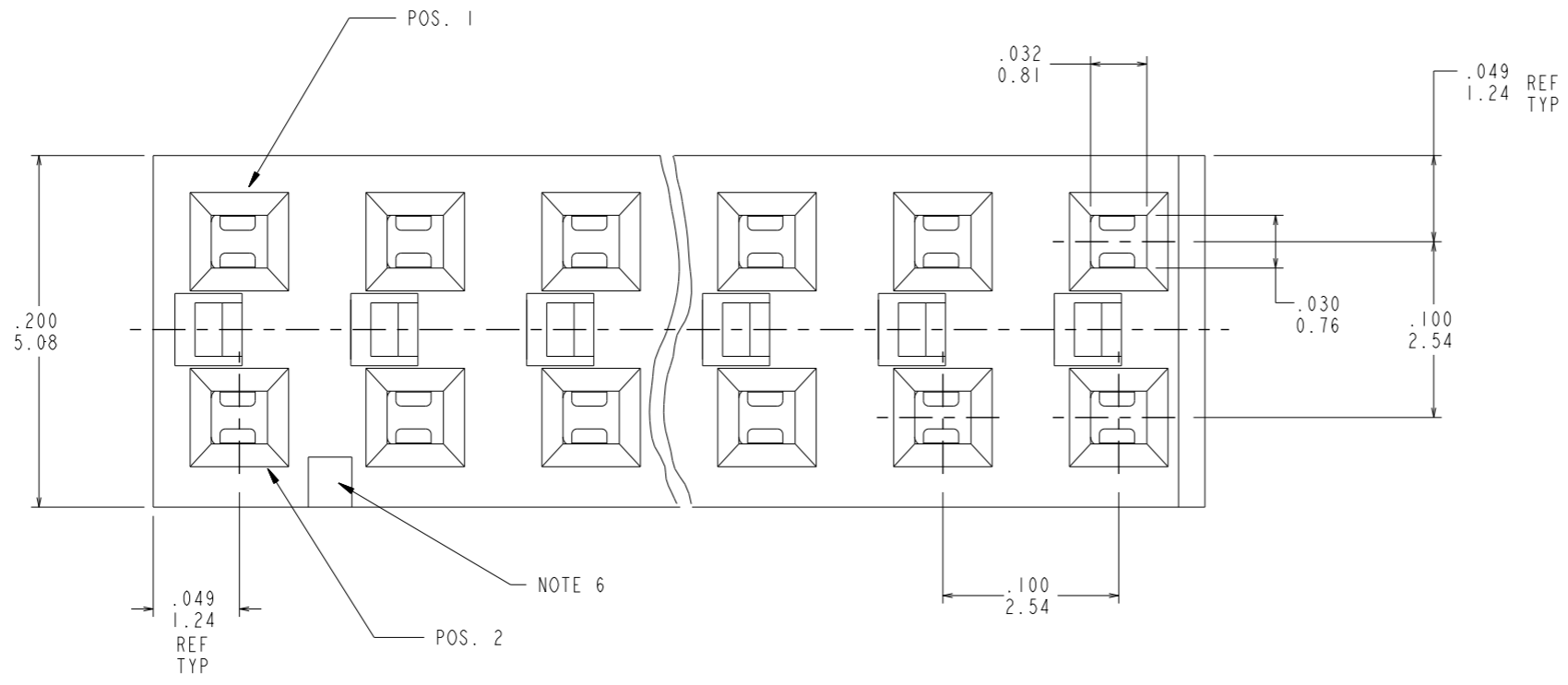
Address: A1208, Overseas Decoration Building, #122 Zhenhua RD., Futian, Shenzhen, China



A



B



C

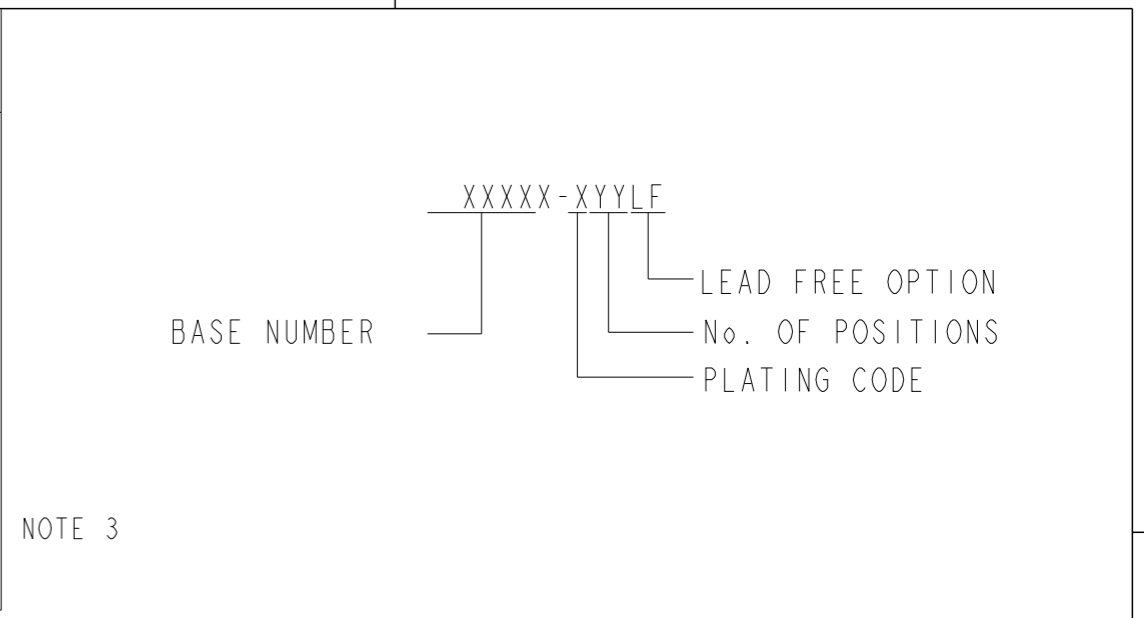


Copyright FCI.

D

spec ref		dr	Yong Huang	2010/10/25	projection	INCH / MM	size	A3	scale	DRAWING SCALE
tolerance std		eng	Zheng-Kun Hu	2014/09/19			ecn no		ELX-N-18464-1	
TOLERANCES UNLESS OTHERWISE SPECIFIED		chr	-	-			rel level		Released	
surface	<input checked="" type="checkbox"/>	linear	0.X	±0.5		D.R. MULTI POSITION PROFILE JUMPER ASS'Y	dwg no		69145	
			0.XX	±0.3			rev		S	
			0.XXX	±0.13			cat. no.		Product - Customer Drw	
		angular	0°	±°	www.fci.com		PDS: Rev :S		STATUS:Released	

PRODUCT No.	NO. OF POS.	DIM L	DESC PRODUCT NUMBER ON -8XX SERIES ONLY	SELECT LOADING	LEAD FREE OPTION
69145-X04	2 X 2	.1980/5.029	WWWWW-04	NO	NOTE 5
-X06	2 X 3	.2980/7.569	WWWWW-06	NO	
-X08	2 X 4	.3980/10.109	WWWWW-08	NO	
-X10	2 X 5	.4980/12.649	WWWWW-10	NO	
-X12	2 X 6	.5980/15.189	WWWWW-12	NO	
-X14	2 X 7	.6980/17.729	WWWWW-14	NO	
-X16	2 X 8	.7980/20.269	WWWWW-16	NO	
-X18	2 X 9	.8980/22.809	WWWWW-18	YES	
69145-X20	2 X 10	.9980/25.349	WWWWW-20	NO	1-2 9-10 17-18 ONLY FOR 69145-518

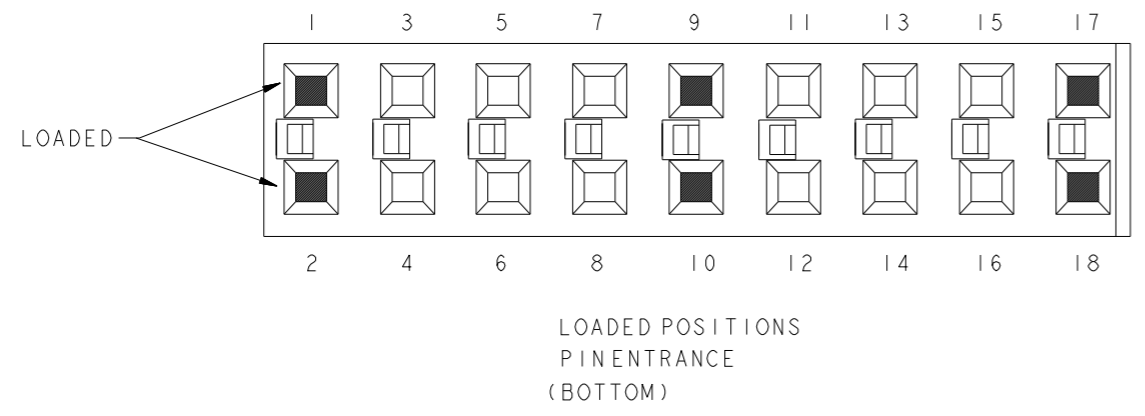


PLATINGS;

- 1XX 15u"/.38u Au or GXT CONTACT AREA
- 2XX 30u"/.76u Au or GXT CONTACT AREA
- 3XXLF 100u"/2.54u Sn CONTACT AREA
- 4XX-Au-FLASH-OVER-50u"-Ni-CONTACT-AREA----- OBSOLETE

NOTES:

- MATERIAL: POLYESTER. FLAME RETARDANT PER UL-94-V0. COLOR - BLACK
- RECOMMENDED APPLICATION DATA:
  - A. ALL MATING PINS TO BE .025/.64 SQ. ON TRUE CENTER OF GIVEN TERMINAL SPACING WITHIN .015/.38 DIA.
  - B. SUGGESTED MATING PIN LENGTH .160/4.06 MIN.
- 69145-518 SELECT LOADED WITH 30u"/.76u GOLD CONTACTS.
- .005/0.13 RECESS PERMISSABLE AT THIS LOCATION FOR ASSEMBLY PROCESSING.
- ADD "LF" SUFFIX AT THE END OF PART NUMBER FOR LEAD FREE OPTION.
- THIS PRODUCT MEETS EUROPEAN UNION DIRECTIVES AND OTHER COUNTRY REGULATION AS DESCRIBED IN GS-22-008.
- THIS PRODUCT IS NOT INTENDED TO BE EXPOSED TO A MANUFACTURING SOLDER PROCESS.
- PRODUCT SPECIFICATION: BUS-12-071.



Copyright FCI.



ISO 1302 ISO 406 ISO 1101

spec ref	dr	Yong Huang	2010/10/25	projection	INCH/MM	size	A3	scale	DRAWING SCALE
tolerance std	eng	Zheng-Kun Hu	2014/09/19			ecn no	ELX-N-18464-1	rel level	Released
TOLERANCES UNLESS OTHERWISE SPECIFIED									
surface	linear	0.X	±0.5		D.R. MULTI POSITION	dwg no	69145	rev	S
		0.XX	±0.3						
		0.XXX	±0.13						
	angular	0°	±°	www.fci.com	cat. no.	Product - Customer Drw	sheet 2 of 2		