



Chipsmall Limited consists of a professional team with an average of over 10 year of expertise in the distribution of electronic components. Based in Hongkong, we have already established firm and mutual-benefit business relationships with customers from,Europe,America and south Asia,supplying obsolete and hard-to-find components to meet their specific needs.

With the principle of “Quality Parts,Customers Priority,Honest Operation,and Considerate Service”,our business mainly focus on the distribution of electronic components. Line cards we deal with include Microchip,ALPS,ROHM,Xilinx,Pulse,ON,Everlight and Freescale. Main products comprise IC,Modules,Potentiometer,IC Socket,Relay,Connector.Our parts cover such applications as commercial,industrial, and automotives areas.

We are looking forward to setting up business relationship with you and hope to provide you with the best service and solution. Let us make a better world for our industry!



## Contact us

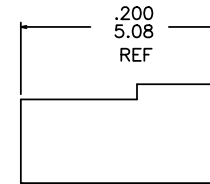
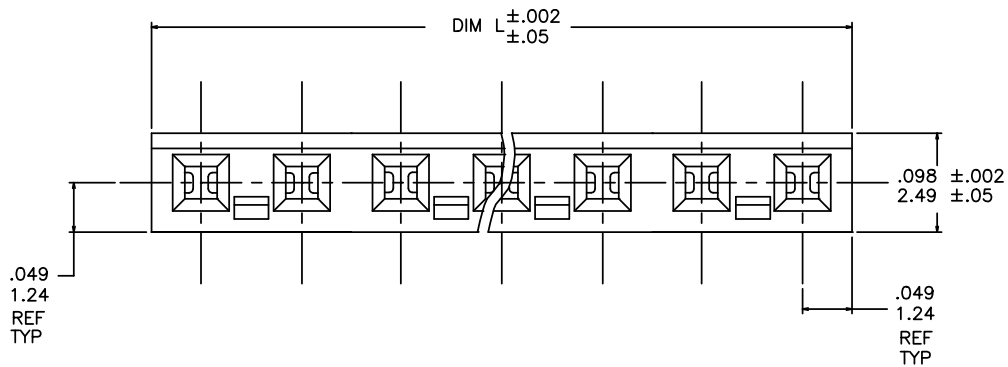
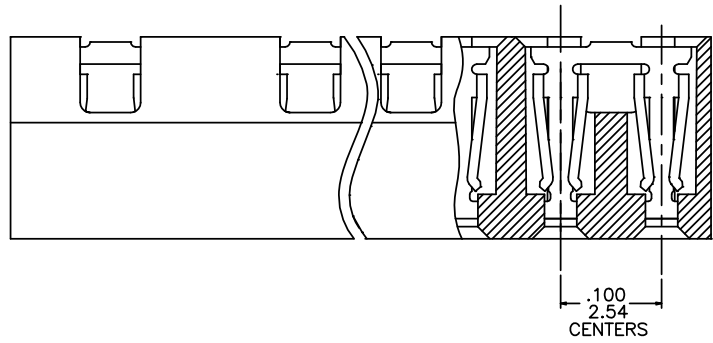
Tel: +86-755-8981 8866 Fax: +86-755-8427 6832

Email & Skype: info@chipsmall.com Web: www.chipsmall.com

Address: A1208, Overseas Decoration Building, #122 Zhenhua RD., Futian, Shenzhen, China

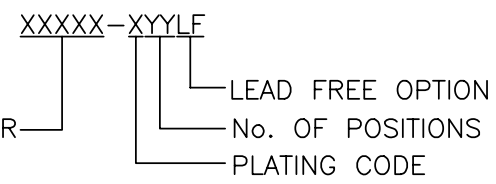


PRODUCT NO.  
SEE TABLE



mat'l. code		surface		tolerance		projection		product family	
		ISO 1302		ISO 406		ASME Y14.5		JUMPER	
title		tolerances unless otherwise specified		linear		INCH/MM		S. R. MULTI POSITION	
A RELEASE JGS 4/1/91		angles		.001±.01/.3		scale 1:1		LOW PROFILE JUMPER ASS'Y	
B V11440 MRC 7/19/91		0°±2'		.000±.005/.13				dwg no 69146	
C V80322 SAR 5/21/98				.000±.0020/.05				sheet of 2 size A3	
D M05-0205 ERE 09/29/05 dr J. SHREINER 4/1/91						FCI		type Product Customer Drawing	
E M06-0238 MN 06/17/08 engr M.HAHN 4/1/91									
F M06-0389 AGS 10/4/06 chr M.HAHN 4/1/91									
G EX-N-011707 JZ 2012-05-04 appd M.HAHN 4/1/91									
sheet	revision	6	G						
index	sheet	1	2						

PRODUCT NO.	NO. OF POS.	DIM L	LEAD FREE OPTION
69146-X04	1 X 4	.398/10.11	NOTE 3,4
-X06	1 X 6	.598/15.19	
-X08	1 X 8	.798/20.27	
-X10	1 X 10	.998/25.35	
-X12	1 X 12	1.198/30.43	
-X14	1 X 14	1.398/35.51	
-X16	1 X 16	1.598/40.59	
-X18	1 X 18	1.798/45.67	
69146-X20	1 X 20	1.998/50.75	NOTE 3,4



- NOTES:
- MATERIAL; POLYESTER, FLAME RETARDANT PER UL-94-V0. COLOR - BLACK
  - RECOMMENDED APPLICATION DATA:
    - ALL MATING PINS TO BE .025/.64 SQ.ON TRUE CENTER OF GIVEN TERMINAL SPACEING WITHIN .015/.38 DIA.
    - SUGGESTED MATING PIN LENGTH .160/4.06 MIN.
  - ADD "LF" SUFFIX AT THE END OF PART NUMBER FOR LEAD FREE OPTION.
  - THESE PRODUCTS MEET EUROPEAN UNION DIRECTIVES AND OTHER COUNTRY REGULATIONS AS DESCRIBED IN GS-22-008.
  - THE PRODUCT IS NOT INTENDED TO BE EXPOSED TO A MANUFACTURING SOLDER PROCESS.
  - "THIS PRODUCT HAS 100% TIN PLATING IN THE INTERFACE AND HAS NOT BEEN TESTED FOR WHISKERS GROWTH IN ALL INTERCONNECT ENVIRONMENTS."
  - PRODUCT SPECIFICATION: BUS-12-071.

CONTACT PLATING:

- 1XX 15μ"/0.38μ Au OR GXT OVER 50μ"/1.27μ Ni
- 2XX 30μ"/0.76μ Au OR GXT OVER 50μ"/1.27μ Ni
- 3XXLF 100μ"/2.54μ Sn OVER 50μ"/1.27μ Ni (NOTE 6)
- ~~-4XX Au FLASH OVER 50μ"/1.27 Ni in CONTACT AREA - OBSOLETE~~

mat'l. code		surface ISO 1302 ✓		tolerance ISO 406 ISO 1101		projection ⊕		product family JUMPER	
ltr ecn nopr date		tolerances unless otherwise specified		INCH/MM		title S. R. MULTI POSITION LOW PROFILE JUMPER ASS'Y			
G		angles		linear		scale 1:1		dwg no 69146	
		0°±2'		.XX±.01/.3 .XXX±.005/.13 .XXX±.0020/.05		FCJ		shee 2 of 2 size A3	
		dr J. SHREINER 4/1/91		engr M.HAHN 4/1/91				type Product Customer Drawing	
		chr M.HAHN 4/1/91		appd M.HAHN 4/1/91					
sheet index		revision sheet							