



Chipsmall Limited consists of a professional team with an average of over 10 year of expertise in the distribution of electronic components. Based in Hongkong, we have already established firm and mutual-benefit business relationships with customers from,Europe,America and south Asia,supplying obsolete and hard-to-find components to meet their specific needs.

With the principle of "Quality Parts,Customers Priority,Honest Operation,and Considerate Service",our business mainly focus on the distribution of electronic components. Line cards we deal with include Microchip,ALPS,ROHM,Xilinx,Pulse,ON,Everlight and Freescale. Main products comprise IC,Modules,Potentiometer,IC Socket,Relay,Connector.Our parts cover such applications as commercial,industrial, and automotives areas.

We are looking forward to setting up business relationship with you and hope to provide you with the best service and solution. Let us make a better world for our industry!



Contact us

Tel: +86-755-8981 8866 Fax: +86-755-8427 6832

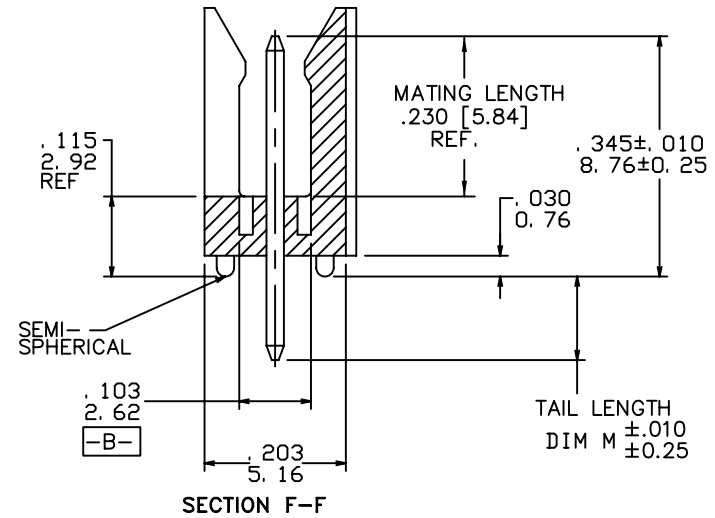
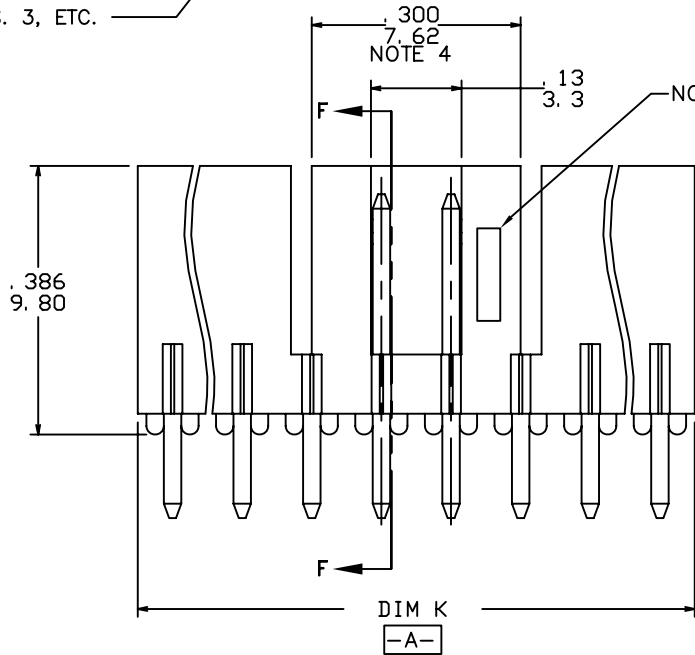
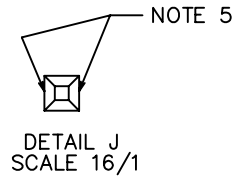
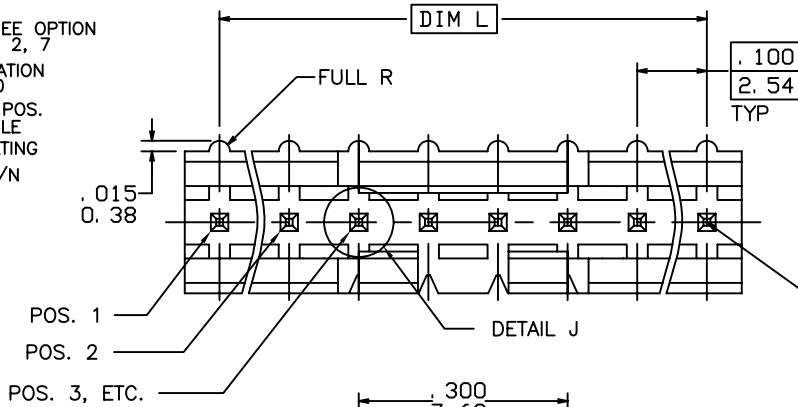
Email & Skype: info@chipsmall.com Web: www.chipsmall.com

Address: A1208, Overseas Decoration Building, #122 Zhenhua RD., Futian, Shenzhen, China



PRODUCT NUMBER
69167-XXXXXXHLF

- LEAD FREE OPTION
NOTE 1, 2, 7
- POLARIZATION
NOTE 10
- NO. OF POS.
SEE TABLE
- PIN PLATING
- BASE P/N



Copyright FCI

mat'l. code		surface ISO 1302		tolerance ISO 406 ISO 1101		projection		product family HEADER	
ltr	ecn no	dr	date	tolerances unless otherwise specified		INCH/MM		title	
T	ELX-N-011896	JZ	05/31/12	angles	.XX±.01/XX±0.3	INCH/MM		FRICTION LATCH HEADER SINGLE ROW VERTICAL	
U	ELX-N-20582	J.H	03/30/15	linear	.XXX±.005/XX±0.13	scale 4:1		sheet 1 of 4 size	
N	MO5-0134	MHT	6/17/05	dr	.XXXX±.0020/XXX±0.05	FCI		69167 A3	
P	MO5-0176	ERE	08/05/05	enr				type Product Customer Drawing	
R	MO6-0256	MHT	9/07/06	chr					
S	MO8-0291	MHT	10/06/08	appd					
sheet	revision	U	U	U	U				
index	sheet	1	2	3	4				

PRODUCT NUMBER	NO OF POS	DIM K	DIM L	TAIL LENGTH DIM M
69167-X03	1 X 3	.300/7.62	.200/5.08	.120/3.05
69167-X04	1 X 4	.400/10.16	.300/7.62	.120/3.05
69167-X05	1 X 5	.500/12.70	.400/10.16	.120/3.05
69167-X06	1 X 6	.600/15.24	.500/12.70	.120/3.05
69167-X07	1 X 7	.700/17.78	.600/15.24	.120/3.05
69167-X08	1 X 8	.800/20.32	.700/17.78	.120/3.05
69167-X09	1 X 9	.900/22.86	.800/20.32	.120/3.05
69167-X10	1 X 10	1.000/25.40	.900/22.86	.120/3.05
69167-X11	1 X 11	1.100/27.94	1.000/25.40	.120/3.05
69167-X12	1 X 12	1.200/30.48	1.100/27.94	.120/3.05
69167-X13	1 X 13	1.300/33.02	1.200/30.48	.120/3.05
69167-X14	1 X 14	1.400/35.56	1.300/33.02	.120/3.05
69167-X15	1 X 15	1.500/38.10	1.400/35.56	.120/3.05
69167-X16	1 X 16	U N A V A I L A B L E		
69167-X17	1 X 17	U N A V A I L A B L E		
69167-X18	1 X 18	U N A V A I L A B L E		
69167-X19	1 X 19	U N A V A I L A B L E		
69167-X20	1 X 20	U N A V A I L A B L E		
69167-X21	1 X 21	U N A V A I L A B L E		
69167-X22	1 X 22	U N A V A I L A B L E		
69167-X23	1 X 23	U N A V A I L A B L E		
69167-X24	1 X 24	U N A V A I L A B L E		
69167-X25	1 X 25	U N A V A I L A B L E		
69167-X26	1 X 26	U N A V A I L A B L E		
69167-X27	1 X 27	U N A V A I L A B L E		
69167-X28	1 X 28	U N A V A I L A B L E		
69167-X29	1 X 29	U N A V A I L A B L E		
69167-X30	1 X 30	U N A V A I L A B L E		
69167-X31	1 X 31	U N A V A I L A B L E		
69167-X32	1 X 32	U N A V A I L A B L E		
69167-X33	1 X 33	U N A V A I L A B L E		
69167-X34	1 X 34	U N A V A I L A B L E		
69167-X35	1 X 35	U N A V A I L A B L E		
69167-X36	1 X 36	U N A V A I L A B L E		

PIN PLATING CODES	
XXXX-1YY	30u"/0.76u MIN (SEE NOTE 8) OVER 50u"/1.27u MIN Ni
XXXX-2YY	15u"/0.38u MIN (SEE NOTE 8) OVER 50u"/1.27u MIN Ni
XXXX-3YY	50u"/1.27u MIN (SEE NOTE 8) OVER 50u"/1.27u MIN Ni
XXXX-4YY	
XXXX-4YYHLF	100u"/2.54u MIN Sn OVER 50u"/1.27u MIN Ni (SEE NOTE 9)
XXXX-5YY	15u"/0.38u MIN (SEE NOTE 8) OVER 50u"/1.27u MIN Ni
XXXX-6YY	30u"/0.76u MIN (SEE NOTE 8) OVER 50u"/1.27u MIN Ni
XXXX-7YY	30u"/0.76u MIN (SEE NOTE 8) OVER 50u"/1.27u MIN Ni
XXXX-8YY	15u"/0.38u MIN (SEE NOTE 8) OVER 50u"/1.27u MIN Ni

NOTES:

- PART NUMBER OPTIONS:
PIN PLATING CODES (SEE ABOVE)
LEAD FREE:
ADD "HLF" AT THE END OF PART NUMBER FOR LEAD FREE OPTION, NOT AVAILABLE FOR -5YY, -5YYH, -6YY, -6YYH.
- BODY MATERIAL:
GLASS REINFORCED PCT COLOR: BLACK
FLAME RETARDANT PER UL 94 V-0
MAXIMUM OPERATING TEMPERATURE: 130° C
OR
MINERAL FILLED LCP, COLOR BLACK
FLAME RETARDANT PER UL 94 V-0

PART NUMBERS WITH "H" SUFFIX WILL WITHSTAND EXPOSURE TO 260°C PEAK TEMPERATURE FOR 20 SECONDS IN WAVE SOLDER, INFRA-RED OR VAPOR PHASE SOLDER PROCESS.
PART NUMBERS WITHOUT "H" SUFFIX WILL WITHSTAND EXPOSURE TO 260°C PEAK TEMPERATURE FOR WAVE SOLDER PROCESS.
- PIN MATERIAL: 3/4 HARD PHOS-BRONZE.
- NO SLOTS ON 1 X 5 POSITION OR SMALLER PRODUCT. THE CENTER KEY SLOT WILL BE ON ALL HEADERS REGARDLESS OF SIZE.
- TWO NON-CRITICAL SIDES OF PIN TIP NOT PLATED, BOTH ENDS
- COMPANY LOGO MAY APPEAR IN THIS AREA.
- THESE PRODUCTS MEET EUROPEAN UNION DIRECTIVES AND OTHER COUNTRY REGULATION AS DESCRIBED IN GS-22-008.
- PLATING OPTIONS:
PERFORMANCE PLATING WILL BE EITHER GOLD OR GXT ON CONTACT OR TAIL, OPTIONALLY (78~295u"/2~7.5u) TIN ON TAIL.
- "THIS PRODUCT HAS 100% TIN PLATING IN THE INTERFACE AND HAS NOT BEEN TESTED FOR WHISKER GROWTH IN ALL INTERCONNECT ENVIRONMENTS."
- FOR POLARIZATION, SPECIFY POSITION NUMBER (i.e. A03=ROW A POSITION 03) TO OMIT PIN.
OMIT FROM PRODUCT NUMBER IF THIS FEATURE IS NOT APPLICABLE.
PRODUCT MANAGEMENT APPROVAL REQUIRED PRIOR TO RELEASE OR SALE OF POLARIZED PRODUCT.



Copyright FCI

mat'l. code		surface	tolerance	projection	product family
		ISO 1302	ISO 406 ISO 1101		HEADER
ltr	ecn no	dr	date	title	
U				FRICION LATCH HEADER SINGLE ROW VERTICAL	
		angles	linear	INCH/MM	
			.XX±.01/.XX±0.3		
			.XXX±.005/.XX±0.13		
			.XXXX±.0020/.XXX±0.05	scale 4:1	
		dr	M.CLOUSER 11/27/90	dwg no	
		enr	C.TREXTLER 11/27/90	sheet 2 of 4 size	
		chr	C.TREXTLER 11/27/90	69167 A3	
		appd	C.TREXTLER 11/27/90	type Product Customer Drawing	
sheet	revision				
index	sheet				

PRODUCT NUMBER	NO OF POS	DIM K	DIM L	TAIL LENGTH DIM M	POLARIZATION PIN POSITION
69167-X43	1 X 3	.300/7.62	.200/5.08	.190/4.83	
69167-X44	1 X 4	.400/10.16	.300/7.62	.190/4.83	
69167-X45	1 X 5	.500/12.70	.400/10.16	.190/4.83	
69167-X46	1 X 6	.600/15.24	.500/12.70	.190/4.83	
69167-X47	1 X 7	.700/17.78	.600/15.24	.190/4.83	
69167-X48	1 X 8	.800/20.32	.700/17.78	.190/4.83	
69167-X49	1 X 9	.900/22.86	.800/20.32	.190/4.83	
69167-X50	1 X 10	1.000/25.40	.900/22.86	.190/4.83	
69167-X51	1 X 11	1.100/27.94	1.000/25.40	.190/4.83	
69167-X52	1 X 12	1.200/30.48	1.100/27.94	.190/4.83	
69167-X53	1 X 13	1.300/33.02	1.200/30.48	.190/4.83	
69167-X54	1 X 14	1.400/35.56	1.300/33.02	.190/4.83	
69167-X55	1 X 15	1.500/38.10	1.400/35.56	.190/4.83	
69167-X56	1 X 16	U N A V A I L A B L E			
69167-X57	1 X 17	U N A V A I L A B L E			
69167-X58	1 X 18	U N A V A I L A B L E			
69167-X59	1 X 19	U N A V A I L A B L E			
69167-X60	1 X 20	U N A V A I L A B L E			
69167-X61	1 X 21	U N A V A I L A B L E			
69167-X62	1 X 22	U N A V A I L A B L E			
69167-X63	1 X 23	U N A V A I L A B L E			
69167-X64	1 X 24	U N A V A I L A B L E			
69167-X65	1 X 25	U N A V A I L A B L E			
69167-X66	1 X 26	U N A V A I L A B L E			
69167-X67	1 X 27	U N A V A I L A B L E			
69167-X68	1 X 28	U N A V A I L A B L E			
69167-X69	1 X 29	U N A V A I L A B L E			
69167-X70	1 X 30	U N A V A I L A B L E			
69167-X71	1 X 31	U N A V A I L A B L E			
69167-X72	1 X 32	U N A V A I L A B L E			
69167-X73	1 X 33	U N A V A I L A B L E			
69167-X74	1 X 34	U N A V A I L A B L E			
69167-X75	1 X 35	U N A V A I L A B L E			
69167-X76	1 X 36	U N A V A I L A B L E			
69167-X77	1 X 10	1.000/25.40	.900/22.86	.120/3.05	2/3/5/6/8/9
69167-X78	1 X 4	1.000/25.40	.900/22.86	.120/3.05	2/3

mat'l. code		surface ISO 1302	tolerance ISO 406 ISO 1101	projection 	product family HEADER
ltr	ecn no	dr	date	tolerances unless otherwise specified	title
U				angles linear XX±.01/XX±0.3 XXX±.005/XXX±0.13 XXXX±.0020/XXXX±0.05	FRICTION LATCH HEADER SINGLE ROW VERTICAL
				0'±2'	INCH/MM scale 4:1
		dr	M.CLOUSER	11/27/90	dwg no
		enr	C.TREXTLER	11/27/90	sheet 3 of 4
		chr	C.TREXTLER	11/27/90	size
		appd	C.TREXTLER	11/27/90	69167
sheet index	revision sheet				A3
					type Product Customer Drawing



Copyright FCI