



Chipsmall Limited consists of a professional team with an average of over 10 year of expertise in the distribution of electronic components. Based in Hongkong, we have already established firm and mutual-benefit business relationships with customers from,Europe,America and south Asia,supplying obsolete and hard-to-find components to meet their specific needs.

With the principle of “Quality Parts,Customers Priority,Honest Operation,and Considerate Service”,our business mainly focus on the distribution of electronic components. Line cards we deal with include Microchip,ALPS,ROHM,Xilinx,Pulse,ON,Everlight and Freescale. Main products comprise IC,Modules,Potentiometer,IC Socket,Relay,Connector.Our parts cover such applications as commercial,industrial, and automotives areas.

We are looking forward to setting up business relationship with you and hope to provide you with the best service and solution. Let us make a better world for our industry!



Contact us

Tel: +86-755-8981 8866 Fax: +86-755-8427 6832

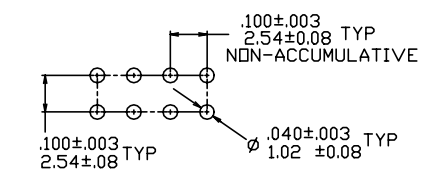
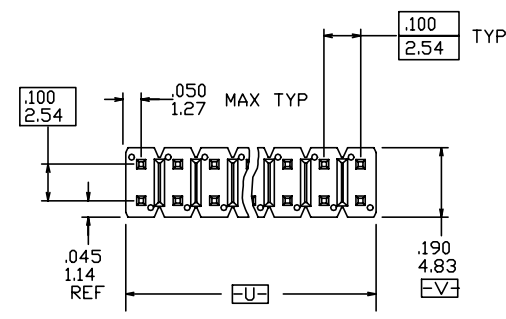
Email & Skype: info@chipsmall.com Web: www.chipsmall.com

Address: A1208, Overseas Decoration Building, #122 Zhenhua RD., Futian, Shenzhen, China



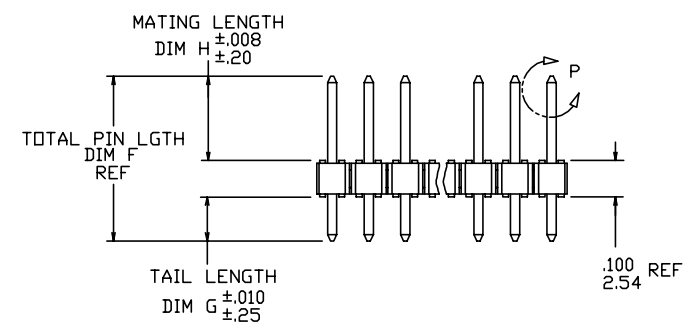
PRODUCT NUMBER
XXXXX-YYYHTLF

- LEAD FREE OPTION
SEE NOTE 1,10
- TUBE PACKAGING OPTION
SEE NOTE 1
- HIGH TEMPERATURE PLASTIC
SEE NOTE 1
- NO OF POSITIONS
SEE NOTE 1
- PIN PLATING
SEE SHEET 2
- BASE PART NO.

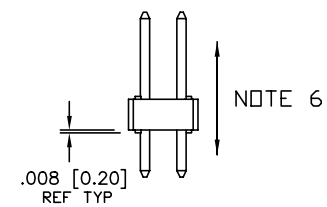


TOP VIEW

RECOMMENDED HOLE PATTERN

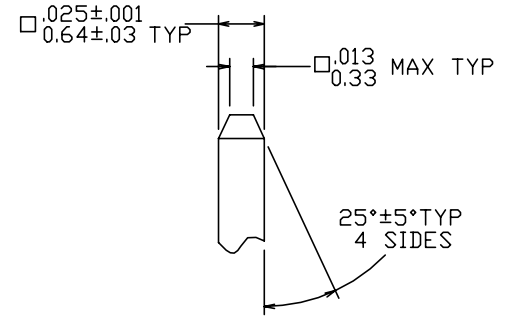


SIDE VIEW



END VIEW

⊕ ∅ .020/.51 (M) U (M) V (S)
NOTE 4



DETAIL P
TYP BOTH ENDS

ELX-N-16105

| rev | ecn no | dr | date |
|-----|-------------|-----|------------|
| AP | ELX-N-16105 | ZK | 2013-10-22 |
| AJ | M05-0072 | MHT | 5/03/05 |
| AK | M06-0269 | MHT | 7/17/06 |
| AL | M06-0346 | MHT | 9/04/06 |
| AM | M08-0291 | MHT | 10/06/08 |
| AN | N11-0118 | J.Z | 2011-04-12 |

| | | | | | |
|---|--------------|-------------------------|---------------------------------------|------------------------|--------------|
| www.fciconnect.com | | surface 6.4 ISO 1302 | tolerance std ISO 406 ISO 1101 | projection ISO 1101 | INCH/MM |
| Dr | T. BREWBAKER | 7/29/94 | TOLERANCES UNLESS OTHERWISE SPECIFIED | | ↔ |
| Eng | T.HANNA | 7/29/94 | ANGULAR | 0.X ±.3 | size A4 |
| Chr | J. MURPHY | 7/29/94 | LINEAR | 0.XX ±.15 | Scale 1.000 |
| Appr | T.HANNA | 7/29/94 | 0° ±2° | 0.XXX ±.05 | ECN |
| Product family | | | BERGSTIK | Spec ref | |
| title BERGSTIK® II HEADER .100/2.54 DR SELF-RET | | | | dwg no 69192 | Rev. AP |
| catalog no | | | | CUSTOMER | sheet 1 of 4 |



Copyright FCI.

PIN PLATING CODES:

| | |
|------------|---|
| XXXX-1YY | 30u"/0.76u MIN (SEE NOTE 11) OVER 50u"/1.27u MIN Ni |
| XXXX-2YY | 15u"/0.38u MIN (SEE NOTE 11) OVER 50u"/1.27u MIN Ni |
| XXXX-3YY | 50u"/1.27u MIN (SEE NOTE 11) OVER 50u"/1.27u MIN Ni |
| XXXX-4YY | 100u"/2.54u MIN Sn OVER 50u"/1.27u MIN Ni (SEE NOTE 12) |
| XXXX-4YHLF | |
| XXXX-5YY | 15u"/0.38u MIN (SEE NOTE 11) OVER 50u"/1.27u MIN Ni |
| XXXX-6YY | 30u"/0.76u MIN (SEE NOTE 11) OVER 50u"/1.27u MIN Ni |
| XXXX-7YY | 30u"/0.76u MIN (SEE NOTE 11) OVER 50u"/1.27u MIN Ni |
| XXXX-8YY | 15u"/0.38u MIN (SEE NOTE 11) OVER 50u"/1.27u MIN Ni |
| XXXX-9YY | 15u"/0.38u MIN (SEE NOTE 11) OVER 50u"/1.27u MIN Ni |
| XXXX-0YY | 30u"/0.76u MIN (SEE NOTE 11) OVER 50u"/1.27u MIN Ni |

NOTES

① PART NUMBER OPTIONS:

PIN PLATING CODES (SEE ABOVE)

HIGH TEMP. MATERIAL:

FOR HIGH-TEMPERATURE APPLICATIONS, SPECIFY AN "H" AT THE END OF THE PART NUMBER, AND PCT WILL BE SUPPLIED.

NUMBER OF POSITION:

ANY NUMBER OF POSITIONS FROM 2 (2X1) THRU 72 (2X36).

PACKAGING:

PACKAGED IN POLY BAGS.

EIGHT DIGIT PART NUMBERS FOLLOWED BY A "T" ARE PACKAGED IN TUBES. SEE SPECIFIC PART NUMBERS FOR AVAILABILITY.

LEAD FREE:

ADD "HLF" SUFFIX AT THE END OF PART NUMBER FOR LEAD FREE OPTION, NOT AVAILABLE FOR -5YY,-5YYH,-6YY & -6YYH.

② BODY MATERIAL:

MANUFACTURER'S OPTION OF NYLON OR PCT, GLASS FIBER REINFORCED, FLAME RETARDENT PER UL-94V-0.

COLOR: BLACK. OR

MINERAL FILLED LCP, COLOR BLACK

FLAME RETARDENT PER UL-94V-0

PART NUMBERS WITH "H" SUFFIX WILL WITHSTAND EXPOSURE TO 260°C PEAK TEMPERATURE FOR 20 SECONDS IN WAVE SOLDER, INFRA-RED OR VAPOR PHASE SOLDER PROCESS.

PART NUMBERS WITHOUT "H" SUFFIX WILL WITHSTAND EXPOSURE TO 260°C PEAK TEMPERATURE FOR WAVE SOLDER PROCESS.

- ③. PIN MATERIAL: PHOS-BRONZE.
- ④. MEASURED WITH PART IN RESTRAINED CONDITION.
- 5. TWO SIDES OF PIN TIPS NOT PLATED. TYPICAL BOTH ENDS.
- ⑥. 2LBS/0.9KG MIN PIN RETENTION IN EITHER DIRECTION.
- ⑦. ±.010/0.25 TOL. APPLIES TO ALL "G" TAILS EXCEPT INDICATED PARTS ON TABLE WHERE +.010/0.25,-.000/0.00 APPLIES.
- ⑧. SECTION R-R DIMENSIONS APPLY TO RETENTION PIN POSITIONS ONLY LOCATED AT MANUFACTURES OPTION.
- 9. 5LB/2.3KG MAX INSERTION FORCE AND .25LB/.1KG MIN RETENTION FORCE PER RETENTIVE PIN USING .062/1.57 THICK CIRCUIT BOARDS AND RECOMMENDED HOLE PATTERN.
- ⑩. THESE PRODUCTS MEETS EUROPEAN UNION DIRECTIVES AND OTHER COUNTRY REGULATION AS DESCRIBED IN GS-22-008.
- ⑪. PLATING OPTIONS:
PERFORMANCE PLATING WILL BE EITHER GOLD OR GXT ON POST OR TAIL, OPTIONALLY (78~295u"/2~7.5u) TIN ON TAIL.
- ⑫. THIS PRODUCT HAS 100% TIN PLATING IN THE INTERFACE AND HAS NOT BEEN TESTED FOR WHISKER GROWTH IN ALL INTERCONNECT ENVIRONMENTS."



Copyright FCI.

| | | | | | | | |
|--------------------|--------------|---------|---------------------------------------|--------------------------------|-----------------------|---------|--------------|
| www.fciconnect.com | | | surface ISO 1302 ✓ | tolerance std ISO 406 ISO 1101 | projection | INCH/MM | |
| | | | TOLERANCES UNLESS OTHERWISE SPECIFIED | | | | |
| Dr | T. BREWBAKER | 7/29/94 | ANGULAR | LINEAR | 0.X | ±0.3 | size A4 |
| Eng | T.HANNA | 7/29/94 | | | 0.XX | ±0.15 | |
| Chr | J. MURPHY | 7/29/94 | 0° | ±2° | 0.XXX | ±0.05 | ECN |
| Appr | T.HANNA | 7/29/94 | Product family | | BERGSTIK | | Spec ref |
| | | | title | | BERGSTIK® II HEADER | | dwg no 69192 |
| | | | | | .100/2.54 DR SELF-RET | | |
| | | | catalog no | | CUSTOMER | | sheet 2 of 4 |

1

2

3

4

A

B

C

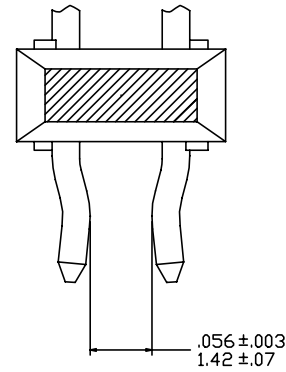
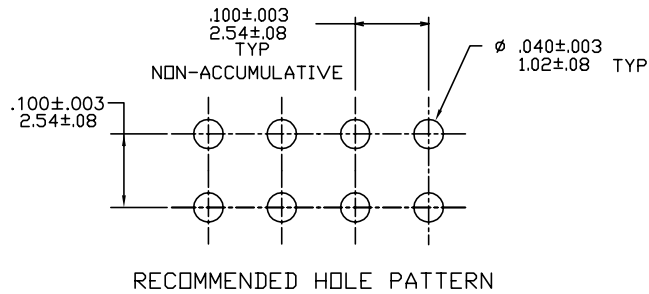
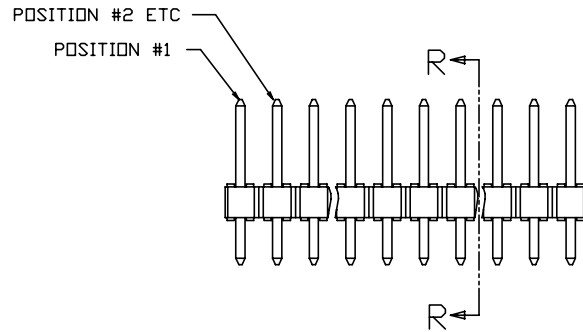
D

A

B

C

D



SECTION R-R
NOTE 8



Copyright FCI.

| | | | | | | | | | | | |
|--------------------|--------------|---------|---------------------------------------|--------|---------------------------------------|-------|---------------------|----|--------------|--|------|
| www.fciconnect.com | | | surface ISO 1302 ✓ | | tolerance std ISO 406 ISO 1101 | | projection A4 | | INCH/MM ↔ | | |
| | | | TOLERANCES UNLESS OTHERWISE SPECIFIED | | TOLERANCES UNLESS OTHERWISE SPECIFIED | | | | | | |
| Dr | T. BREWBAKER | 7/29/94 | ANGULAR | LINEAR | 0.X | ±0.3 | size | A4 | Scale | | |
| Eng | T.HANNA | 7/29/94 | | | 0.XX | ±0.15 | | | 1.000 | | |
| Chr | J. MURPHY | 7/29/94 | 0° | ±2° | 0.XXX | ±0.05 | ECN | | | | |
| Appr | T.HANNA | 7/29/94 | Product family | | BERGSTIK | | Spec ref | | | | |
| FCI | | | title | | | | BERGSTIK® II HEADER | | dwg no | | Rev. |
| | | | .100/2.54 DR SELF-RET | | | | 69192 | | | | AP |
| | | | catalog no | | | | CUSTOMER | | sheet 3 of 4 | | |

1

2

3

4

| PRODUCT NUMBER | TOTAL PIN LENGTH | | TAIL LENGTH | | MATING LENGTH | | PACKAGING | NOTES | LF OPTION |
|----------------------|-----------------------|------------------|------------------|-----------------|------------------|------------------|----------------------------|--------------|--------------|
| | DIM F | DIM F | DIM G | DIM G | DIM H | DIM H | | | |
| | ENGLISH | METRIC | ENGLISH | METRIC | ENGLISH | METRIC | | | |
| 69192-XY | 0.450 | 11.43 | 0.120 | 3.05 | 0.230 | 5.84 | POLY BAGS/TUBES | | NOTE 1,10 |
| 78252-XY | U N A V A I L A B L E | | | | | | | | |
| 78548-XY | 0.538 | 13.67 | 0.120 | 3.05 | 0.318 | 8.08 | POLY BAGS | | |
| 78577-XY | 0.650 | 16.51 | 0.120 | 3.05 | 0.430 | 10.92 | POLY BAGS | | OB |
| 79214-XY | 0.620 | 15.75 | 0.120 | 3.05 | 0.400 | 10.16 | POLY BAGS | | OB |
| 79979-XY | 0.450 | 11.43 | 0.120 | 3.05 | 0.230 | 5.84 | POLY BAGS/TUBES | 7 | OB |
| 86380-XY | 0.470 | 11.94 | 0.120 | 3.05 | 0.250 | 6.35 | POLY BAGS | | |
| 86584-XY | 0.760 | 19.30 | 0.120 | 3.05 | 0.540 | 13.72 | POLY BAGS | | OB |
| 87444-XY | 1.090 | 27.69 | 0.125 | 3.18 | 0.865 | 21.97 | POLY BAGS | | OB |
| 87456-XY | 0.840 | 21.34 | 0.120 | 3.05 | 0.620 | 15.75 | POLY BAGS | | OB |
| 87457-XY | 0.990 | 25.15 | 0.120 | 3.05 | 0.770 | 19.56 | POLY BAGS | | OB |
| 87837-XY | 0.585 | 14.86 | 0.120 | 3.05 | 0.365 | 9.27 | POLY BAGS | | OB |
| 87920-XY | 0.830 | 21.08 | 0.120 | 3.05 | 0.610 | 15.49 | POLY BAGS | | OB |
| 88526-XY | 1.340 | 34.04 | 0.120 | 3.05 | 1.120 | 28.45 | POLY BAGS | | OB |
| 88714-XY | 0.640 | 16.26 | 0.120 | 3.05 | 0.420 | 10.67 | POLY BAGS | | OB |
| 89580-XY | 0.930 | 23.62 | 0.120 | 3.05 | 0.710 | 18.03 | POLY BAGS | | OB |
| 90824-XY | 0.420 | 10.67 | 0.120 | 3.05 | 0.200 | 5.08 | POLY BAGS | | |
| 94654-XYH | 0.415 | 10.54 | 0.085 | 2.16 | 0.230 | 5.84 | POLY BAGS | | |
| 95066-XYH | 1.240 | 31.50 | 0.120 | 3.05 | 1.020 | 25.91 | POLY BAGS | | NOTE 1,10 |
| 95654-XYH | 0.880 | 22.35 | 0.120 | 3.05 | 0.660 | 16.76 | POLY BAGS | | OB |
| 98845-XYH | 0.572 | 14.54 | 0.120 | 3.00 | 0.354 | 9.00 | POLY BAGS/TUBES | | OB |
| 10002463-XYH | 0.503 | 12.78 | 0.085 | 2.16 | 0.318 | 8.08 | POLY BAGS | | OB |



Copyright FCI.

| | | | | | | | |
|--------------------|--------------|---------|---|-----------------------------------|-----------------------|--------------|-----------------|
| www.fciconnect.com | | | surface ISO 1302 <input checked="" type="checkbox"/> | tolerance std ISO 406 ISO 1101 | projection | INCH/MM | |
| | | | TOLERANCES UNLESS OTHERWISE SPECIFIED | | | ← → | |
| Dr | T. BREWBAKER | 7/29/94 | ANGULAR | LINEAR | 0.X | ±0.3 | size A4 |
| Eng | T.HANNA | 7/29/94 | | | 0.XX | ±0.15 | Scale 1.000 |
| Chr | J. MURPHY | 7/29/94 | 0° | ±2° | 0.XXX | ±0.05 | ECN |
| Appr | T.HANNA | 7/29/94 | Product family | | BERGSTIK | Spec ref | |
| | title | | | | BERGSTIK® II HEADER | | dwg no 69192 |
| | | | | | .100/2.54 DR SELF-RET | | |
| catalog no | | | | | CUSTOMER | | Rev. AP |
| | | | | | | sheet 4 of 4 | |