



Chipsmall Limited consists of a professional team with an average of over 10 year of expertise in the distribution of electronic components. Based in Hongkong, we have already established firm and mutual-benefit business relationships with customers from,Europe,America and south Asia,supplying obsolete and hard-to-find components to meet their specific needs.

With the principle of “Quality Parts,Customers Priority,Honest Operation,and Considerate Service”,our business mainly focus on the distribution of electronic components. Line cards we deal with include Microchip,ALPS,ROHM,Xilinx,Pulse,ON,Everlight and Freescale. Main products comprise IC,Modules,Potentiometer,IC Socket,Relay,Connector.Our parts cover such applications as commercial,industrial, and automotives areas.

We are looking forward to setting up business relationship with you and hope to provide you with the best service and solution. Let us make a better world for our industry!



Contact us

Tel: +86-755-8981 8866 Fax: +86-755-8427 6832

Email & Skype: info@chipsmall.com Web: www.chipsmall.com

Address: A1208, Overseas Decoration Building, #122 Zhenhua RD., Futian, Shenzhen, China



1

2

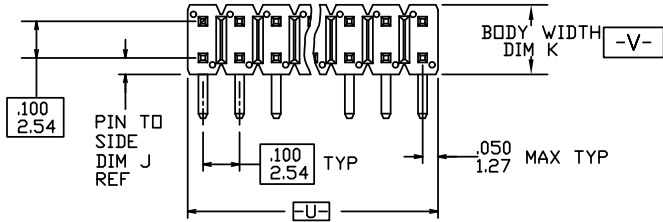
3

4

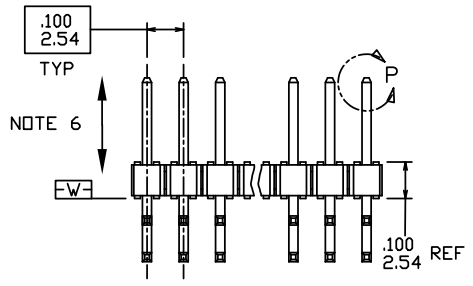
PRODUCT NUMBER

XXXXX-YYYHTLF

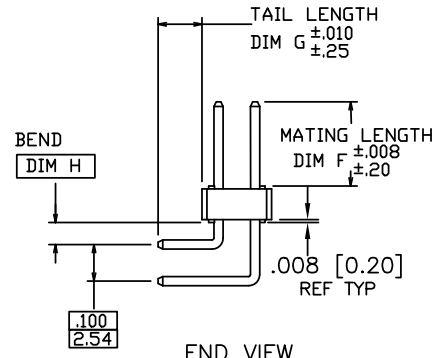
- LEAD FREE OPTION
SEE NOTE 1,11
- TUBE PACKAGING OPTION
SEE NOTE 1
- HIGH TEMPERATURE PLASTIC
SEE NOTE 1
- NO OF POSITIONS
SEE NOTE 1
- PIN PLATING
SEE SHEET 2
- BASE PART NO.



TOP VIEW

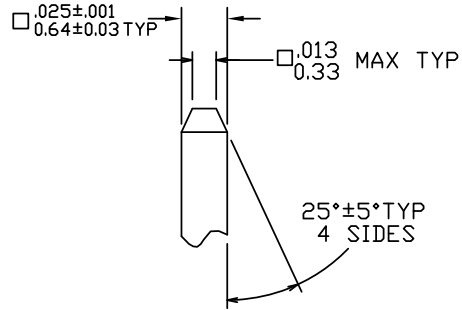


SIDE VIEW



END VIEW

⊕ ∅ .020/.51 (M) U (M) V (S) W
NOTE 4



DETAIL P
TYP BOTH ENDS

rev	ecn no	dr	date
AB	V20801	MHT	4/29/02
AC	M04-0234	AGS	12/29/05
AD	M05-0072	MHT	5/03/05
AE	M06-0269	MHT	7/17/06
AF	M06-0346	MHT	9/04/06
AG	M08-0291	MHT	10/06/08
AH	N11-0118	J.Z	2011-04-12

www.fciconnect.com			surface 6.4 ISO 1302	tolerance std ISO 406 ISO 1101	projection ISO 1101	INCH/MM
Dr	D. WITHING	4/08/93	TOLERANCES UNLESS OTHERWISE SPECIFIED		size	A4
Eng	T.HANNA	4/08/93	ANGULAR	LINEAR	0.X ±0.3	Scale 1.000
Chr	T.HANNA	4/08/93	0° ±2°		0.XX ±0.15	
Appr	T.HANNA	4/08/93			0.XXX ±0.05	ECN N11-0118
			Product family	BERGSTIK	Spec ref	
FCI			title		BERGSTIK® II HEADER	Rev. AH
			catalog no		.100 DR R/A SELF-RET	
			dwg no		69193	
			CUSTOMER			sheet 1 of 4



Copyright FCI.

1

2

PIN PLATING CODES:

XXXX-1YY	30u"/0.76u MIN (SEE NOTE 12) OVER 50u"/1.27u MIN Ni
XXXX-2YY	15u"/0.38u MIN (SEE NOTE 12) OVER 50u"/1.27u MIN Ni
XXXX-3YY	50u"/1.27u MIN (SEE NOTE 12) OVER 50u"/1.27u MIN Ni
XXXX-4YY	100u"/2.54u MIN Sn OVER 50u"/1.27u MIN Ni (SEE NOTE 13)
XXXX-4YYHLF	
XXXX-5YY	15u"/0.38u MIN (SEE NOTE 12) OVER 50u"/1.27u MIN Ni
XXXX-6YY	30u"/0.76u MIN (SEE NOTE 12) OVER 50u"/1.27u MIN Ni
XXXX-7YY	30u"/0.76u MIN (SEE NOTE 12) OVER 50u"/1.27u MIN Ni
XXXX-8YY	15u"/0.38u MIN (SEE NOTE 12) OVER 50u"/1.27u MIN Ni
XXXX-9YY	15u"/0.38u MIN (SEE NOTE 12) OVER 50u"/1.27u MIN Ni
XXXX-0YY	30u"/0.76u MIN (SEE NOTE 12) OVER 50u"/1.27u MIN Ni

NOTES

1. PART NUMBER OPTIONS:

PIN PLATING CODES (SEE ABOVE)

HIGH TEMP. MATERIAL:

FOR HIGH-TEMPERATURE APPLICATIONS, SPECIFY AN "H" AT THE END OF THE PART NUMBER, AND PCT WILL BE SUPPLIED.

NUMBER OF POSITION:

ANY NUMBER OF POSITIONS FROM 2 (2X1) THRU 72 (2X36).

PACKAGING:

PACKAGED IN POLY BAGS.

EIGHT DIGIT PART NUMBERS FOLLOWED BY A "T" ARE PACKAGED IN TUBES. SEE SPECIFIC PART NUMBERS FOR AVAILABILITY.

LEAD FREE:

ADD "HLF" SUFFIX AT THE END OF PART NUMBER FOR LEAD FREE OPTION, NOT AVAILABLE FOR -5YY,-5YYH,-6YY & -6YYH.

2. BODY MATERIAL:

MANUFACTURER'S OPTION OF NYLON OR PCT, GLASS FIBER REINFORCED, FLAME RETARDENT PER UL-94V-0.

COLOR: BLACK OR MINERAL FILLED LCP, COLOR BLACK FLAME RETARDENT PER UL-94V-0.

PART NUMBERS WITH "H" SUFFIX WILL WITHSTAND EXPOSURE TO 260°C PEAK TEMPERATURE FOR 20 SECONDS IN WAVE SOLDER, INFRA-RED OR VAPOR PHASE SOLDER PROCESS.

PART NUMBERS WITHOUT "H" SUFFIX WILL WITHSTAND EXPOSURE TO 260°C PEAK TEMPERATURE FOR WAVE SOLDER PROCESS.

3. PIN MATERIAL: PHOS-BRONZE.

4. MEASURED WITH PART IN RESTRAINED CONDITION.

5. TWO SIDES OF PIN TIPS NOT PLATED. TYPICAL BOTH ENDS.

6. 2LBS/0.9KG MIN PIN RETENTION IN EITHER DIRECTION.

7. ±.010/0.25 TOL. APPLIES TO ALL "G" TAILS EXCEPT INDICATED PARTS ON TABLE WHERE +.010/0.25,-.000/0.00 APPLIES.

8. SECTION R-R DIMENSIONS APPLY SPECIFIED ENDS OF RETENTION PIN POSITIONS ONLY. SEE PRODUCT PART NUMBER FOR SINGLE OR DUAL SIDE RETENTION LOCATED AT MANUFACTURES OPTION.

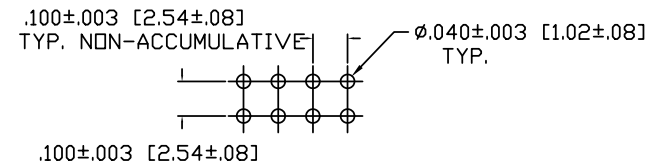
9. SECTION S-S DIMENSIONS APPLY TO DUAL RETENTION PIN POSITIONS ONLY, SEE PRODUCT PART NUMBER FOR SINGLE OR DUAL SIDE RETENTION. LOCATED AT MANUFACTURES OPTION.

10. 5LB/2.3KG MAX INSERTION FORCE AND .25LB/.1KG MIN RETENTION FORCE PER RETENTIVE PIN USING .062/1.57 THICK CIRCUIT BOARDS AND RECOMMENDED HOLE PATTERN.

11. THESE PRODUCTS MEETS EUROPEAN UNION DIRECTIVES AND OTHER COUNTRY REGULATION AS DESCRIBED IN GS-22-008.

12. PLATING OPTIONS: PERFORMANCE PLATING WILL BE EITHER GOLD OR GXT ON POST OR TAIL, OPTIONALLY (78~295u"/2~7.5u) TIN ON TAIL.

13. THIS PRODUCT HAS 100% TIN PLATING IN THE INTERFACE AND HAS NOT BEEN TESTED FOR WHISKER GROWTH IN ALL INTERCONNECT ENVIRONMENTS."



RECOMMENDED HOLE PATTERN

www.fciconnect.com			surface ISO 1302 ✓	tolerance std ISO 406 ISO 1101	projection INCH/MM
			TOLERANCES UNLESS OTHERWISE SPECIFIED		← →
Dr	D. WITTING	4/08/93	ANGULAR	0.X ±0.3	size A4
Eng	T.HANNA	4/08/93	LINEAR	0.XX ±0.15	Scale 1.000
Chr	T.HANNA	4/08/93	0° ±2°	0.XXX ±0.05	ECN N11-0118
Appr	T.HANNA	4/08/93	Product family	BERGSTIK	Spec ref
FCI		title	BERGSTIK® II HEADER .100 DR R/A SELF-RET		Rev. AH
		catalog no	CUSTOMER		sheet 2 of 4
			dwg no 69193		



Copyright FCI.

1

2

3

4

A

B

C

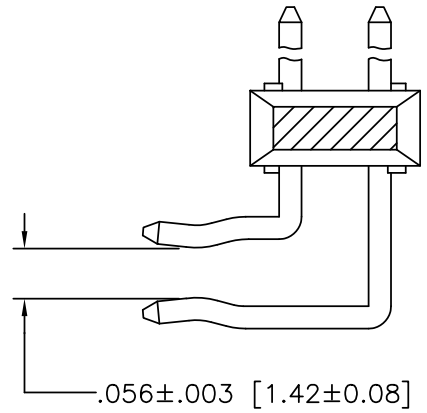
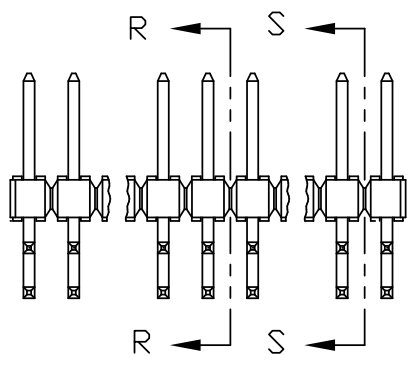
D

A

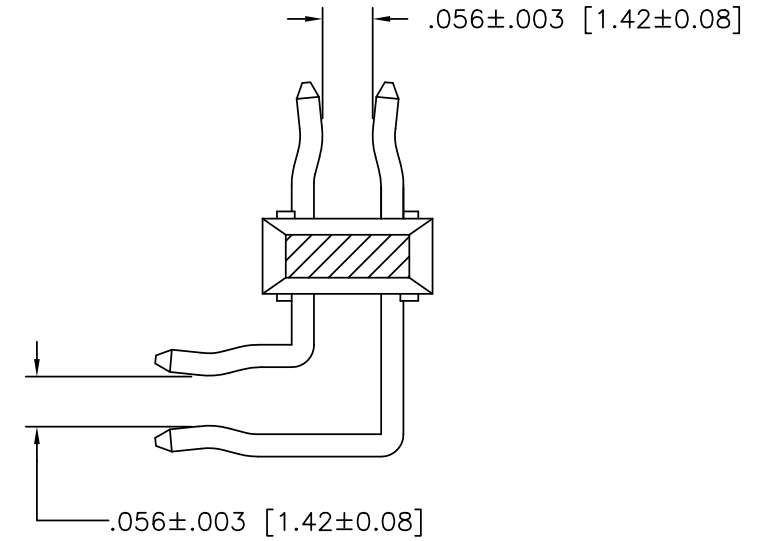
B

C

D



SECTION R-R
NOTE 8



SECTION S-S
NOTE 9



Copyright FCI.

REV F - 2006-04-17

www.fciconnect.com			surface ISO 1302 ✓		tolerance std ISO 406 ISO 1101		projection ⊕		INCH/MM ↔	
TOLERANCES UNLESS OTHERWISE SPECIFIED			ANGULAR		LINEAR		size A4		Scale 1.000	
Dr	D. WITHING	4/08/93	0°		±2°		0.X		±0.3	
Eng	T.HANNA	4/08/93	0.XX		±0.15		0.XXX		±0.05	
Chr	T.HANNA	4/08/93	ECN		N11-0118		Product family		BERGSTIK	
Appr	T.HANNA	4/08/93	Spec ref				dwg no		69193	
title			BERGSTIK® II HEADER		.100 DR R/A SELF-RET		Rev.		AH	
catalog no			CUSTOMER		sheet 3 of 4					

PDM: Rev:AH

STATUS Released

4 Printed: Apr 20, 2011

1

2

3

4

PRODUCT NUMBER	MATING LENGTH		TAIL LENGTH		BEND DIM.		PIN TO SIDE		BODY WIDTH		RETENTION	LOCATION	PACKAGING	NOTES	LF OPTION
	DIM F	DIM F	DIM G	DIM G	DIM H	DIM H	DIM J	DIM J	DIM K	DIM K					
69193-XXY	0.230	5.84	0.120	3.05	0.060	1.52	0.045	1.14	0.190	4.83	G TAIL	POLY BAGS	-	NOTE 1,11 ↓	
78253-XXY	N O T A V A I L A B L E														
78276-XXY	0.318	8.08	0.120	3.05	0.060	1.52	0.070	1.78	0.240	6.10	G TAIL	POLY BAGS/TUBES	-		
78299-XXY	0.230	5.84	0.120	3.05	0.060	1.52	0.070	1.78	0.240	6.10	G TAIL	POLY BAGS/TUBES	-		
86381-XXY	0.250	6.35	0.120	3.05	0.060	1.52	0.070	1.78	0.240	6.10	G TAIL	POLY BAGS	-		
87227-XXY	0.318	8.08	0.120	3.05	0.060	1.52	0.045	1.14	0.190	4.83	G TAIL	POLY BAGS	-		
87801-XXY	N O T A V A I L A B L E														
87845-XXY	0.230	5.84	0.085	2.16	0.060	1.52	0.070	1.78	0.240	6.10	G TAIL	POLY BAGS/TUBES	7		
90305-XXY	0.165	4.19	0.120	3.05	0.060	1.52	0.070	1.78	0.240	6.10	G TAIL	POLY BAGS/TUBES	7		
93150-XXY	0.275	6.99	0.120	3.05	0.060	1.52	0.045	1.14	0.190	4.83	G TAIL	POLY BAGS	-		
93240-XXY	0.338	8.59	0.120	3.05	0.060	1.52	0.070	1.78	0.240	6.10	G TAIL	POLY BAGS	-		
94048-XXYH	0.380	9.65	0.120	3.05	0.060	1.52	0.070	1.78	0.240	6.10	G TAIL	POLY BAGS	-		NOTE 1,11

A

A

B

B

C

C

D

D



Copyright FCI.

www.fciconnect.com			surface ISO 1302 ✓	tolerance std ISO 406 ISO 1101	projection 	INCH/MM ←→	
TOLERANCES UNLESS OTHERWISE SPECIFIED			TOLERANCES UNLESS OTHERWISE SPECIFIED		size A4		Scale 1.000
Dr	D. WITHING	4/08/93	ANGULAR	LINEAR	0.X	±0.3	ECN N11-0118
Eng	T.HANNA	4/08/93			0.XX	±0.15	
Chr	T.HANNA	4/08/93	0°	±2°	0.XXX	±0.05	Spec ref
Appr	T.HANNA	4/08/93	Product family BERGSTIK		CUSTOMER		
			title BERGSTIK® II HEADER .100 DR R/A SELF-RET		dwg no 69193		Rev. AH
catalog no			CUSTOMER		sheet 4 of 4		

REV F - 2006-04-17

1

2

PDM: Rev:AH

STATUS Released 4 Printed: Apr 20, 2011