



Chipsmall Limited consists of a professional team with an average of over 10 year of expertise in the distribution of electronic components. Based in Hongkong, we have already established firm and mutual-benefit business relationships with customers from,Europe,America and south Asia,supplying obsolete and hard-to-find components to meet their specific needs.

With the principle of “Quality Parts,Customers Priority,Honest Operation,and Considerate Service”,our business mainly focus on the distribution of electronic components. Line cards we deal with include Microchip,ALPS,ROHM,Xilinx,Pulse,ON,Everlight and Freescale. Main products comprise IC,Modules,Potentiometer,IC Socket,Relay,Connector.Our parts cover such applications as commercial,industrial, and automotives areas.

We are looking forward to setting up business relationship with you and hope to provide you with the best service and solution. Let us make a better world for our industry!



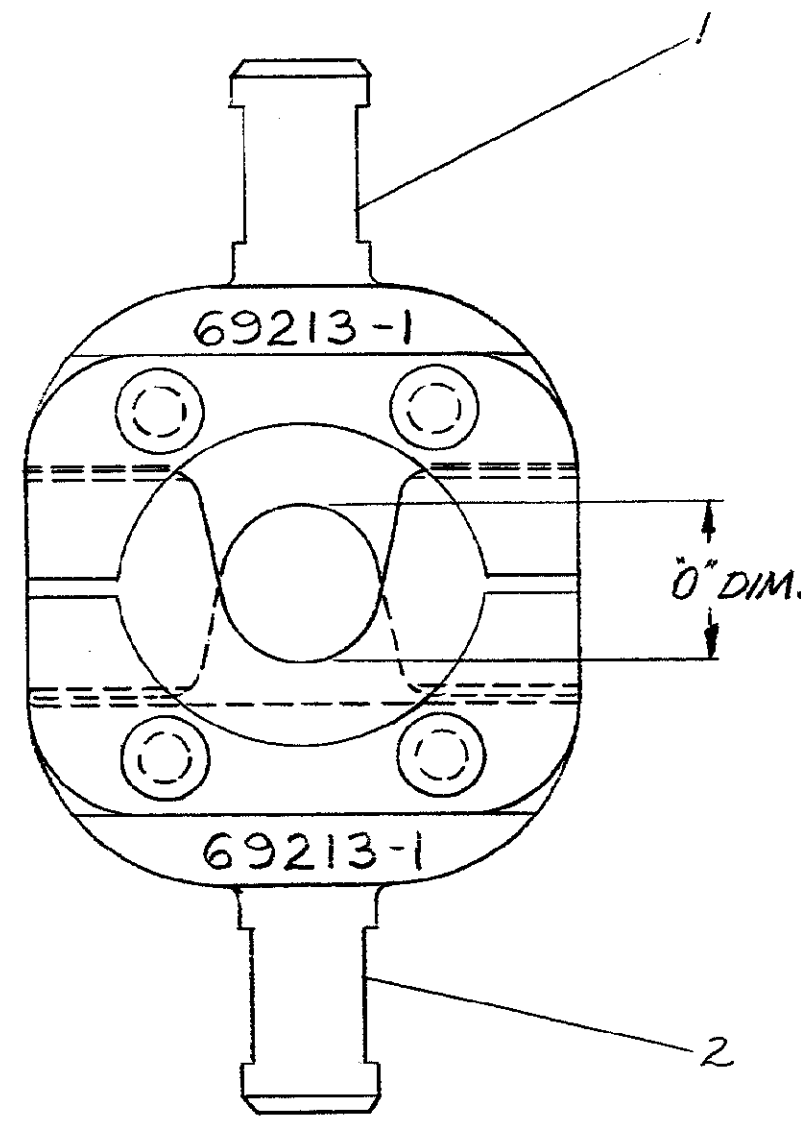
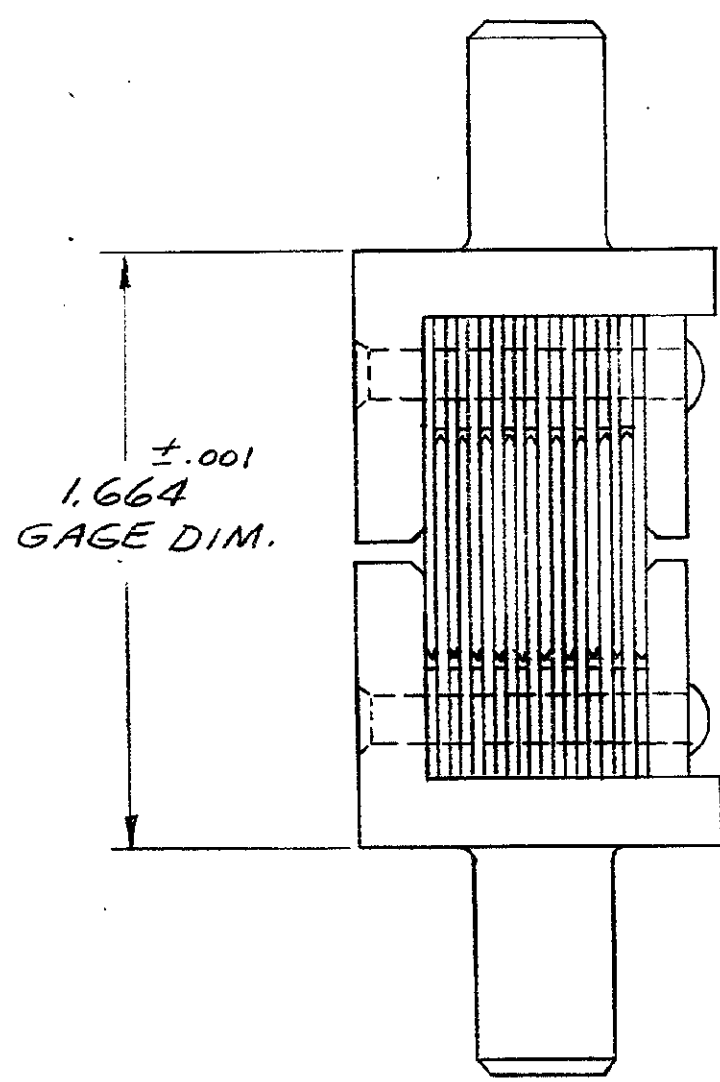
Contact us

Tel: +86-755-8981 8866 Fax: +86-755-8427 6832

Email & Skype: info@chipsmall.com Web: www.chipsmall.com

Address: A1208, Overseas Decoration Building, #122 Zhenhua RD., Futian, Shenzhen, China





0" DIM.	
GO	NO GO
.443	.451

DIMENSIONS IN INCHES. DO NOT SCALE PRINT.

PRINT DIST

1	B	306013-3	DIE ASSEMBLY-LOWER	2
1	B	306014-3	DIE ASSEMBLY-UPPER	1
DWG SIZE	NUMBER	NAME	REMARKS	ITEM NO

LTR	REVISION RECORD	DR	CHK	DATE
C	REVISED	LO	ENF	2-9-62
B	REVISED	RJ	ENF	1-12-62
A	REVISED	LO	ENF	1-12-62

NUMBER	DESCRIPTION
69213-1	

©1962 BY AMP INCORPORATED. ALL RIGHTS RESERVED.
AMP PRODUCTS COVERED BY PATENTS AND/OR PATENTS PENDING.

CUSTOMER COPY REFERENCE ONLY

AMP INCORPORATED HARRISBURG, PENNA.

DR: *L. Osman* 1-9-62
CHK: *E. Smith* 1-12-62

MATERIAL AND FINISH: _____
CLASS: _____

WIRE - RANGE - INSULATION: 4 - #

TYPE: "0" LAMINATED

TOLERANCE EXCEPT AS NOTED = .015 = 1" 0"

SCALE: 2-1

LOC: M
NO: B
REV: C

NAME: DIE ASSEMBLY