



Chipsmall Limited consists of a professional team with an average of over 10 year of expertise in the distribution of electronic components. Based in Hongkong, we have already established firm and mutual-benefit business relationships with customers from,Europe,America and south Asia,supplying obsolete and hard-to-find components to meet their specific needs.

With the principle of “Quality Parts,Customers Priority,Honest Operation,and Considerate Service”,our business mainly focus on the distribution of electronic components. Line cards we deal with include Microchip,ALPS,ROHM,Xilinx,Pulse,ON,Everlight and Freescale. Main products comprise IC,Modules,Potentiometer,IC Socket,Relay,Connector.Our parts cover such applications as commercial,industrial, and automotives areas.

We are looking forward to setting up business relationship with you and hope to provide you with the best service and solution. Let us make a better world for our industry!



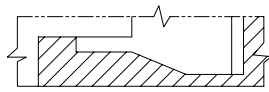
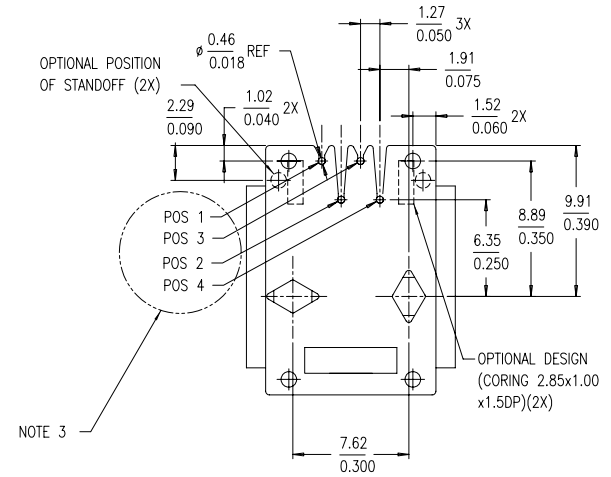
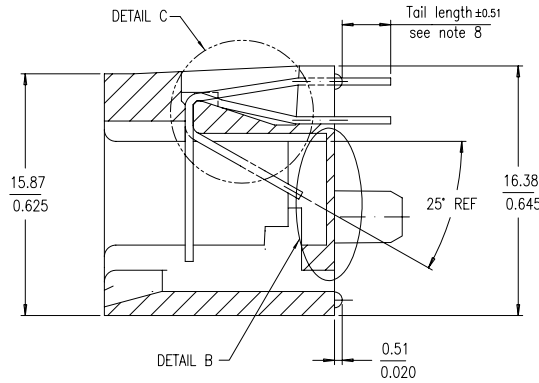
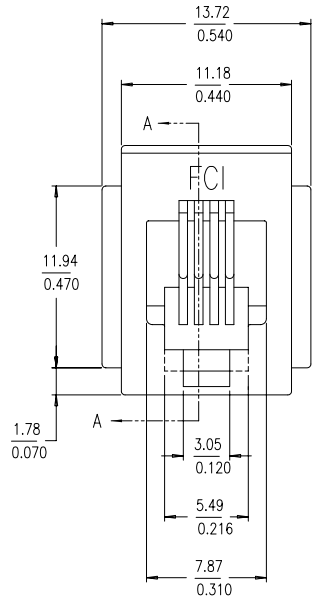
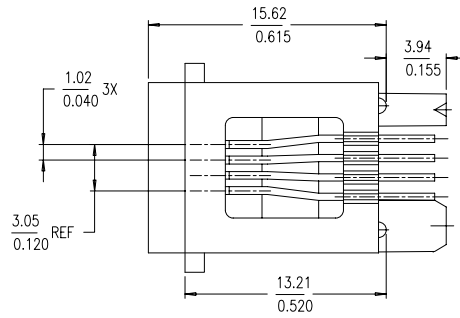
Contact us

Tel: +86-755-8981 8866 Fax: +86-755-8427 6832

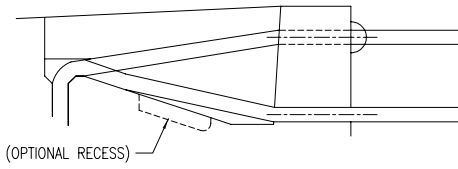
Email & Skype: info@chipsmall.com Web: www.chipsmall.com

Address: A1208, Overseas Decoration Building, #122 Zhenhua RD., Futian, Shenzhen, China





DETAIL B -90° ROTATED (OPTIONAL DESIGN BERG TAIWAN ONLY)



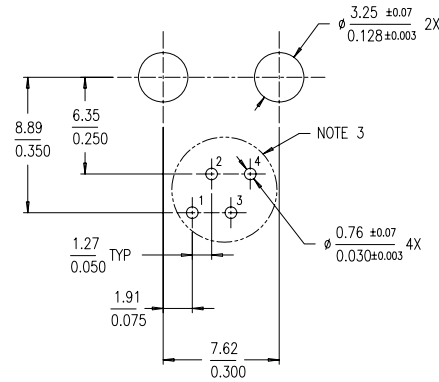
DETAIL C

mat'l. code		surface ISO1302		tolerance ISO1101 ISO406		projection		product family MOD JACK	
lfr ecn no dr date		tolerances unless otherwise specified		angles		mm		title	
N	S90142	JSR	10/4/99		0.X±0.3			4 POS VERTICAL	
P	N05-0002	YS	01/06/05		0.XX±0.15			P.C.B. MOD JACK ASSY	
R	N08-0170	SH MIAO	10/10/08	0°±2"	0.XXX±0.05		scale 2.0	dwg no sheet, 1 of 2 size	
S	N09-0092	SH MIAO	05/25/09	dr	C L FENG	02/21/97		69253 A4	
T	ELX-N-01070	SH MIAO	03/14/12	engr	TONY CHIEN	02/21/97		type Product Customer Drawing	
U	ELX-N-21224	J.H	06/24/15	chr	TONY CHIEN	02/21/97			
				appd	JENN TSAO	02/21/97			
sheet index	revision sheet	U	U						
		1	2						

PRODUCT NO.	POSITIONS LOADED	CONTACT PLATING	HOUSING COLOR	NOTES
69253-001 -001LF -011LF	ALL	5u" Au	BLACK	-
-002 -002LF -012LF	ALL	5u" Au	BLACK	-
-003 -003LF -013LF	ALL	5u" Au	BLACK	NOTE 1
-004 -004LF -014LF	ALL	50u" /1,27u GXT	BLACK	-
-005 -005LF -015LF	ALL	5u" Au	GREY	-
-006 -006LF -016LF	ALL	15u" GXT	BLACK	-
-202 -202LF -212LF	ALL	5u" Au	BLACK	-

NOTE :

- ① SPECIAL PACKAGING.
- 2 GXT IS 0,76um / 30u" OR 0,28um / 15u" MIN GXT WITH Au FLASH OVER 1,27um / 50u" MIN Ni.
- ③ THIS PIN NUMBERING IS OPPOSITE TO FCC, PART 68, SUBPART F REQUIREMENTS.
- 4 THIS PRODUCT MEETS EUROPEAN UNION DIRECTIVES AND OTHER COUNTRY REGULATIONS AS DESCRIBED IN GS-22-008.
- 5 THE HOUSING WILL WITHSTAND EXPOSURE TO 260°C PEAK TEMPERATURE FOR 10 SECONDS IN A WAVE SOLDER APPLICATION WITH A 1.6mm MINIMUM THICK CIRCUIT BOARD.
- 6 IF LF P/N PACKAGING MEETS GS-14-920 SPECIFICATION.
- ⑦ PLATING OPTIONS:
MAY BE EITHER GOLD OR GXT PLATED AT MANUFACTURER'S OPTION.
- 8 PART NUMBER:
69253-XXXLF



BOARD LAYOUT
VIEWED FROM TOP

- LEAD FREE PRODUCT NO.
SEE TABLE
- 0: MEETS WAVE SOLDER PROCESS PRODUCT NO.
- 1: MEETS PIP PROCESS PRODUCT NO.
- 0: TAIL LENGTH=3.18/.125.
- 2: TAIL LENGTH=4.00/.157.

mat'l. code		surface ISO1302 ✓		tolerance ISO1101 ISO406		projection mm		product family MOD JACK	
ltr	ecn no	dr	date	tolerances unless otherwise specified		mm		title	
N	S90142	JSR	10/4/99	angles	0.X±0.3	mm		4 POS VERTICAL	
P	N05-0002	YS	01/06/05	0°±2°	0.XX±0.15	scale 2.0		P.C.B. MOD JACK ASSY	
R	N08-0170	SH MAO	10/10/08		0.XXX±0.05			dwg no	
S	N09-0092	SH MAO	05/25/09	dr	C L FENG	02/21/97	sheet, 2 of 2		size
T	ELX-N-010701	SH MAO	03/14/12	engr	TONY CHIEN	02/21/97	FCI		69253
U	ELX-N-21224	J.H	06/24/15	chr	TONY CHIEN	02/21/97	type		Product Customer Drawing
sheet index		revision sheet							