



Chipsmall Limited consists of a professional team with an average of over 10 year of expertise in the distribution of electronic components. Based in Hongkong, we have already established firm and mutual-benefit business relationships with customers from,Europe,America and south Asia,supplying obsolete and hard-to-find components to meet their specific needs.

With the principle of “Quality Parts,Customers Priority,Honest Operation,and Considerate Service”,our business mainly focus on the distribution of electronic components. Line cards we deal with include Microchip,ALPS,ROHM,Xilinx,Pulse,ON,Everlight and Freescale. Main products comprise IC,Modules,Potentiometer,IC Socket,Relay,Connector.Our parts cover such applications as commercial,industrial, and automotives areas.

We are looking forward to setting up business relationship with you and hope to provide you with the best service and solution. Let us make a better world for our industry!



Contact us

Tel: +86-755-8981 8866 Fax: +86-755-8427 6832

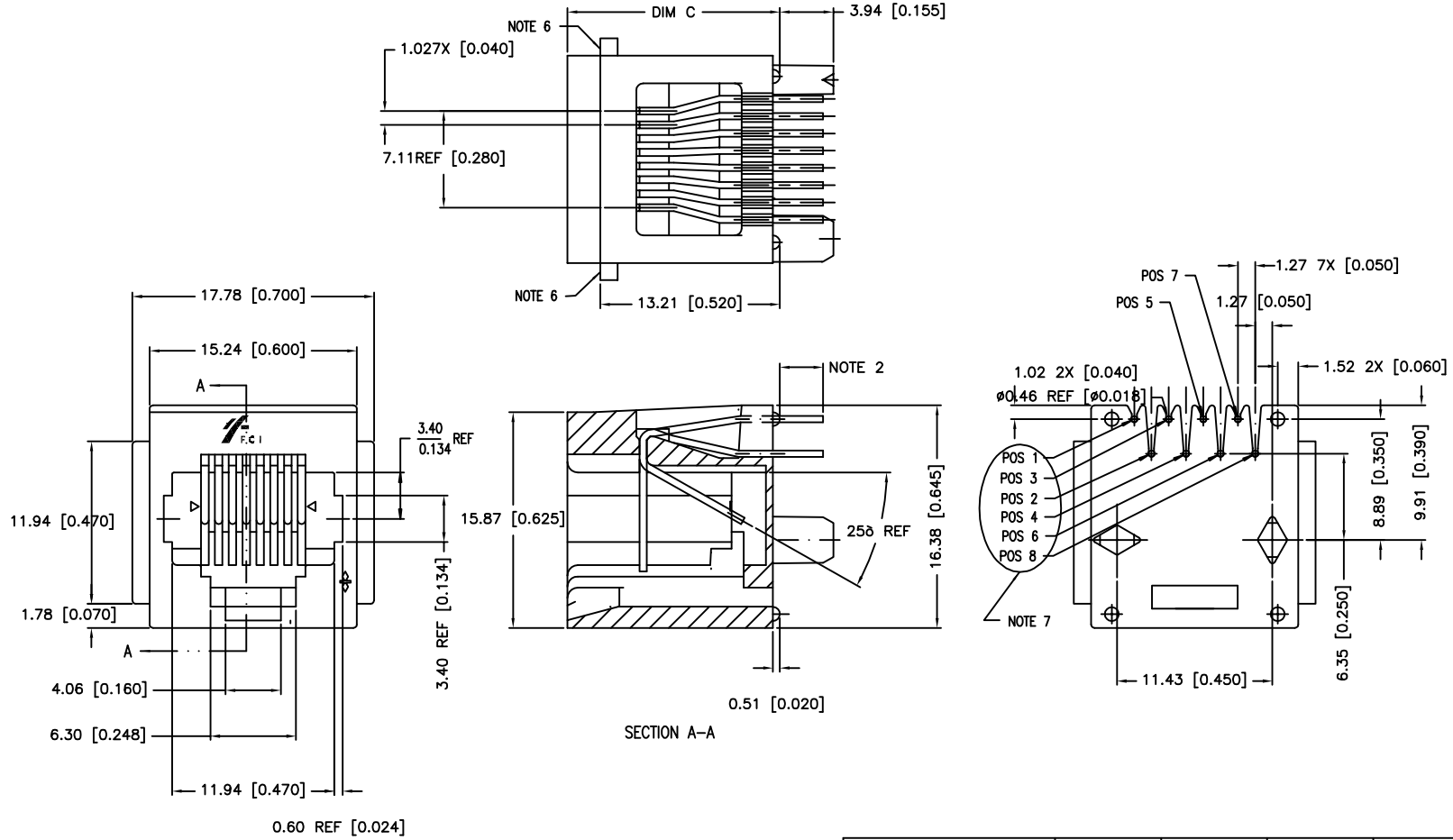
Email & Skype: info@chipsmall.com Web: www.chipsmall.com

Address: A1208, Overseas Decoration Building, #122 Zhenhua RD., Futian, Shenzhen, China





PRODUCT NO.
SEE TABLE



A

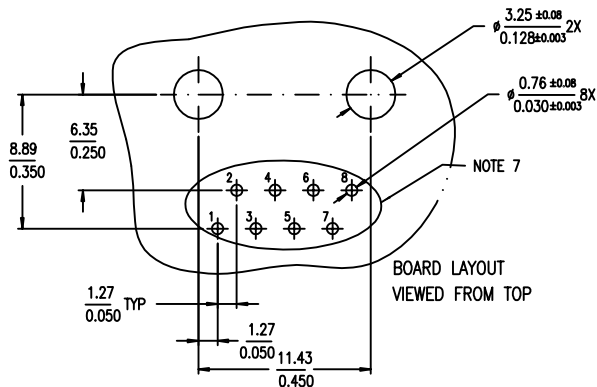
A

B

B

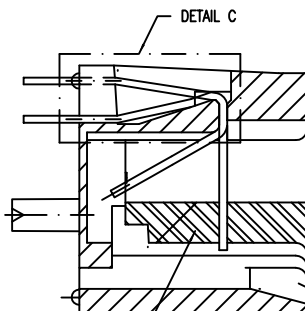
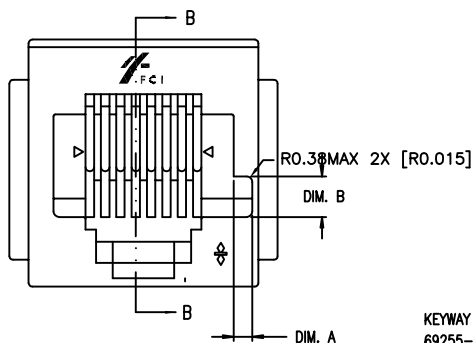
mat'l. code				surface ISO1302 ✓		tolerance ISO1101 ISO406		projection 		product family MOD JACK			
lfr ecn no dr date				tolerances unless otherwise specified				title					
AJ ELX-N-15334 Henry 07/18/13				angles		0.X±0.3		mm		8 POS VERTICAL			
- - - - -				0°±2'		0.XX±0.15		scale 2.0		PC.B. MOD JACK ASSY			
AD N08-0239 MHT 11/10/08				0°±2'		0.XXX±0.05				dwg no sheet, 1 of 3 size			
AE N09-0092 SH MNO 01/13/10				dr		JANET 2/22/00				69255 A4			
AF ELX-N-010675 SH MNO 3/14/12				enfr		M.CHENG 12/19/00				type Product Customer Drawing			
AG ELX-N-13786 Henry 01/02/13				chr		M.CHENG 12/19/00							
AH ELX-N-14061 Henry 02/18/13				appd		M.CHENG 12/19/00							
sheet index		revision sheet		AJ AJ AJ									
		1 2 3											

PRODUCT NO. ④	DIM. A	DIM. B	DIM. C	STYLE	POSITIONS LOADED	CONTACT PLATING ①	NOTES
69255-X01YLF	-	-	15.62/0.615	UNKEYED	ALL	5u" Au + high performance lubricant	-
-X02YLF	1.25 /0.050	2.69 /0.106	15.62/0.615	KEYED	ALL	5u" Au + high performance lubricant	-
-X03YLF	-	-	15.62/0.615	UNKEYED	2,3,4,5,6,7	5u" Au + high performance lubricant	-
-X04YLF	-	-	15.62/0.615	UNKEYED	ALL	5u" Au + high performance lubricant	-
-X05YLF	-	-	15.62/0.615	UNKEYED	ALL	1.27um /50u" GXT	-
-X06YLF	1.25 /0.050	2.69 /0.106	15.62/0.615	KEYED	ALL	1.27um /50u" GXT	-
-X07YLF	-	-	15.62/0.615	UNKEYED	ALL	5u" Au + high performance lubricant	NOTE 5
-X08YLF	-	-	15.62/0.615	UNKEYED	3,4,5,6	5u" Au + high performance lubricant	-
-X09YLF	-	-	15.62/0.615	UNKEYED	ALL	5u" Au + high performance lubricant	NOTE 6
-X10YLF	-	-	13.62/0.536	UNKEYED	ALL	5u" Au + high performance lubricant	NOTE 6



NOTES :

- ① SPECIAL PACKAGING.
- ② SOLDER TAIL LENGTH :
 X = 0 [3.18 ±0.51 /0 .125 ±0.020]
 X = 1 [8.13 ±0.51 /0 .320 ±0.020]
 X = 2 [5.30 ±0.51 /0 .208 ±0.020]
 X = 3 [3.70 ±0.51 /0 .145 ±0.020]
 X = 4 [4.50 ±0.51 /0 .177 ±0.020]
 [FOR X = 1 TO 4 , IF WIRE TRUE POSITION IS NOT APPLICABLE.]
 [PACKAGING SPEC. IS GS-14-428]
- ③ COLOR OF HOUSING :
 Y = NIL (BLACK HOUSING)
 Y = W (WHITE, RAL1013 HOUSING)
 Y = G (GRAY, HOUSING)
- ④ SPECIAL REQUIREMENT :
 SEE DETAIL C FOR P/N 69255-001B FOR FEATURE DETAILS.
- ⑤ NO PANEL STOPS ON -X09Y AND -X10Y.
- ⑥ THIS PIN NUMBERING OPPOSITE TO FCC, PART 68, SUB-PART F REQUIREMENTS
- ⑦ PART NUMBERS WITH LF IN THE END ARE LEAD FREE.
- ⑧ THIS PRODUCT MEETS EUROPEAN UNION DIRECTIVES AN OTHER COUNTRY REGULATION AS DESCRIBED IN GS-22-008.
- ⑨ THE HOUSING TEMPERATURE WITHSTAND EXPOSURE TO 260°C PEAK TEMPERATURE FOR 15 SECONDS IN A WAVE SOLDER APPLICATION WITH A 1.5 MM MINIMUM THICK CIRCUIT BOARD. SEE APPLICATION NOTES/PROCEDURES IF THEY ARE AVAILABLE.
- ⑩ PLATING OPTION:
 MAY BE EITHER GOLD OR GXT PLATED AT MANUFACTURER'S OPTION.

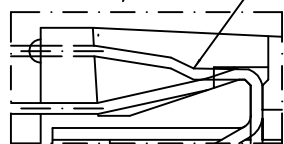


KEYWAY OPTION ON 69255-002LF & -006LF ONLY.

SECTION B-B

KEYED STYLE

SPECIAL BEND REQUIRED BY CUSTOMER FOR P/N 69255-001BLF



DETAIL C (OPTIONAL DESIGN)

mat'l. code				surface		tolerance		projection		product family	
				ISO1302	ISO1101	ISO406			MOD JACK		
lfr	ecn no	dr	date	tolerances unless otherwise specified						title	
AJ	ELX-N-15334	Henry	07/18/13	angles	0.X±0.3		mm		8 POS VERTICAL		
-	-	-	-	radius	0.XX±0.15				PC.B. MOD JACK ASSY		
AD	N08-0239	MHT	11/10/08	0°±2'	0.XXX±0.05		scale 2.0				
AE	N09-0092	SH MNO	01/13/10	dr	JANET	2/22/00			dwg no sheet, 2 of 3 size		
AF	ELX-N-010675	SH MNO	3/14/12	enfr	M.CHENG	12/19/00			69255 A4		
AG	ELX-N-13786	Henry	01/02/13	chr	M.CHENG	12/19/00			type Product Customer Drawing		
AH	ELX-N-14061	Henry	02/18/13	appd	M.CHENG	12/19/00					
sheet	revision										
index	sheet										

PRODUCT NO. ④	DIM. A	DIM. B	DIM. C	STYLE	POSITIONS LOADED	CONTACT PLATING ①	NOTES
69255-X01YHLF	-	-	15.62/0.615	UNKEYED	ALL	5u" Au + high performance lubricant	-
-X02YHLF	1.25 /0.050	2.69 /0.106	15.62/0.615	KEYED	ALL	5u" Au + high performance lubricant	-
-X03YHLF	-	-	15.62/0.615	UNKEYED	2,3,4,5,6,7	5u" Au + high performance lubricant	-
-X04YHLF	-	-	15.62/0.615	UNKEYED	ALL	5u" Au + high performance lubricant	-
-X05YHLF	-	-	15.62/0.615	UNKEYED	ALL	1.27um /50u" GXT	-
-X06YHLF	1.25 /0.050	2.69 /0.106	15.62/0.615	KEYED	ALL	1.27um /50u" GXT	-
-X07YHLF	-	-	15.62/0.615	UNKEYED	ALL	5u" Au + high performance lubricant	NOTE 1
-X08YHLF	-	-	15.62/0.615	UNKEYED	3,4,5,6	5u" Au + high performance lubricant	-
-X09YHLF	-	-	15.62/0.615	UNKEYED	ALL	5u" Au + high performance lubricant	NOTE 6
-X10YHLF	-	-	13.62/0.536	UNKEYED	ALL	5u" Au + high performance lubricant	NOTE 6

MEETS PIP PROCESS PRODUCT NO.

mat'l. code				surface ISO1302 <input checked="" type="checkbox"/>		tolerance ISO1101 ISO406		projection 		product family MOD JACK			
lfr	ecn no	dr	date	tolerances unless otherwise specified						title			
AJ	ELX-N-15334	Henry	7/18/13	angles	0.X±0.3	mm		8 POS VERTICAL					
-	-	-	-	0°±2'	0.XX±0.15	mm		PC.B. MOD JACK ASSY					
AD	N08-0239	MHT	11/10/08	0°±2'	0.XXX±0.05	scale 2.0		dwg no sheet, 3 of 3 size					
AE	N09-0092	SH MM0	01/13/10	dr	JANET	2/22/00			69255 A4				
AF	ELX-N-010675	SH MM0	3/14/12	enfr	M.CHENG	12/19/00			type Product Customer Drawing				
AG	ELX-N-13786	Henry	01/02/13	chr	M.CHENG	12/19/00							
AH	ELX-N-14061	Henry	02/18/13	appd	M.CHENG	12/19/00							
sheet index	revision sheet												