



Chipsmall Limited consists of a professional team with an average of over 10 year of expertise in the distribution of electronic components. Based in Hongkong, we have already established firm and mutual-benefit business relationships with customers from,Europe,America and south Asia,supplying obsolete and hard-to-find components to meet their specific needs.

With the principle of "Quality Parts,Customers Priority,Honest Operation,and Considerate Service",our business mainly focus on the distribution of electronic components. Line cards we deal with include Microchip,ALPS,ROHM,Xilinx,Pulse,ON,Everlight and Freescale. Main products comprise IC,Modules,Potentiometer,IC Socket,Relay,Connector.Our parts cover such applications as commercial,industrial, and automotives areas.

We are looking forward to setting up business relationship with you and hope to provide you with the best service and solution. Let us make a better world for our industry!



Contact us

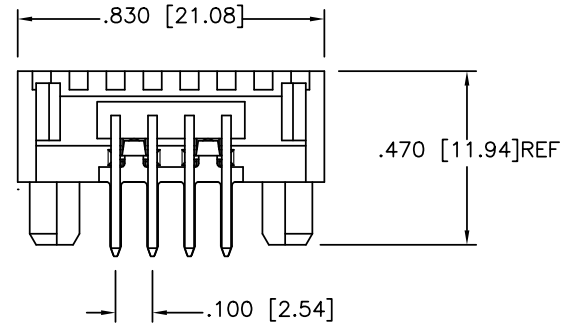
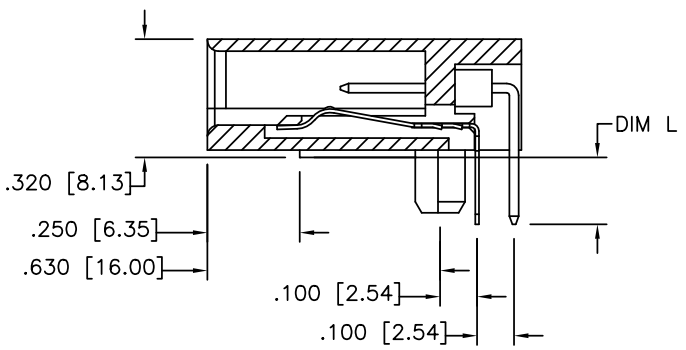
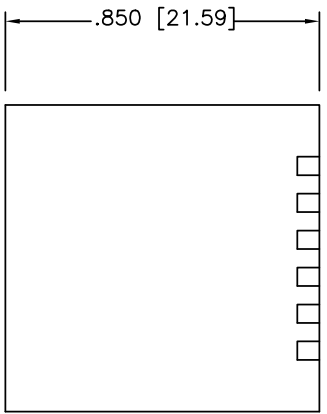
Tel: +86-755-8981 8866 Fax: +86-755-8427 6832

Email & Skype: info@chipsmall.com Web: www.chipsmall.com

Address: A1208, Overseas Decoration Building, #122 Zhenhua RD., Futian, Shenzhen, China



PRODUCT NUMBER
SEE TABLE



mat'l. code		surface ISO 1302 ✓		tolerance ISO 406 ISO 1101		projection ASME Y14.5		product family LATCH-N-LOK	
ltr ecn no dr date		tolerances unless otherwise specified		title		INCH/MM		1X4 LNL RT ANGLE HEADER ASSEMBLY	
K	ELX-N-008442	ZK	11/29/11	angles	line	scale 2:1		dwg no 69273	
E	M05-0033	ERE	2/25/05	0°±2'				sheet 1 of 2 size A3	
F	M05-0052	MHT	3/16/05	chr	J. LINN	7/17/90		type Product Customer Drawing	
G	M06-0285	AGS	7/28/06	engr	D. HORCHLER	7/17/90			
H	M06-0365	AGS	9/20/06	chr	D. HORCHLER	7/17/90			
J	M09-0048	MHT	3/12/09	app	D. HORCHLER	7/17/90			
sheet	revision	K	K						
index	sheet	1	2						



FCIconnect.com

Copyright FCI

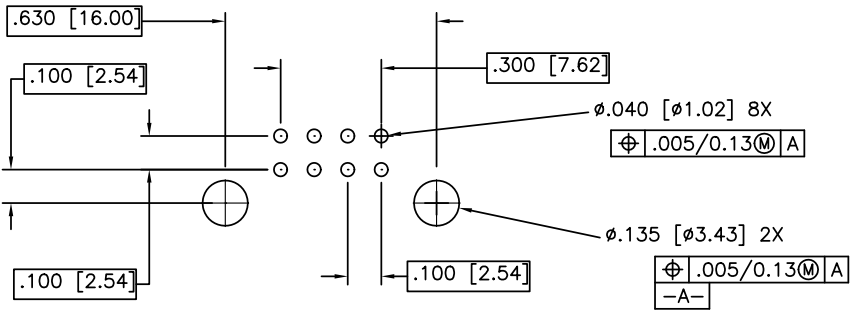
69273-XXXXLF

LEAD FREE OPTION (6) (7)

COLOR (4)		
1	70343 LT GRAY	OBS
2	80166 OFF WHITE	
3	70634 DK GRAY	OBS
4	701 BLACK	
5	70541 SLATE GRAY	OBS
7	70455 SILVER GRAY	
8	80189 PEARL WHITE	OBS
9	70419 PEBBLE GRAY	

PLATING (3)	
0	30u" MIN OVER 50u"MIN Ni
3	30u" MIN OVER 50u"MIN Ni
5	50u" MIN OVER 50u"MIN Ni

PIN LENGTH	
	DIM L
0	.150/3.81
1	.110/2.79



RECOMMENDED PCB LAYOUT

- NOTES:
- HEADER SHROUD
MAT'L: HIGH TEMPERATURE THERMOPLASTIC.
UL-94V-0 RATED.
 - GROUND CONTACT
MAT'L: COPPER ALLOY
PLATING: 100-150u"/2.54-4.06u TIN.
 - SIGNAL CONTACT
MAT'L: COPPER ALLOY
PLATING: PERFORMANCE PLATING WILL BE EITHER GOLD OR GXT ON CONTACT AREA OR TAIL, OPTIONALLY (78-295u") TIN ON TAIL.
 - NUMBERS SHOWN ARE FOR G.E. LEXAN AND ARE FOR REFERENCE ONLY.
 - THIS ASSEMBLY U.L. APPROVED PER FILE E66906 VOL. 1, SEC 84 AND CSA APPROVED PER MASTER FILE LR 46923
 - (6) ADD LF SUFFIX AT THE END OF PART NUMBER FOR LEAD FREE OPTION.
 - THE HOUSING WILL WITHSTAND EXPOSURE TO 260°C PEAK TEMPERATURE FOR 15 SECONDS IN A WAVE SOLDER APPLICATION WITH A 1.5mm MINIMUM THICK CIRCUIT BOARD. SEE APPLICATION NOTES/PROCEDURES IF THEY ARE AVAILABLE.
 - (8) THIS PRODUCT MEETS EUROPEAN UNION DIRECTIVES AND OTHER COUNTRY REGULATION AS DESCRIBED IN GS-22-008.
 - PRODUCT SPEC: GS-12-003

mat'l. code		surface / tolerance ISO 1302 / ISO 406 / ISO 1101		projection	product family LATCH-N-LOK	
l/tecn nqdr		date		title		
K				1X4 LNL RT ANGLE HEADER ASSEMBLY		
dr		J. LINN 7/17/90		dwg no		sheet 2 of 2
enfr		D. HORCHLER 7/17/90		69273		A3
chr		D. HORCHLER 7/17/90		type		Product Customer Drawing
app		D. HORCHLER 7/17/90				
sheet index	revision sheet					