



Chipsmall Limited consists of a professional team with an average of over 10 year of expertise in the distribution of electronic components. Based in Hongkong, we have already established firm and mutual-benefit business relationships with customers from,Europe,America and south Asia,supplying obsolete and hard-to-find components to meet their specific needs.

With the principle of “Quality Parts,Customers Priority,Honest Operation,and Considerate Service”,our business mainly focus on the distribution of electronic components. Line cards we deal with include Microchip,ALPS,ROHM,Xilinx,Pulse,ON,Everlight and Freescale. Main products comprise IC,Modules,Potentiometer,IC Socket,Relay,Connector.Our parts cover such applications as commercial,industrial, and automotives areas.

We are looking forward to setting up business relationship with you and hope to provide you with the best service and solution. Let us make a better world for our industry!



## Contact us

Tel: +86-755-8981 8866 Fax: +86-755-8427 6832

Email & Skype: info@chipsmall.com Web: www.chipsmall.com

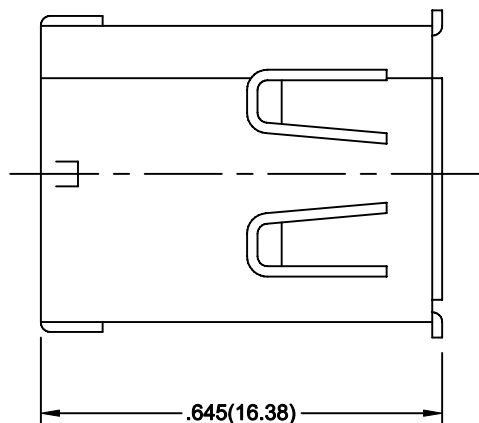
Address: A1208, Overseas Decoration Building, #122 Zhenhua RD., Futian, Shenzhen, China



ISSUE NUMBER

ORIGINAL

1

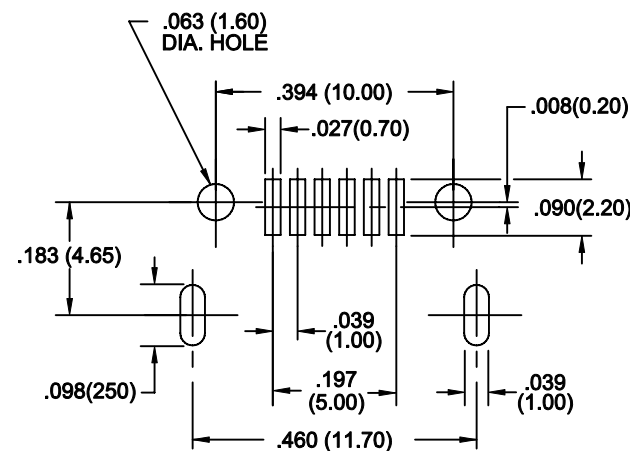
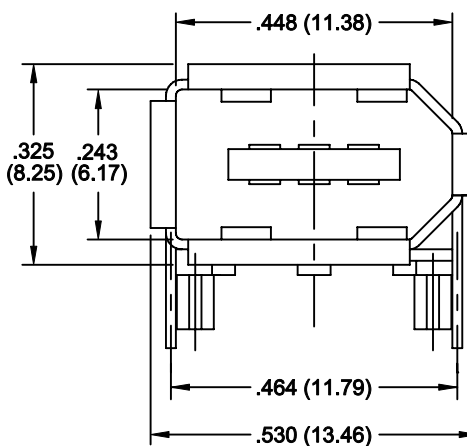
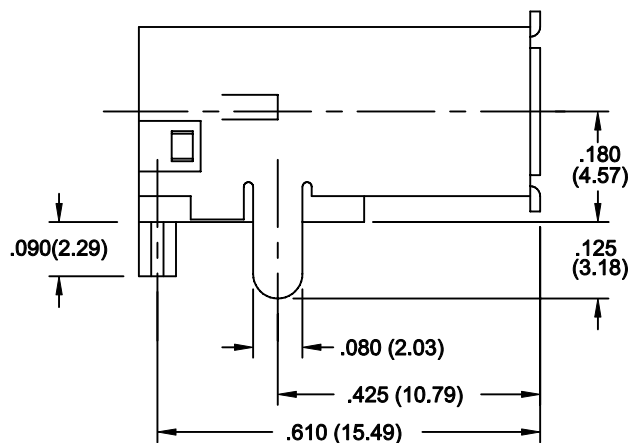


**MATERIALS AND FINISH:**

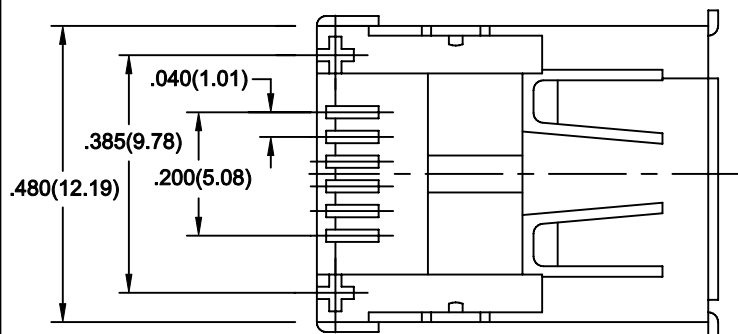
HOUSING: HIGH TEMPERATURE THERMO-PLASTIC, UL94-0, BLACK.

SHELL: COPPER ALLOY OR STEEL, NICKEL PLATED.

CONTACTS: COPPER ALLOY, 30 MICRINCHES OF GOLD PLATED ON MATING AREA  
TIN ON SOLDER TAILS OVER NICKEL.



PC BOARD MOUNTING DIMENSIONS



THIS SERIES FULLY CONFORMS TO THE EUROPEAN UNION DIRECTIVES 2002/95/EC AND 2002/96/EC FOR RoHS COMPLIANCY.

**IEEE 1394 CONNECTOR  
SURFACE MOUNT**

ACAD REF. 693-006-699-003

DRAWN. F.BRIONES

DATE. NOV. 04/03

PART NUMBER.

693-006-699-003

DRAWING NUMBER.

693-006-699-003

ISSUE

2



EDAC INC.  
TORONTO, ONTARIO  
CANADA

YOUR CONNECTION TO QUALITY & SERVICE

THESE DRAWINGS AND SPECIFICATIONS ARE THE PROPERTY OF EDAC INC. AND SHALL NOT BE REPRODUCED OR COPIED OR USED AS THE BASIS FOR THE MANUFACTURE OR SALE OF APPARATUS WITHOUT WRITTEN PERMISSION.