



Chipsmall Limited consists of a professional team with an average of over 10 year of expertise in the distribution of electronic components. Based in Hongkong, we have already established firm and mutual-benefit business relationships with customers from,Europe,America and south Asia,supplying obsolete and hard-to-find components to meet their specific needs.

With the principle of “Quality Parts,Customers Priority,Honest Operation,and Considerate Service”,our business mainly focus on the distribution of electronic components. Line cards we deal with include Microchip,ALPS,ROHM,Xilinx,Pulse,ON,Everlight and Freescale. Main products comprise IC,Modules,Potentiometer,IC Socket,Relay,Connector.Our parts cover such applications as commercial,industrial, and automotives areas.

We are looking forward to setting up business relationship with you and hope to provide you with the best service and solution. Let us make a better world for our industry!



Contact us

Tel: +86-755-8981 8866 Fax: +86-755-8427 6832

Email & Skype: info@chipsmall.com Web: www.chipsmall.com

Address: A1208, Overseas Decoration Building, #122 Zhenhua RD., Futian, Shenzhen, China



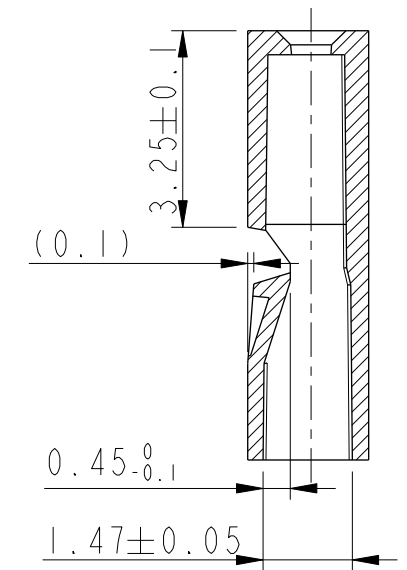
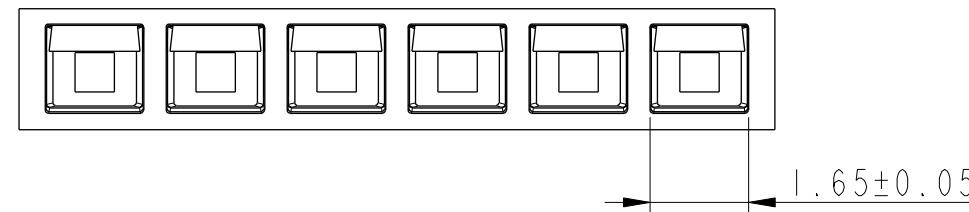
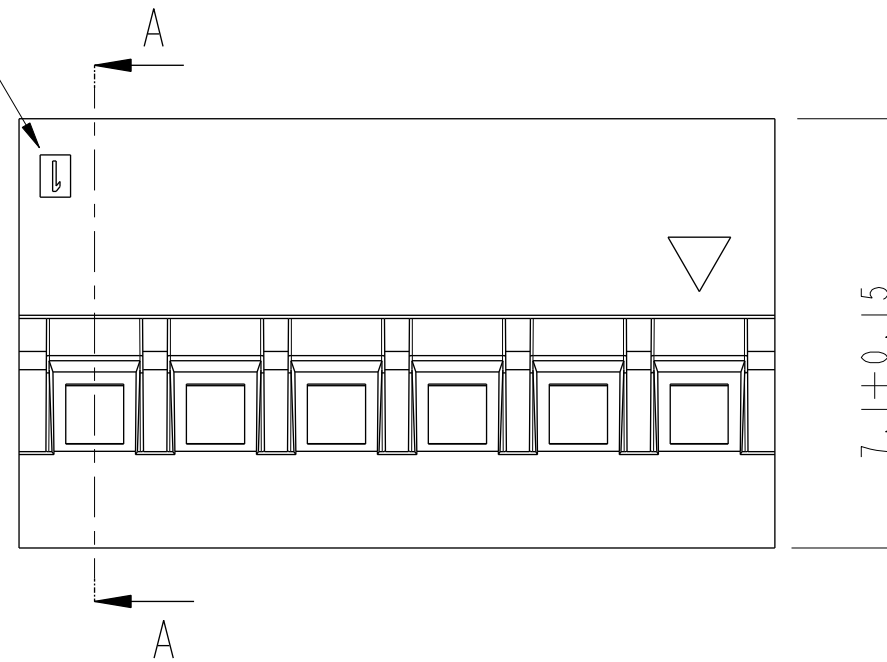
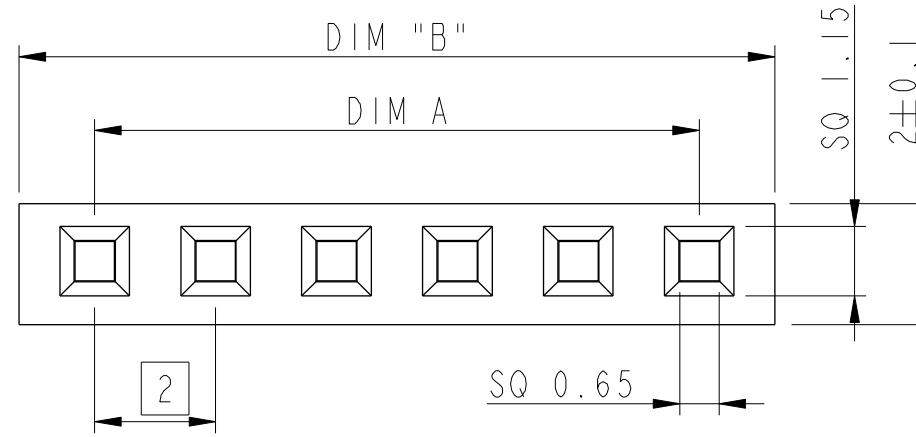
PRODUCT NUMBER	SIZE	DIM A	DIM B
69305-003LF	1x3	4.0	6.4
69305-004LF	1x4	6.0	8.4
69305-005LF	1x5	8.0	10.4
69305-006LF	1x6	10.0	12.4
69305-007LF	1x7	12.0	14.4
69305-008LF	1x8	14.0	16.4
69305-009LF	1x9	16.0	18.4
69305-010LF	1x10	18.0	20.4
69305-011LF	1x11	20.0	22.4
69305-012LF	1x12	22.0	24.4
69305-013LF	1x13	24.0	26.4
69305-014LF	1x14	26.0	28.4
69305-015LF	1x15	28.0	30.4
69305-016LF	1x16	30.0	32.4
69305-017LF	1x17	32.0	34.4

PRODUCT NUMBER

69305-0XXLF

TOTAL NUMBER OF POS 03 UP TO 17

NOTE 5



SECTION A-A

NOTES:

- MATERIAL : PA66 25% GLASSFILLED, UL94V-0 COLOR BLACK.
- PRODUCT MEETS EUROPEAN UNION DIRECTIVES AND OTHERS REGULATIONS AS DESCRIBED IN GS-47-004.
- THIS PRODUCT IS NOT INTENDED TO BE EXPOSED TO MANUFACTURING SOLDER PROCESSES.
- INDICATES POS 1, WHEN MATED WITH 95000 SERIE.
- FOR USE WITH MINITEK CRIMP TO WIRE CONTACT 77138 (26-30AWG) OR 10044403 (22-24AWG).
- PRODUCT SPECIFICATION AS PER 110-036, CRIMP RECOMMENDATIONS AS PER GS-20-058

TOLERANCES UNLESS OTHERWISE SPECIFIED

	0.X	±0.3	-	-	-	-
LINEAR	0.XX	±0.13	-	-	-	-
	0.XXX	±0.050	-	-	-	-
	ANGULAR	0°	±2°	-	-	-

Material		NOTE 1		Spec ref	
Mat code		N/A		✓	tolerance
Heattreat		N/A			
Plating/Finish		N/A			
Dr	E.KROPIEWN	1999-11-08	Product family		MINITEK
Eng	L. GREEN	1999-11-08	Model Name		69305
Chr	J.COMPAGNON	2012-08-30	Model Revision		
Appr	JCO	2012-08-30	REL Level		proi_release
FCI		MINITEK CTW HOUSING		dwg no	
		SINGLE ROW		69305	
Pro/E file		catalog no		CUSTOMER	
				sheet 1 of 1	