



Chipsmall Limited consists of a professional team with an average of over 10 year of expertise in the distribution of electronic components. Based in Hongkong, we have already established firm and mutual-benefit business relationships with customers from,Europe,America and south Asia,supplying obsolete and hard-to-find components to meet their specific needs.

With the principle of “Quality Parts,Customers Priority,Honest Operation,and Considerate Service”,our business mainly focus on the distribution of electronic components. Line cards we deal with include Microchip,ALPS,ROHM,Xilinx,Pulse,ON,Everlight and Freescale. Main products comprise IC,Modules,Potentiometer,IC Socket,Relay,Connector.Our parts cover such applications as commercial,industrial, and automotives areas.

We are looking forward to setting up business relationship with you and hope to provide you with the best service and solution. Let us make a better world for our industry!



Contact us

Tel: +86-755-8981 8866 Fax: +86-755-8427 6832

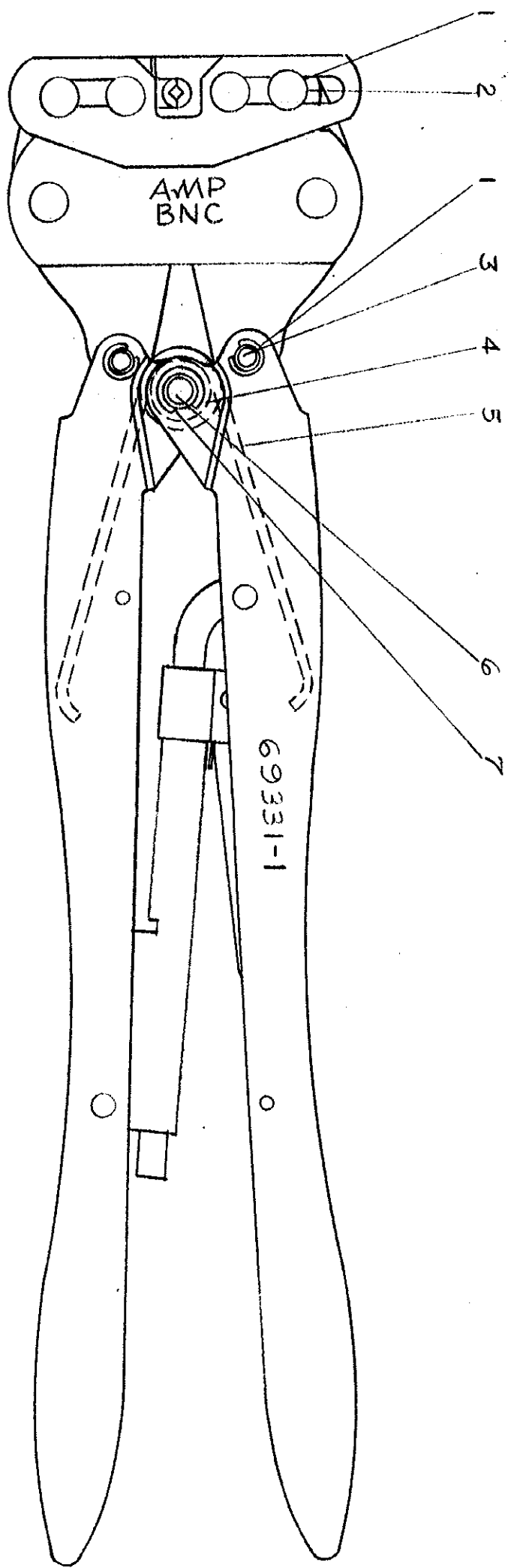
Email & Skype: info@chipsmall.com Web: www.chipsmall.com

Address: A1208, Overseas Decoration Building, #122 Zhenhua RD., Futian, Shenzhen, China

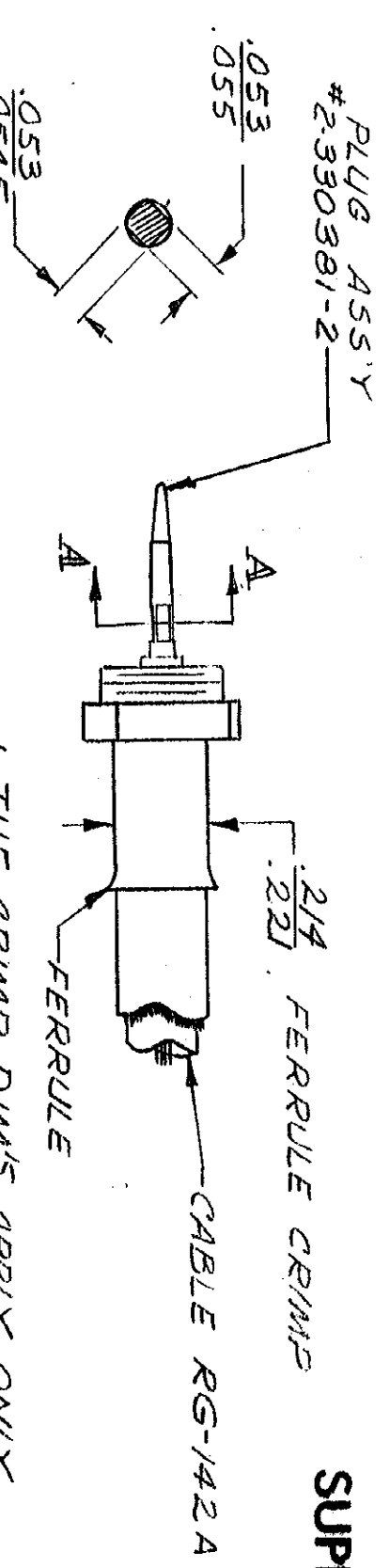


PRINTED TO SCALE

DIMENSIONS IN INCHES. DO NOT SCALE PRINT



SUPERSEDED BY IS 2340



PLUG ASSY #2330381-2
 .053
 .053
 .0545
 SECTION A-A
 CENTER CONTACT CRIMP
 METHOD OF GAGING CRIMP DIMENSIONS

1. THE CRIMP DIMS APPLY ONLY TO THE ABOVE COMBINATIONS

For replacement of parts other than listed, Tool should be returned to our Factory to insure proper Certifying adjustment.

ITEM NO	NUMBER	NAME	REMARKS
2	21045-6	RING-RETAINING	
1	300449	PIN-RETAINING	
1	39364	SPRING	
1	39366	COLLAR	
2	38783	PIN-RETAINING	
2	1-304197-0	PIN-RETAINING	
6	21045-3	RING-RETAINING	

LTR	REVISION RECORD	DR	CHK	DATE
A	REVISED	BKS		1/16/63
B	REVISED	CM		1/30/63
C	REVISED	LD		4/24
D	REVISED	B.S.		8-3
E	REVISED	PL BIF		11/25/63
F1	SUPD BY IS-2340	B.S.		7/28

DESCRIPTION	REQUIRED PER ASSEMBLY
69331-1	1

DR 2-27-63
 DR J. O'Connell
 CHK J. O'Connell 3-29-63
 DE
 APP E. J. Tolson 5-13-63

MATERIAL AND FINISH
 WIRE - RANGE - INSULATION
 RG-142A
 TOLERANCE EXCEPT AS NOTED = 1°
 SCALE 1-1
 LOC M
 NO B
 REV E1
 NAME HAND TOOL ASSEMBLY
 CLASS BNC COAXIAL
 AMP INCORPORATED HARRISBURG, PENNA.

7 6 5 4 3 2 1