



Chipsmall Limited consists of a professional team with an average of over 10 year of expertise in the distribution of electronic components. Based in Hongkong, we have already established firm and mutual-benefit business relationships with customers from,Europe,America and south Asia,supplying obsolete and hard-to-find components to meet their specific needs.

With the principle of “Quality Parts,Customers Priority,Honest Operation,and Considerate Service”,our business mainly focus on the distribution of electronic components. Line cards we deal with include Microchip,ALPS,ROHM,Xilinx,Pulse,ON,Everlight and Freescale. Main products comprise IC,Modules,Potentiometer,IC Socket,Relay,Connector.Our parts cover such applications as commercial,industrial, and automotives areas.

We are looking forward to setting up business relationship with you and hope to provide you with the best service and solution. Let us make a better world for our industry!



Contact us

Tel: +86-755-8981 8866 Fax: +86-755-8427 6832

Email & Skype: info@chipsmall.com Web: www.chipsmall.com

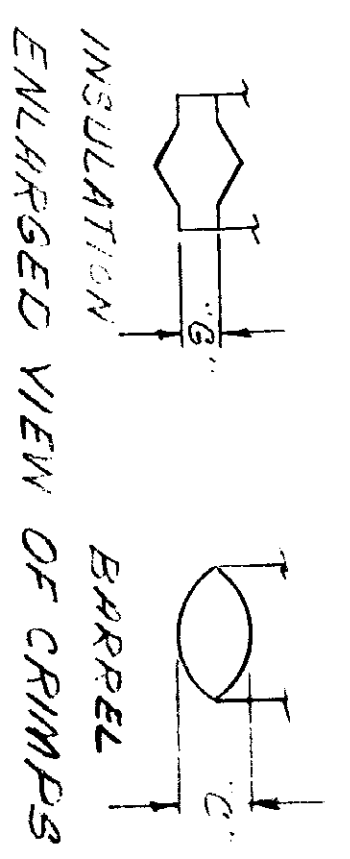
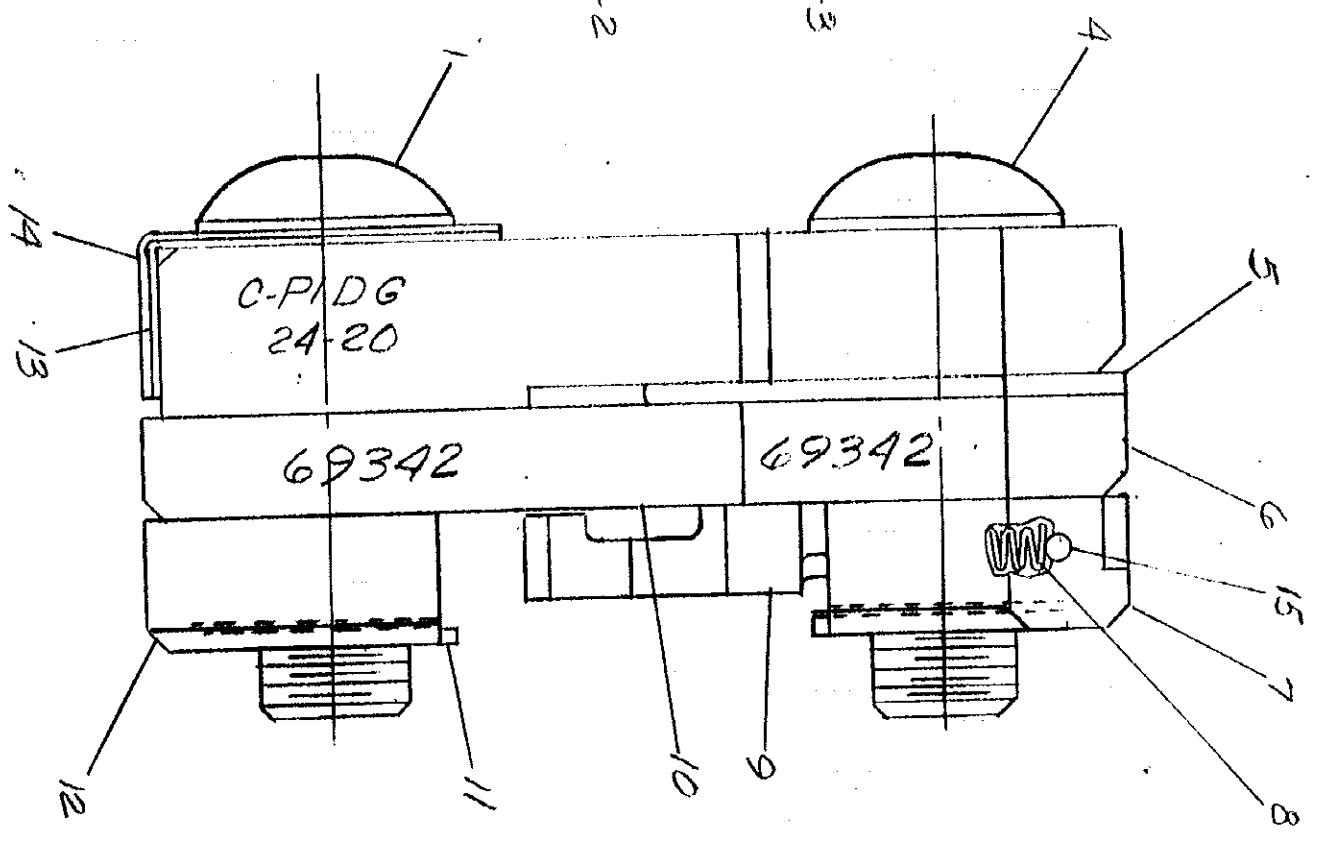
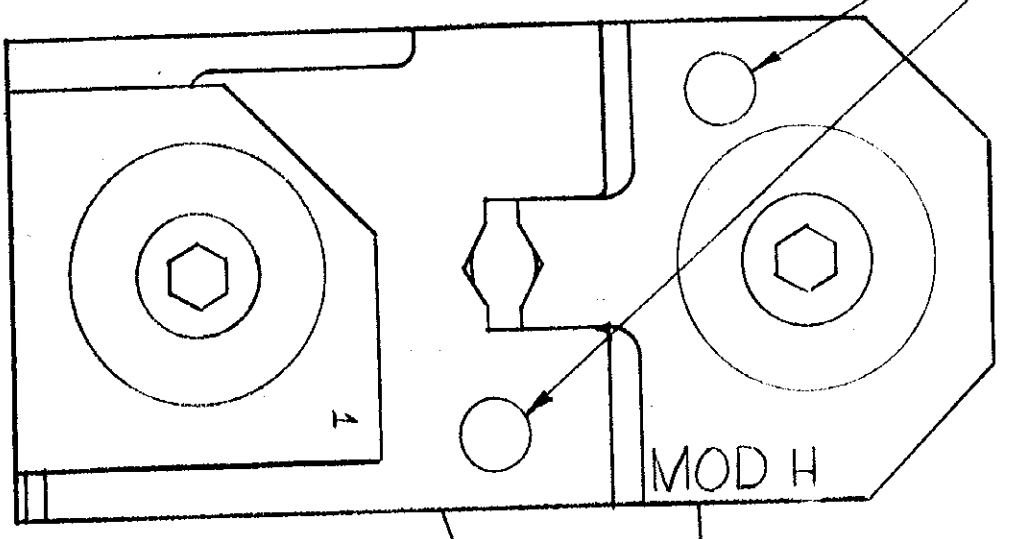
Address: A1208, Overseas Decoration Building, #122 Zhenhua RD., Futian, Shenzhen, China



PRINT DIST
H-1
5

DIMENSIONS IN INCHES. DO NOT SCALE PRINT

COLOR CODED - WHITE



".6" AT PCS.	
1	1
60	NC 60
.030	.050

".6" DIM.	
60	NC 60
.089	.095

PIN GAGE DIMENSIONS APPLY WHEN TOOL IS
BOTTOMED BUT NOT UNDER PRESSURE.

ITEM NO	NUMBER	NAME	REMARKS
15	21949-1	PIN - SPIROL	
14	306027-2	SPACER INSULATION ADJ.	
13	306027-1	SPACER INSULATION ADJ.	
12	2-305832-8	SPACER	
11	1-21046-3	RING RETAINING	
10	1-45907-6	INDENTER BARREL	
9	3-304052-1	LOCATOR	
8	7-59683-4	SPRING	
7	2-305832-9	HOUSING LOCATOR	
6	3-45904-3	ANVIL BARREL	
5	125152-3	PLATE ALIGNMENT	
4	306105-9	SCREW SPECIAL	
3	2-45932-0	ANVIL INSULATION	
2	306030-1	INDENTER INSULATION	
1	2-306131-1	SCREW SPECIAL	

SUPERSEDED BY 1.S. 1632

LTR	REVISION RECORD	DR	CHK	DATE
H1	SUP BY 1.S. 1632	ELP	ELP	6/17-78
H	REVISED	RS	ELP	7-1-78
G	REVISED	PL	ELP	10-2-78

NUMBER	DESCRIPTION	REQUIRED PER ASSEMBLY
69342		

©1969 BY AMP INCORPORATED. ALL RIGHTS RESERVED.
AMP PRODUCTS COVERED BY PATENTS AND/OR PATENTS PENDING.

CUSTOMER COPY REFERENCE ONLY

AMP INCORPORATED
HARRISBURG, PENNA.

WIRE - RANGE - INSULATION
24-20

SCALE
4-1

LOC
M

NO
69342

REV
H1

NAME
DIE ASSEMBLY MOD H

CLASS
1

TYPE
2" PIDG

DR
10-30-69

CHK
12-3-69

REL
12-3-69