



Chipsmall Limited consists of a professional team with an average of over 10 year of expertise in the distribution of electronic components. Based in Hongkong, we have already established firm and mutual-benefit business relationships with customers from,Europe,America and south Asia,supplying obsolete and hard-to-find components to meet their specific needs.

With the principle of “Quality Parts,Customers Priority,Honest Operation,and Considerate Service”,our business mainly focus on the distribution of electronic components. Line cards we deal with include Microchip,ALPS,ROHM,Xilinx,Pulse,ON,Everlight and Freescale. Main products comprise IC,Modules,Potentiometer,IC Socket,Relay,Connector.Our parts cover such applications as commercial,industrial, and automotives areas.

We are looking forward to setting up business relationship with you and hope to provide you with the best service and solution. Let us make a better world for our industry!



Contact us

Tel: +86-755-8981 8866 Fax: +86-755-8427 6832

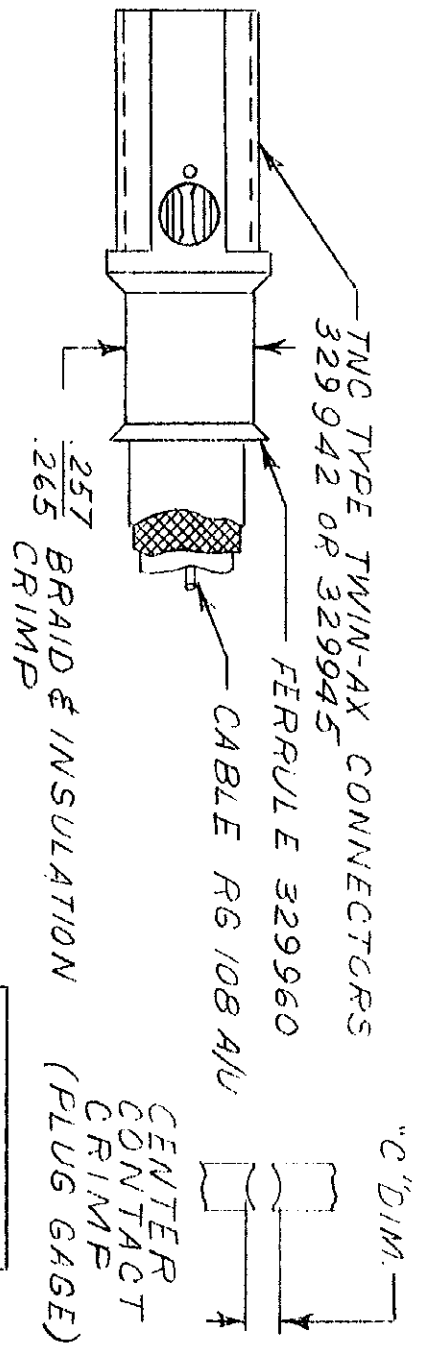
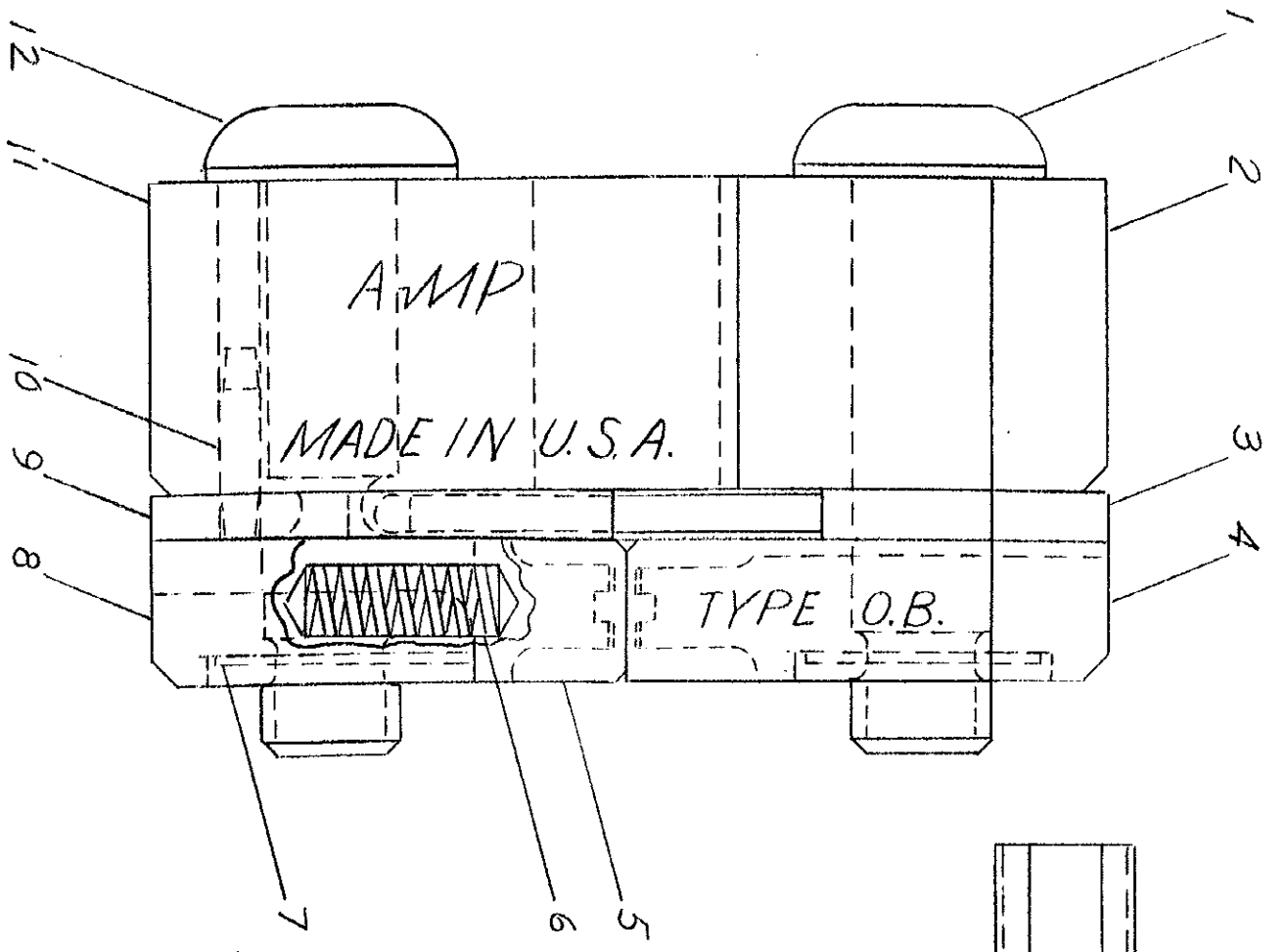
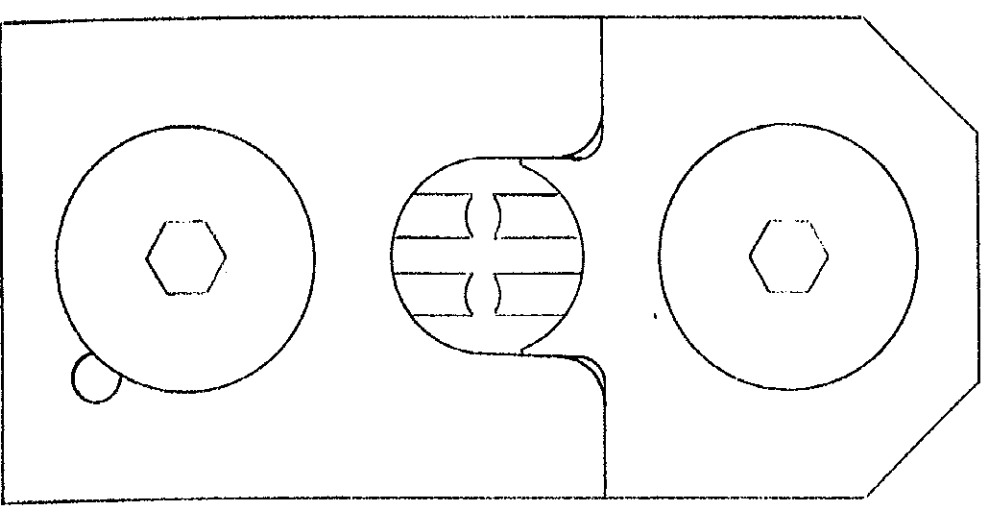
Email & Skype: info@chipsmall.com Web: www.chipsmall.com

Address: A1208, Overseas Decoration Building, #122 Zhenhua RD., Futian, Shenzhen, China



PRINT DIST

DIMENSIONS IN INCHES. DO NOT SCALE PRINT



METHOD OF GAGING CRIMP DIMENSIONS

THE CRIMP DIMENSIONS APPLY ONLY TO THE ABOVE COMBINATIONS ON A CRIMPED PRODUCT

"C" DIM.	
GO	NO GO
.040	.044

SUPERSEDED BY U.S. 1933-3

1	4-306131-4	SCREW-SPECIAL	12
1	1-306540-8	INDENTER-INSULATION	11
1	21028-2	PIN-SLOTTED	10
1	9-305832-8	SPACER-SPECIAL	9
1	306543-3	BARREL-BLOCK	8
2	1-21046-3	RING-RETAINING	7
2	305182	SPRING	6
1	306545	INSERT-BARREL-LOWER	5
1	306201	INSERT-BARREL-UPPER	4
1	2-306113-3	EJECTOR	3
1	1-306539-8	ANVIL-INSULATION	2
1	4-306131-3	SCREW-SPECIAL	1

REVISION RECORD		DR		CHK		DATE	
LTR	NO	BY	DATE	BY	DATE	BY	DATE
A	5	SRP	8/15/60	SRP	8/15/60	SRP	8/15/60
NUMBER 69410-1 DESCRIPTION 69410-1 DR G. J. Ziegler 11-10-65 CHK G. J. Ziegler 11-10-65 DE G. J. Ziegler 11-10-65 NAME G. J. Ziegler MATERIAL AND FINISH WIRE RANGE - INSULATION RS-108 A/U TOLERANCE EXCEPT AS NOTED ± .015 SCALE 4-1 LOC M NO B REV A TYPE O.B. TWIN COAX CLASS AMP INCORPORATED HARRISBURG, PENNA. CUSTOMER COPY REFERENCE ONLY DIE ASSEMBLY							