



Chipsmall Limited consists of a professional team with an average of over 10 year of expertise in the distribution of electronic components. Based in Hongkong, we have already established firm and mutual-benefit business relationships with customers from,Europe,America and south Asia,supplying obsolete and hard-to-find components to meet their specific needs.

With the principle of "Quality Parts,Customers Priority,Honest Operation,and Considerate Service",our business mainly focus on the distribution of electronic components. Line cards we deal with include Microchip,ALPS,ROHM,Xilinx,Pulse,ON,Everlight and Freescale. Main products comprise IC,Modules,Potentiometer,IC Socket,Relay,Connector.Our parts cover such applications as commercial,industrial, and automotives areas.

We are looking forward to setting up business relationship with you and hope to provide you with the best service and solution. Let us make a better world for our industry!



## Contact us

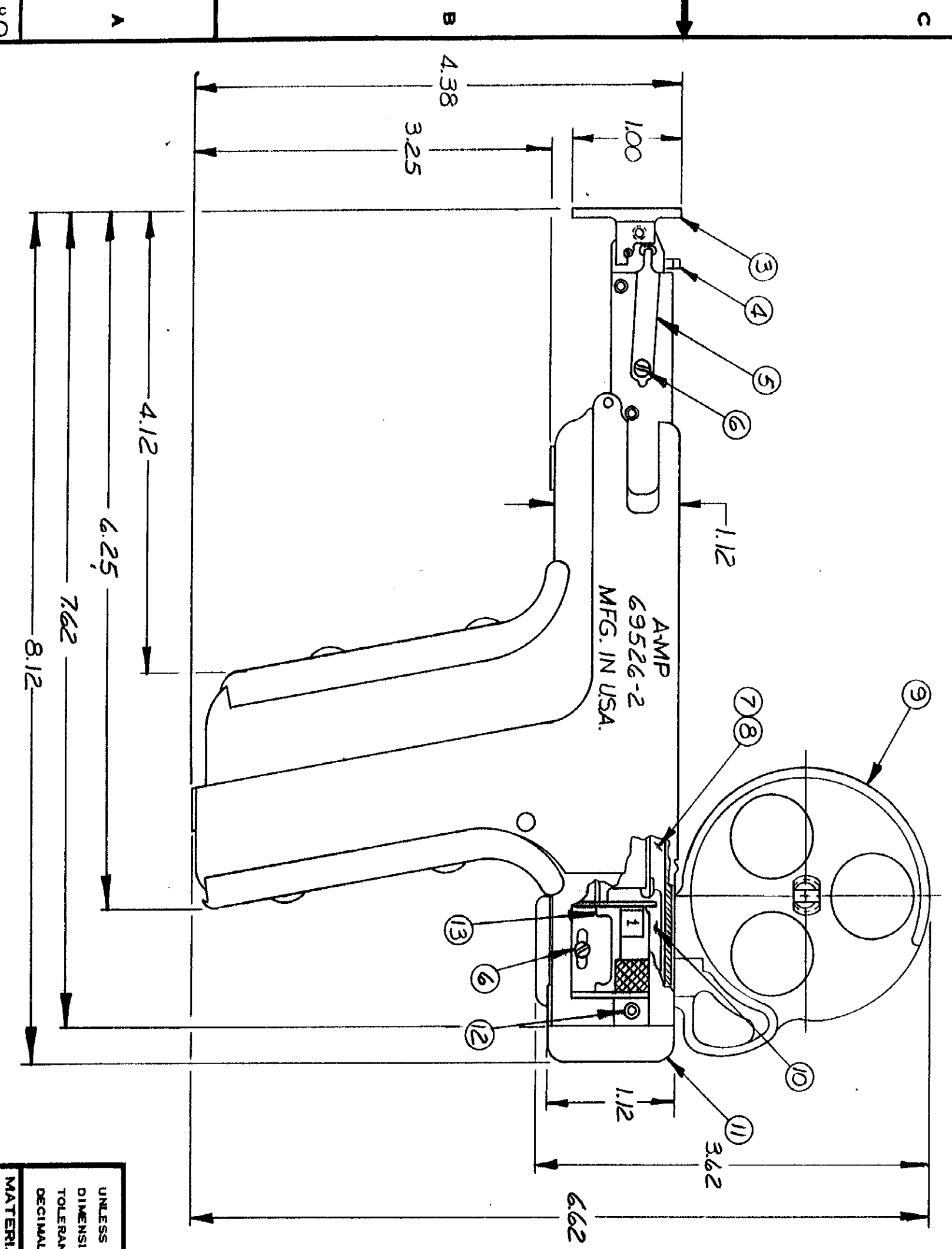
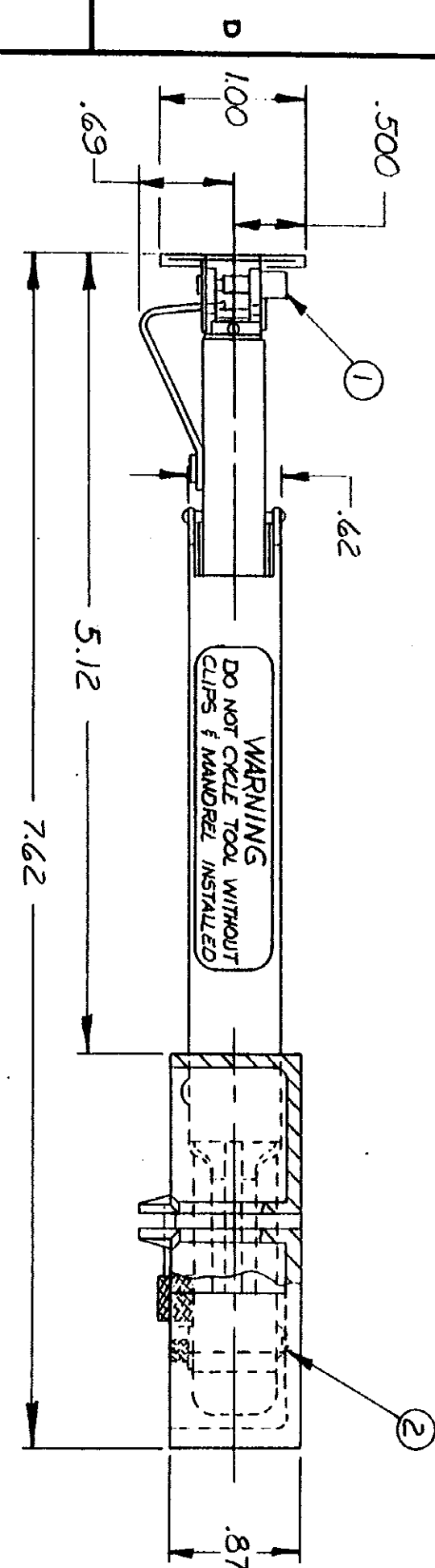
Tel: +86-755-8981 8866 Fax: +86-755-8427 6832

Email & Skype: info@chipsmall.com Web: www.chipsmall.com

Address: A1208, Overseas Decoration Building, #122 Zhenhua RD., Futian, Shenzhen, China



DRAWING MADE IN AMERICAN PROJECTION  
 © 1972 BY AMP INCORPORATED. ALL RIGHTS RESERVED. AMP PRODUCTS COVERED BY PATENTS AND/OR PATENTS PENDING.



NOTE:  
 1. FOR REPLACEMENT OF PARTS OTHER THAN LISTED, TOOL SHOULD BE RETURNED TO OUR FACTORY OR CONTACT FIELD ENGINEERING  
 2. \* PLATE ASSEMBLY SHOULD BE REPLACED WITH SAME DASH NUMBER TO INSURE PROPER FUNCTIONING OF TOOL.  
 3. ALL DIMENSIONS ARE APPROXIMATE.

REVISIONS			
ZONE	LTR	DESCRIPTION	DATE
0		Released on FCN TP 22 57	8-1-72

QTY	PART NO.	DESCRIPTION	UNIT
1	246555-2	DRUM STACKER ASSEMBLY	13
1	240447-1	SCREW, CAP 4-40 X .218 LONG	12
1	241477-2	RAM ROD ASSEMBLY	11
1	241396-3	PLATE ASSEMBLY	10
1	245336-1	REEL HOLDER	9
1	241389	PLATE, PUSH ROD	8
1	241395-2	PUSH ROD ASSEMBLY	7
2	21060-1	SCREW, SELF TAPPING #2 X .12 LONG	6
1	241469	SPRING, INSULATION REMOVING	5
1	8-22140-6	SCREW, SOCKET HEAD CAP	4
1	306535	FOOT, ALIGNMENT	3
1	240419-3	SCREW, 4-40 X .218 LONG	2
1	241135	SCREW, MANDREL MOUNTING	1

UNLESS OTHERWISE SPECIFIED, DIMENSIONS ARE IN INCHES  
 TOLERANCES ON:  
 DECIMALS ± .015 ANGLES ± 1° 0'

CONTRACT NO. H  
 DR. Nancy Roub  
 CHK. [Signature]  
 APPD. [Signature]  
 REL. [Signature]  
 OSIN APPD.  
 OTHER APPD.

AMP INCORPORATED  
 HARRISBURG, PENNSYLVANIA  
 NAME: TERM1 - POINT  
 TOOL ASSEMBLY  
 .031 X .062 MANUAL SERVICE  
 SIZE: C  
 CODE IDENT. NO.: 00779  
 NUMBER: 69526-2  
 SCALE: 1:1  
 SHEET: 1 OF 1