



Chipsmall Limited consists of a professional team with an average of over 10 year of expertise in the distribution of electronic components. Based in Hongkong, we have already established firm and mutual-benefit business relationships with customers from,Europe,America and south Asia,supplying obsolete and hard-to-find components to meet their specific needs.

With the principle of “Quality Parts,Customers Priority,Honest Operation,and Considerate Service”,our business mainly focus on the distribution of electronic components. Line cards we deal with include Microchip,ALPS,ROHM,Xilinx,Pulse,ON,Everlight and Freescale. Main products comprise IC,Modules,Potentiometer,IC Socket,Relay,Connector.Our parts cover such applications as commercial,industrial, and automotives areas.

We are looking forward to setting up business relationship with you and hope to provide you with the best service and solution. Let us make a better world for our industry!



## Contact us

Tel: +86-755-8981 8866 Fax: +86-755-8427 6832

Email & Skype: info@chipsmall.com Web: www.chipsmall.com

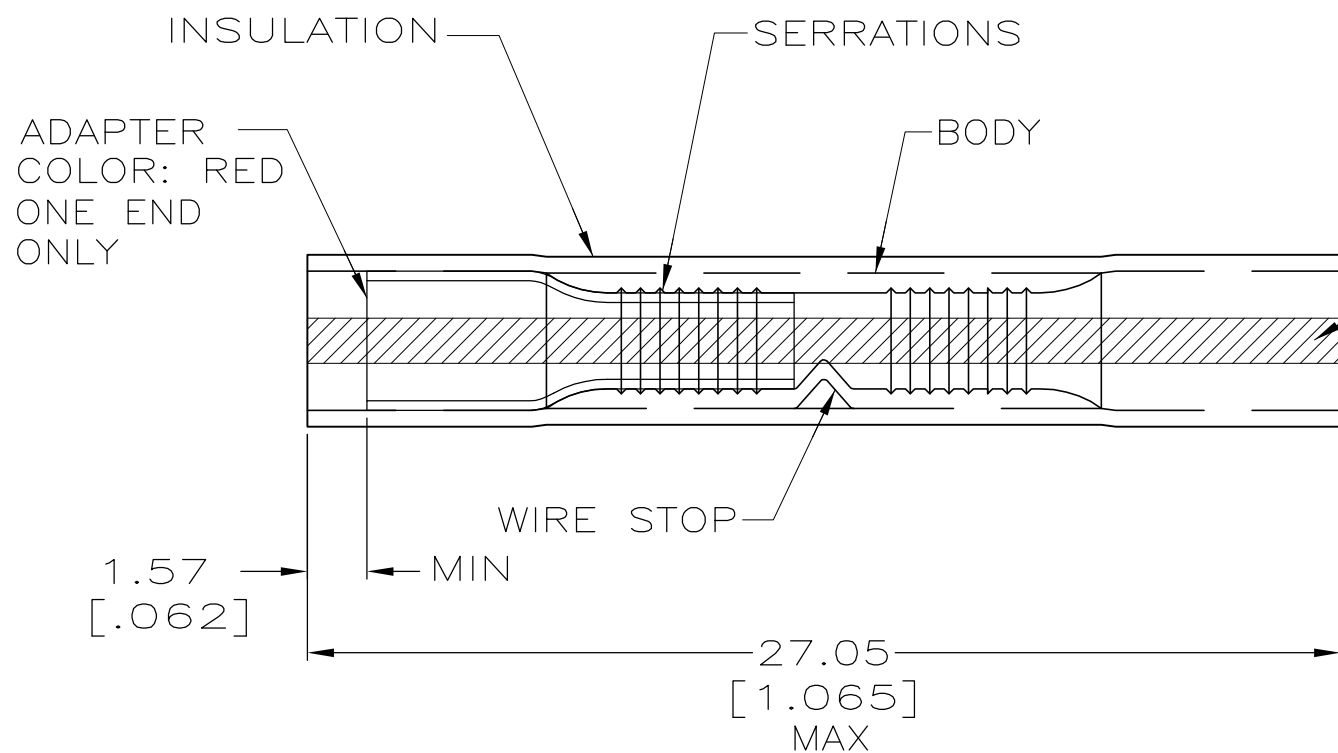
Address: A1208, Overseas Decoration Building, #122 Zhenhua RD., Futian, Shenzhen, China



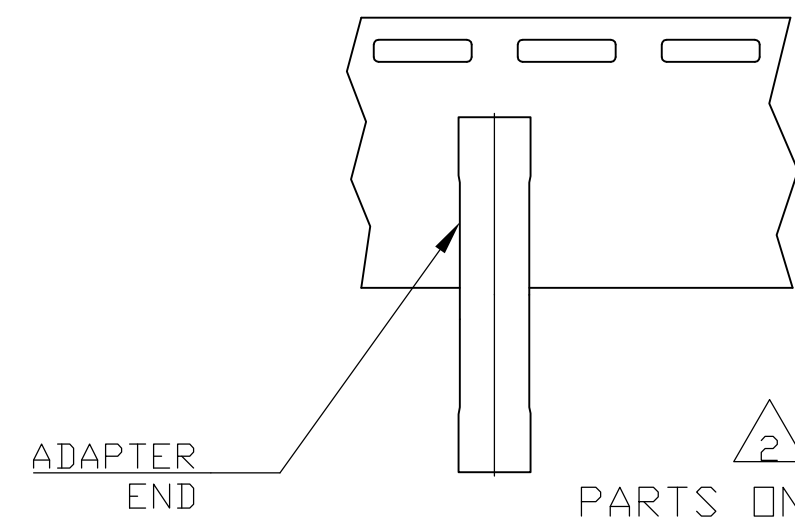
THIS DRAWING IS UNPUBLISHED. RELEASED FOR PUBLICATION  
 © COPYRIGHT BY TYCO ELECTRONICS CORPORATION. ALL RIGHTS RESERVED.

LOC	DIST	REVISIONS					
G	14	P	LTR	DESCRIPTION	DATE	DWN	APVD
			B	REV PER ECR 10-003056	15FEB10	JR	TM

1. WIRE INSUL DIA, 2.92-4.32 [.115-.170]  
 WIRE INSUL DIA, 1.27-2.92 [.050-.115]
- △ 2 TAPE APPLIED TO PART SUCH THAT  
 ADAPTER END IS NOT CRIMPED IN APPLICATOR
3. PARTS MANUFACTURED AFTER MAY 2005 ARE  
 ROHS COMPLIANT.



2 STRIPES  
 COLOR: BLUE  
 180° APART



PARTS ON TAPE

△ 2	2500	ON TAPE, REEL	BODY: COPPER PER ASTM B-152 TIN PL 0.00254 [.000100] MIN THK PER MIL-T-10727	696010-2
	1000	LOOSE PIECE	INSULATION: VINYL COLOR: TRANSPARENT	696010-1
	QTY	PACKAGE TYPE	MATERIAL & FINISH	PART NO

THIS DRAWING IS A CONTROLLED DOCUMENT.		DWN M ELLIS 27JUN97	Tyco Electronics Corporation Harrisburg, Pa 17105-3608	
DIMENSIONS: mm [INCHES]		CHK S BORTNER 27JUN97	NAME SPLICE, BUTT, PLASTI-GRIP	
TOLERANCES UNLESS OTHERWISE SPECIFIED:		APVD C FOX 27JUN97	WIRE SIZE: 22-18 TO 16-14 AWG	
0 PLC ± -		PRODUCT SPEC	SIZE	
1 PLC ± -		APPLICATION SPEC	CAGE CODE	
2 PLC ± -		WEIGHT	DRAWING NO	
3 PLC ± -			RESTRICTED TO	
4 PLC ± -			A3 00779 C-696010	
ANGLES ± -			SCALE 5:1	
FINISH			SHEET 1 OF 1	
MATERIAL			REV B	
		CUSTOMER DRAWING		