



Chipsmall Limited consists of a professional team with an average of over 10 year of expertise in the distribution of electronic components. Based in Hongkong, we have already established firm and mutual-benefit business relationships with customers from,Europe,America and south Asia,supplying obsolete and hard-to-find components to meet their specific needs.

With the principle of “Quality Parts,Customers Priority,Honest Operation,and Considerate Service”,our business mainly focus on the distribution of electronic components. Line cards we deal with include Microchip,ALPS,ROHM,Xilinx,Pulse,ON,Everlight and Freescale. Main products comprise IC,Modules,Potentiometer,IC Socket,Relay,Connector.Our parts cover such applications as commercial,industrial, and automotives areas.

We are looking forward to setting up business relationship with you and hope to provide you with the best service and solution. Let us make a better world for our industry!



Contact us

Tel: +86-755-8981 8866 Fax: +86-755-8427 6832

Email & Skype: info@chipsmall.com Web: www.chipsmall.com

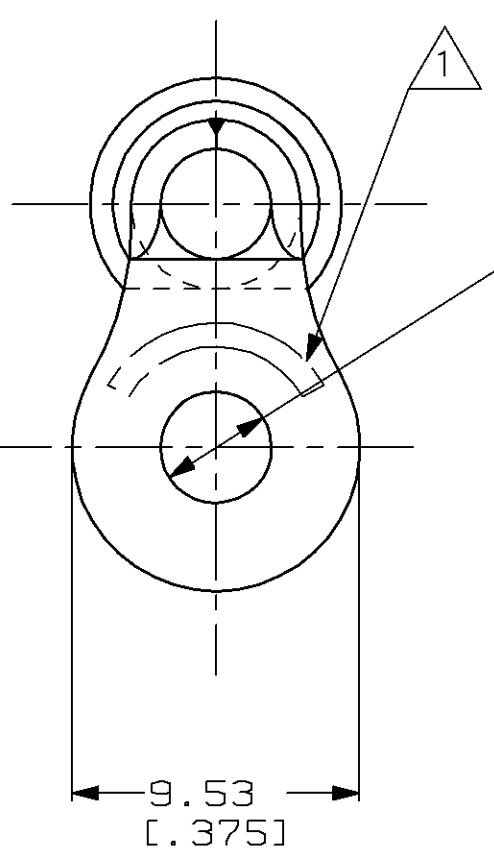
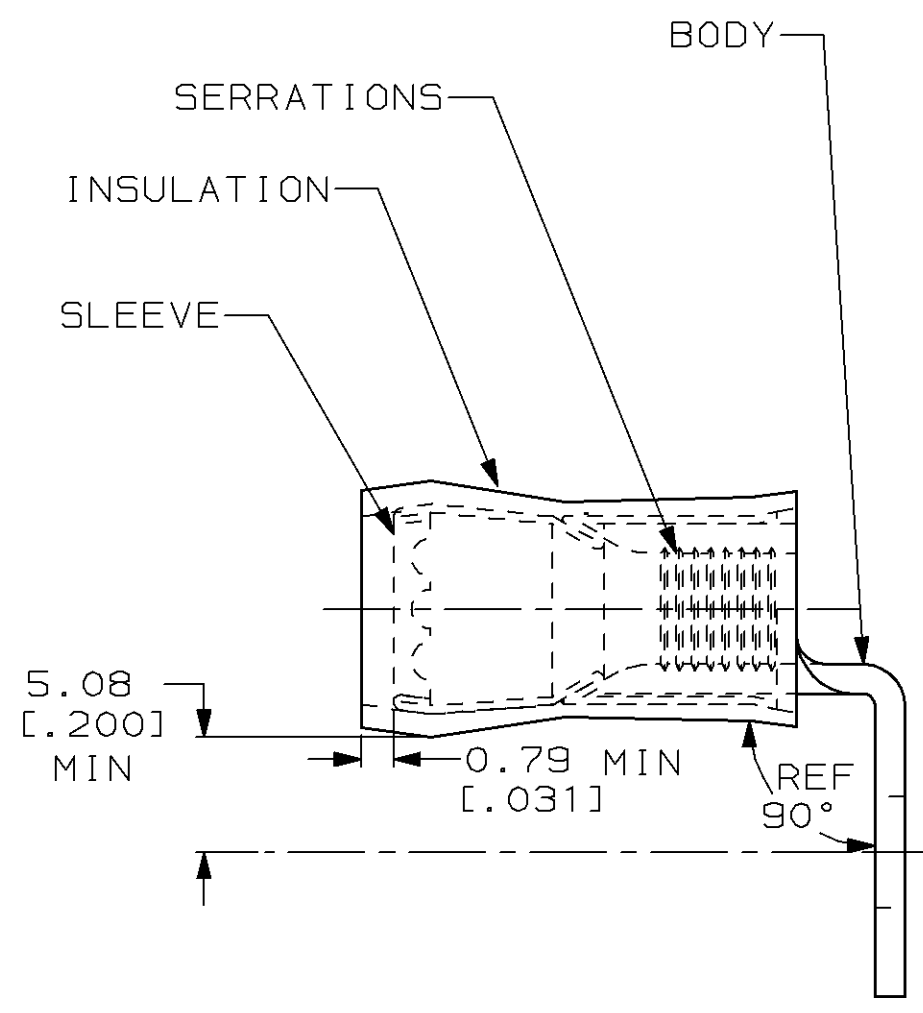
Address: A1208, Overseas Decoration Building, #122 Zhenhua RD., Futian, Shenzhen, China



THIS DRAWING IS UNPUBLISHED. RELEASED FOR PUBLICATION ,19 .
 © COPYRIGHT 19 BY AMP INCORPORATED. ALL RIGHTS RESERVED.

LOC	DIST	REVISIONS					
		P	LTR	DESCRIPTION	DATE	DWN	APVD
G	14		0	PR 97-120	18NOV97	LO	BB

- 1. STAMP AMP 12-10* APPROX AS SHOWN
- 2. WIRE INSUL DIA, 3.81-6.35 [.150-.250]
- 3. TONGUE MATL THK, 1.02±0.05 [.040±.002]
- 4. AMP TESTED AND CONFORMS TO UL486A BUT NOT SUBMITTED TO UL™ FOR APPROVAL



-	-	-
500	LOOSE PIECE	696020-1
QTY	PACKAGE TYPE	PART NO

AMP INCORPORATED
CUSTOMER SERVICE SYSTEM

FOR ADDITIONAL PRODUCT INFORMATION OR COPIES OF DRAWINGS AND TECHNICAL DOCUMENTS: PRODUCT INFORMATION CENTER 1-800-522-6752

FOR APPLICATION TOOLING INFORMATION: TOOLING ASSISTANCE CENTER 1-800-722-1111

FOR ORDER ENTRY: 1-800-526-5142

MAX RECOMMENDED OPERATING TEMPERATURE:
 105°C [221°F]

VOLTAGE RATING:
 300 VOLT MAX

CIRCULAR MIL AREA:
 2.62mm² - 6.64mm²
 [5,180-13,100]

THIS DRAWING IS A CONTROLLED DOCUMENT FOR AMP INCORPORATED. IT IS SUBJECT TO CHANGE AND THE CONTROLLING ENGINEERING ORGANIZATION SHOULD BE CONTACTED FOR THE LATEST REVISION.

DIMENSIONS: mm [in]

TOLERANCES UNLESS OTHERWISE SPECIFIED:

0 PLC	±-
1 PLC	±-
2 PLC	±0.20 [.008]
3 PLC	±-
4 PLC	±-
ANGLES	±-

MATERIAL: BODY & SLEEVE, CU PER ASTM B-152; INSUL, NYLON, COLOR, YELLOW

FINISH: BODY & SLEEVE, TIN PLATE PER ASTM B-545

DWN: L OLMEDA 18NOV97
 CHK: M ELLIS 18NOV97
 APVD: T MICHIELUTTI 18NOV97

PRODUCT SPEC: -
 APPLICATION SPEC: -
 WEIGHT: -

AMP AMP Incorporated
 Harrisburg, PA 17105-3608

NAME: TERMINAL, RING TONGUE, PIDG™, WIRE SIZE, 12-10, 90°

SIZE: A3 CAGE CODE: 00779 DRAWING NO: C-696020

CUSTOMER DRAWING SCALE: 6:1 SHEET: 1 OF 1 REV: 0