



Chipsmall Limited consists of a professional team with an average of over 10 year of expertise in the distribution of electronic components. Based in Hongkong, we have already established firm and mutual-benefit business relationships with customers from,Europe,America and south Asia,supplying obsolete and hard-to-find components to meet their specific needs.

With the principle of “Quality Parts,Customers Priority,Honest Operation,and Considerate Service”,our business mainly focus on the distribution of electronic components. Line cards we deal with include Microchip,ALPS,ROHM,Xilinx,Pulse,ON,Everlight and Freescale. Main products comprise IC,Modules,Potentiometer,IC Socket,Relay,Connector.Our parts cover such applications as commercial,industrial, and automotives areas.

We are looking forward to setting up business relationship with you and hope to provide you with the best service and solution. Let us make a better world for our industry!



Contact us

Tel: +86-755-8981 8866 Fax: +86-755-8427 6832

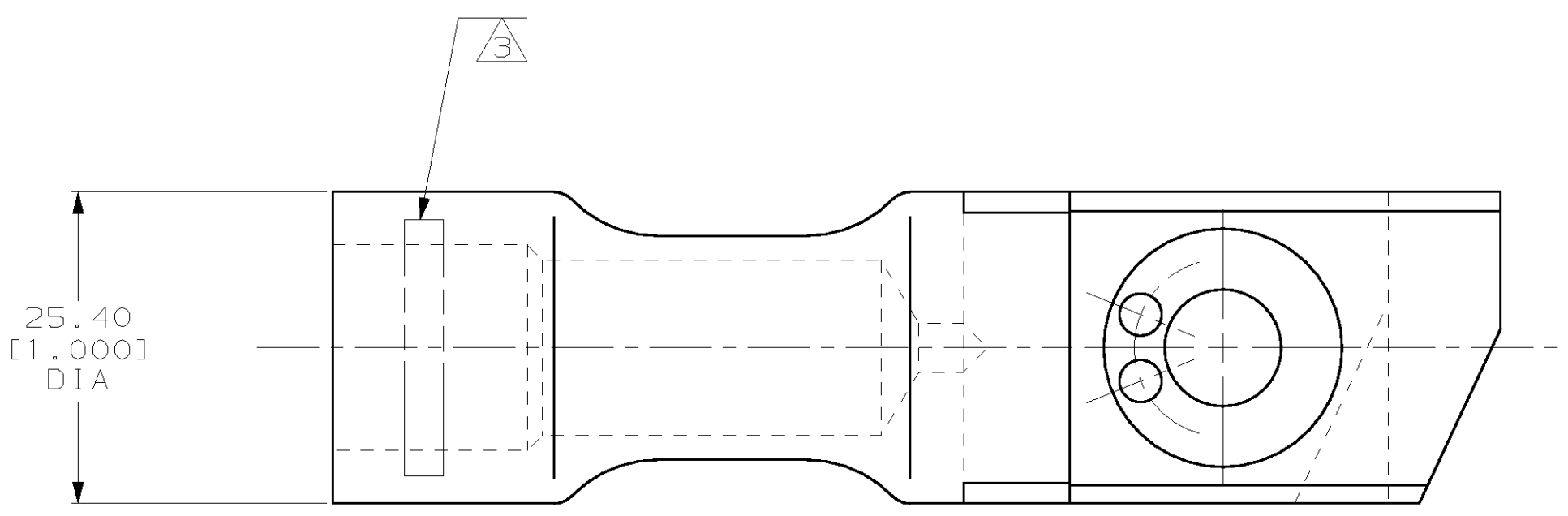
Email & Skype: info@chipsmall.com Web: www.chipsmall.com

Address: A1208, Overseas Decoration Building, #122 Zhenhua RD., Futian, Shenzhen, China

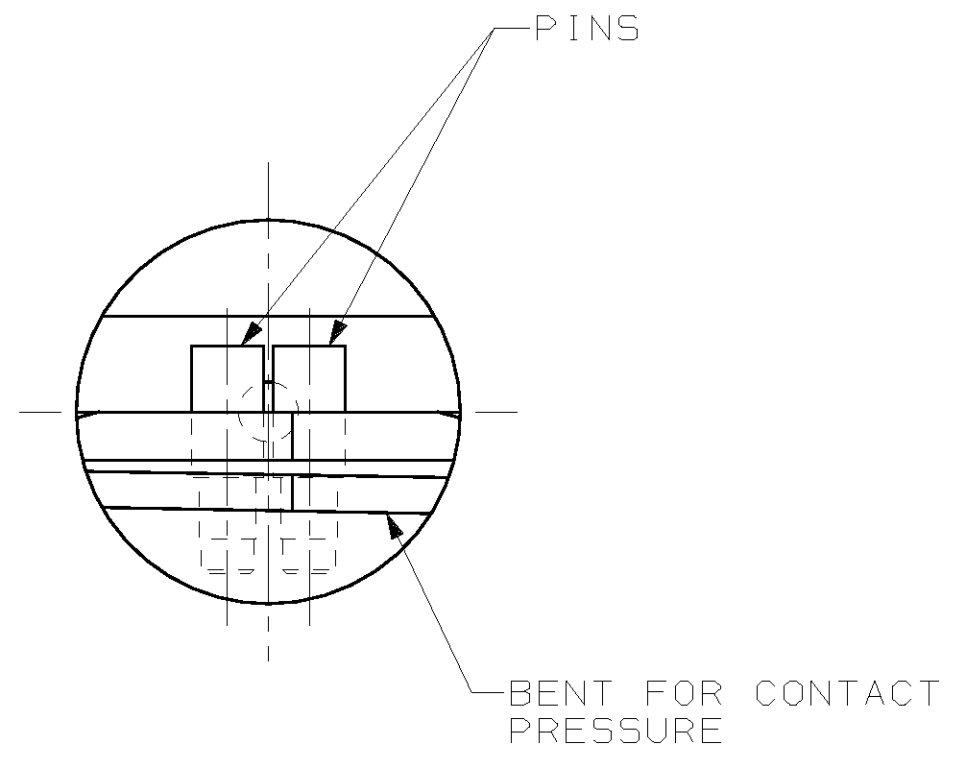
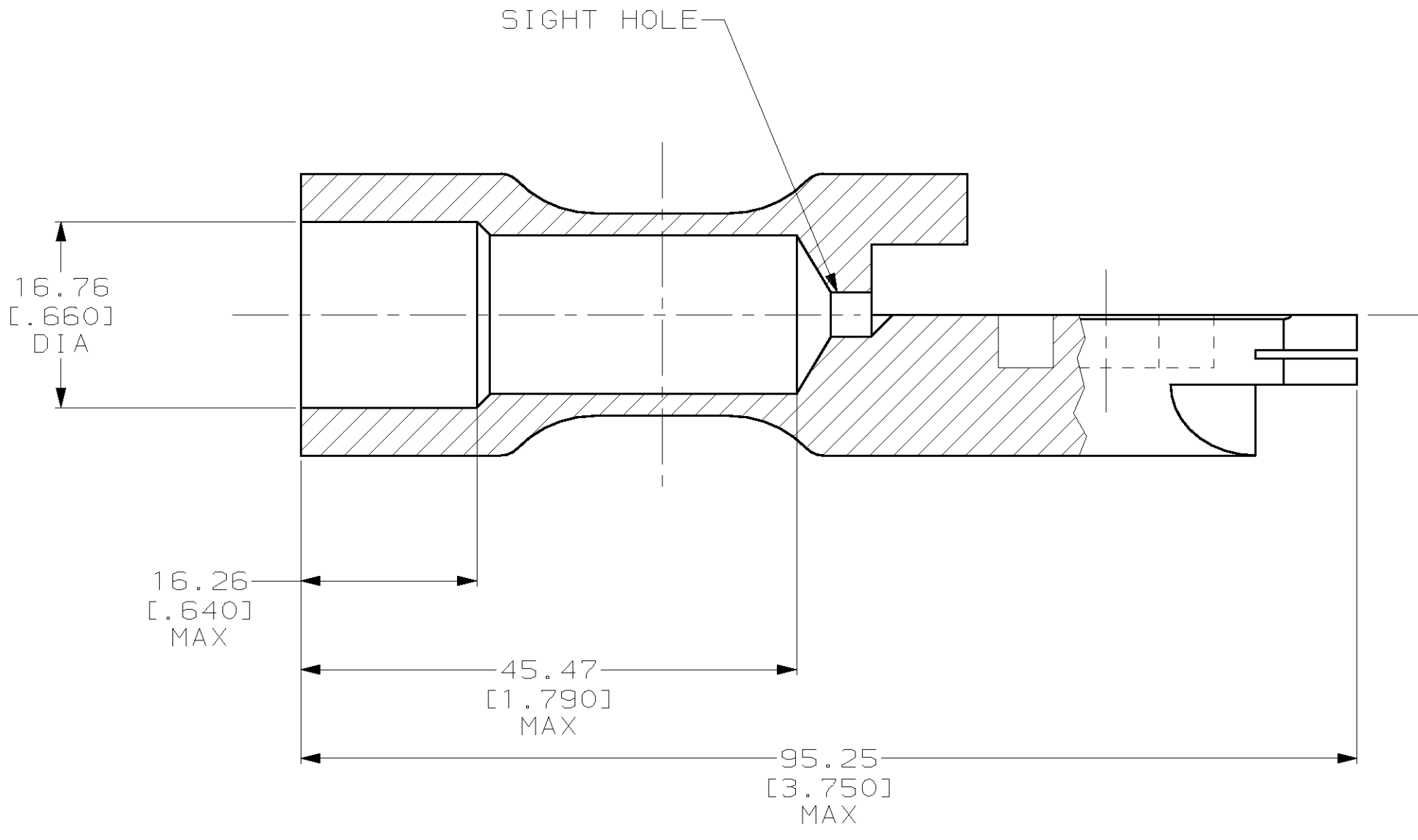


THIS DRAWING IS UNPUBLISHED. RELEASED FOR PUBLICATION
 (C) COPYRIGHT 19 BY AMP INCORPORATED. ALL RIGHTS RESERVED.

LOC	DIST	REVISIONS					
		P	LTR	DESCRIPTION	DATE	DWN	APVD
G	86	0		RELEASED PER PR 97-151	26JAN98	DKS	SJU



- 1 BODY AND PINS: BRASS PER QQ-B-626
- 2 SILVER PL 0.00762[.000300] MIN THK PER QQ-S-365
- 3 STAMP AEG 7077D80G17 2/O A33 LOCATED IN AREA APPROX AS SHOWN



696037-1
AMP
PART NUMBER

THIS DRAWING IS A CONTROLLED DOCUMENT.		DWN DK SCHRUM 23JAN98	AMP Incorporated Harrisburg, PA 17105-3608	
DIMENSIONS: mm [INCHES]		CHK SJ UNGER 26JAN98	NAME TJ MICHELUTTI	
TOLERANCES UNLESS OTHERWISE SPECIFIED: 0 PLC ± 1 PLC ± 2 PLC ±0.20(.008) 3 PLC ± 4 PLC ± ANGLES ±		APVD TJ MICHELUTTI 26JAN98	PRODUCT SPEC 108-13014	
MATERIAL 1		FINISH 2	SIZE A2	CAGE CODE 00779
		WEIGHT -	DRAWING NO 696037	RESTRICTED TO -
		CUSTOMER DRAWING	SCALE 2:1	SHEET 1 OF 1
			REV 0	

696037