



Chipsmall Limited consists of a professional team with an average of over 10 year of expertise in the distribution of electronic components. Based in Hongkong, we have already established firm and mutual-benefit business relationships with customers from,Europe,America and south Asia,supplying obsolete and hard-to-find components to meet their specific needs.

With the principle of “Quality Parts,Customers Priority,Honest Operation,and Considerate Service”,our business mainly focus on the distribution of electronic components. Line cards we deal with include Microchip,ALPS,ROHM,Xilinx,Pulse,ON,Everlight and Freescale. Main products comprise IC,Modules,Potentiometer,IC Socket,Relay,Connector.Our parts cover such applications as commercial,industrial, and automotives areas.

We are looking forward to setting up business relationship with you and hope to provide you with the best service and solution. Let us make a better world for our industry!



Contact us

Tel: +86-755-8981 8866 Fax: +86-755-8427 6832

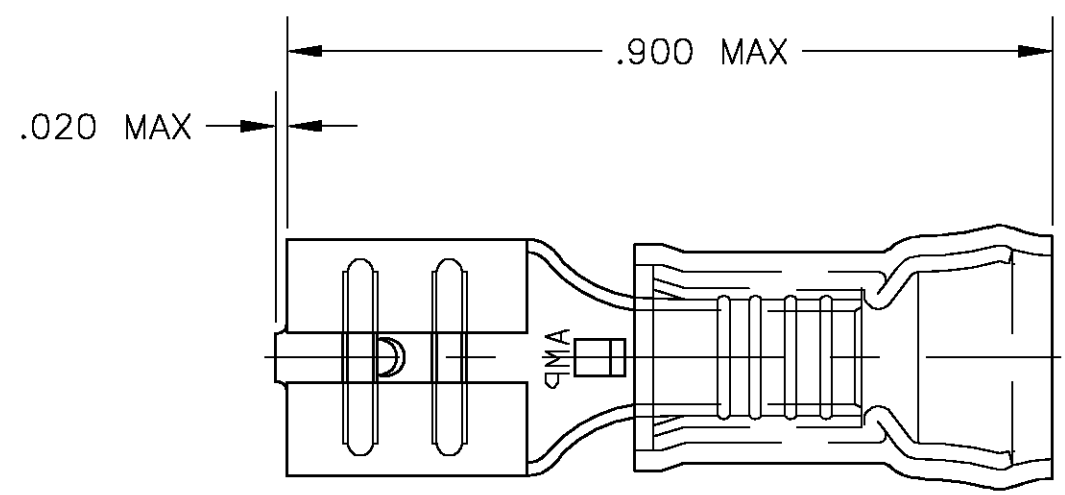
Email & Skype: info@chipsmall.com Web: www.chipsmall.com

Address: A1208, Overseas Decoration Building, #122 Zhenhua RD., Futian, Shenzhen, China



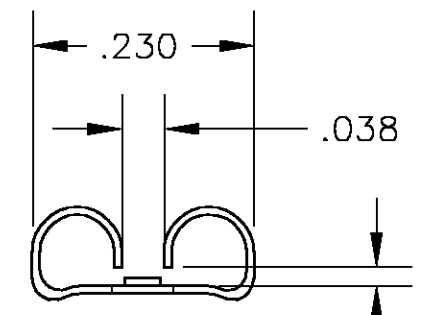
THIS DRAWING IS UNPUBLISHED. RELEASED FOR PUBLICATION
 © COPYRIGHT BY TYCO ELECTRONICS CORPORATION. ALL RIGHTS RESERVED.

LOC	DIST	REVISIONS					
G	14	P	LTR	DESCRIPTION	DATE	DWN	APVD
			C1	CORRECTED VIEW	25MAY04	JR	TM

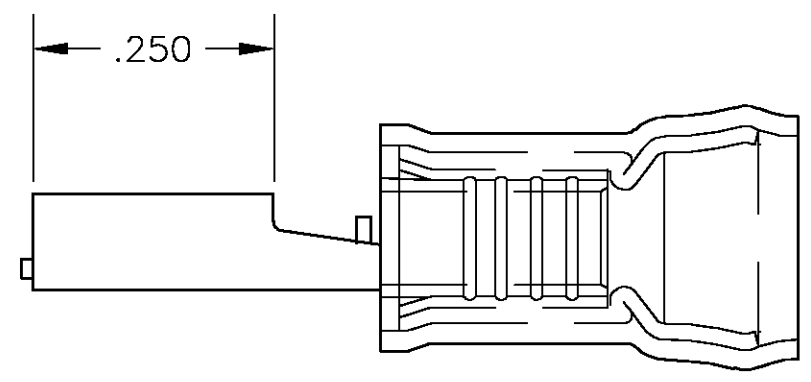


AMP WIRE RANGE 4
16-14 AWG STRANDED

- 1 WIRE INSULATION DIA .250 MAX
- 2 MATES WITH .032±.001 THK TAB
- 3 MATERIAL THK IS .016±.002
- 4** MUST BE CRIMPED WITH PIDG FASTON 14-12 TOOLING.
- 5** BODY - BRASS PER ASTM B36
SLEEVE - NYLON, COLOR BLUE
- 6** BODY - TIN PLATE PER ASTM B545



FITS .187 SERIES
FASTON TAB



2500	ON TAPE, REEL	696108-2
500	LOOSE PIECE	696108-1
QTY	PACKAGE TYPE	PART NO

AMP INCORPORATED CUSTOMER SERVICE SYSTEMS		MAX RECOMMENDED OPERATING TEMPERATURE: 90° C	THIS DRAWING IS A CONTROLLED DOCUMENT.		DWN jr_ruth 13APR99	tyco Electronics Tyco Electronics Corporation Harrisburg, PA 17105				
FOR ADDITIONAL PRODUCT INFORMATION OR COPIES OF DRAWINGS AND TECHNICAL DOCUMENTS	PRODUCT INFORMATION CENTER 1-800-522-6752	VOLTAGE RATING: 300V MAX	DIMENSIONS: INCHES	TOLERANCES UNLESS OTHERWISE SPECIFIED:	CHK T MICHELUTTI 13APR99	RECEPTACLE, .187 SERIES FASTON, PIDG WIRE SIZE 16-14 AWG				
FOR APPLICATION TOOLING INFORMATION	TOOLING ASSISTANCE CENTER 1-800-722-1111	CIRCULAR MIL AREA: 1.04-2.62mm ² [2,050-5,180] STRANDED		0 PLC ± - 1 PLC ± - 2 PLC ± - 3 PLC ± .015 4 PLC ± - ANGLES ± 5'	APVD T MICHELUTTI 13APR99			NAME		
FOR ORDER ENTRY	1-800-526-5142	THIS DRAWING IS A CONTROLLED DOCUMENT FOR AMP INCORPORATED. IT IS SUBJECT TO CHANGE AND THE CONTROLLING ENGINEERING ORGANIZATION SHOULD BE CONTACTED FOR THE LATEST REVISION.		MATERIAL - 5	FINISH - 6	APPLICATION SPEC 114-1002	SIZE A3	CAGE CODE 00779	DRAWING NO C-696108	RESTRICTED TO -
CUSTOMER DRAWING						SCALE 5:1	SHEET 1 OF 1	REV C1		