



Chipsmall Limited consists of a professional team with an average of over 10 year of expertise in the distribution of electronic components. Based in Hongkong, we have already established firm and mutual-benefit business relationships with customers from,Europe,America and south Asia,supplying obsolete and hard-to-find components to meet their specific needs.

With the principle of “Quality Parts,Customers Priority,Honest Operation,and Considerate Service”,our business mainly focus on the distribution of electronic components. Line cards we deal with include Microchip,ALPS,ROHM,Xilinx,Pulse,ON,Everlight and Freescale. Main products comprise IC,Modules,Potentiometer,IC Socket,Relay,Connector.Our parts cover such applications as commercial,industrial, and automotives areas.

We are looking forward to setting up business relationship with you and hope to provide you with the best service and solution. Let us make a better world for our industry!



Contact us

Tel: +86-755-8981 8866 Fax: +86-755-8427 6832

Email & Skype: info@chipsmall.com Web: www.chipsmall.com

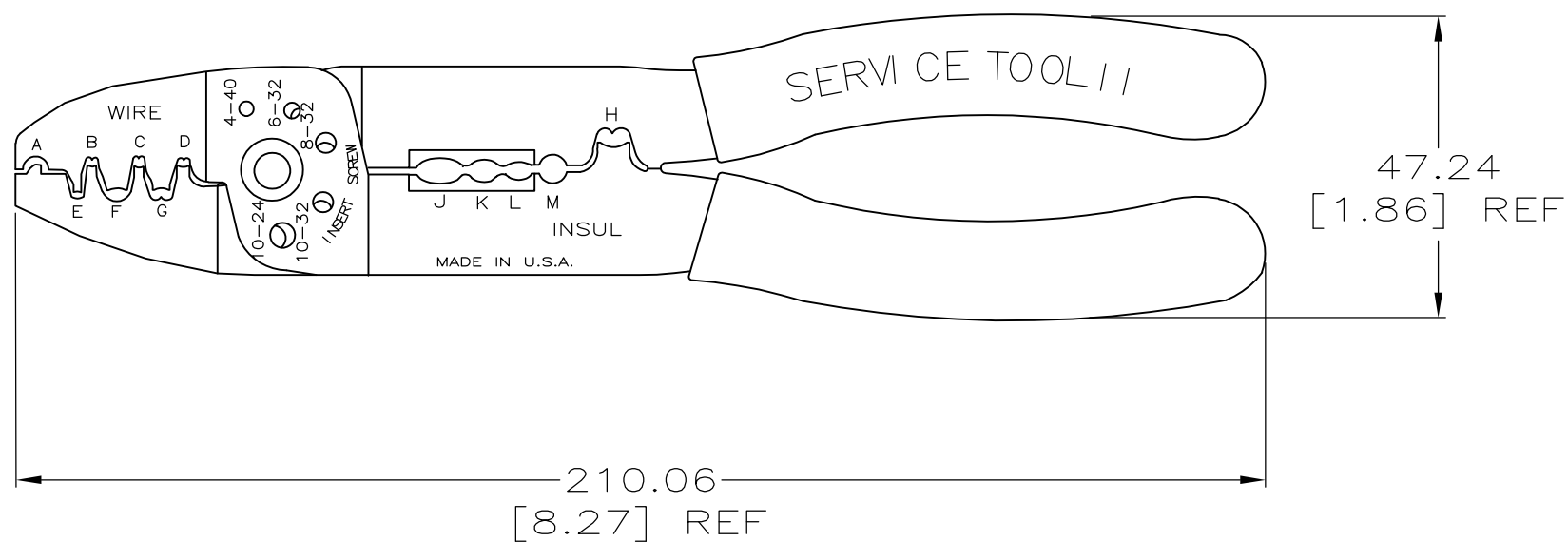
Address: A1208, Overseas Decoration Building, #122 Zhenhua RD., Futian, Shenzhen, China




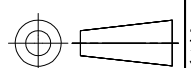
THIS DRAWING IS UNPUBLISHED. RELEASED FOR PUBLICATION
 © COPYRIGHT - By - ALL RIGHTS RESERVED.

LOC	DIST	REVISIONS			
P	LTR	DESCRIPTION	DATE	DWN	APVD
G	50	C1	REVISED PER ECO-11-004917	11MAR11	RK HMR

- 1 DRAWING SHOWS MINIMUM PRINTING ON HAND TOOL.
- 2 FOR SIMPLICITY, PRINTED INFORMATION SHOWN ON ONE SIDE. ACTUAL PRINTING MAY BE ON EITHER SIDE OF HAND TOOL.



696202-1
 PART NO.

THIS DRAWING IS A CONTROLLED DOCUMENT.		DWN JR RUTH 23JUN00	 TE Connectivity		
DIMENSIONS: mm [INCHES]		CHK T MICHELUTTI 23JUN00			
		APVD T MICHELUTTI 23JUN00	NAME HAND TOOL, SUPER CHAMP		
TOLERANCES UNLESS OTHERWISE SPECIFIED:		PRODUCT SPEC	RESTRICTED TO		
0 PLC ± -		APPLICATION SPEC	SIZE	CAGE CODE	DRAWING NO
1 PLC ± -		—	A3 00779		C-696202
2 PLC ± -		—	SCALE 1:1 SHEET 1 OF 1 REV C1		
3 PLC ± -		—			
4 PLC ± -		—			
ANGLES ± -		—			
MATERIAL		FINISH	CUSTOMER DRAWING		
-		-			