



Chipsmall Limited consists of a professional team with an average of over 10 year of expertise in the distribution of electronic components. Based in Hongkong, we have already established firm and mutual-benefit business relationships with customers from,Europe,America and south Asia,supplying obsolete and hard-to-find components to meet their specific needs.

With the principle of “Quality Parts,Customers Priority,Honest Operation,and Considerate Service”,our business mainly focus on the distribution of electronic components. Line cards we deal with include Microchip,ALPS,ROHM,Xilinx,Pulse,ON,Everlight and Freescale. Main products comprise IC,Modules,Potentiometer,IC Socket,Relay,Connector.Our parts cover such applications as commercial,industrial, and automotives areas.

We are looking forward to setting up business relationship with you and hope to provide you with the best service and solution. Let us make a better world for our industry!



Contact us

Tel: +86-755-8981 8866 Fax: +86-755-8427 6832

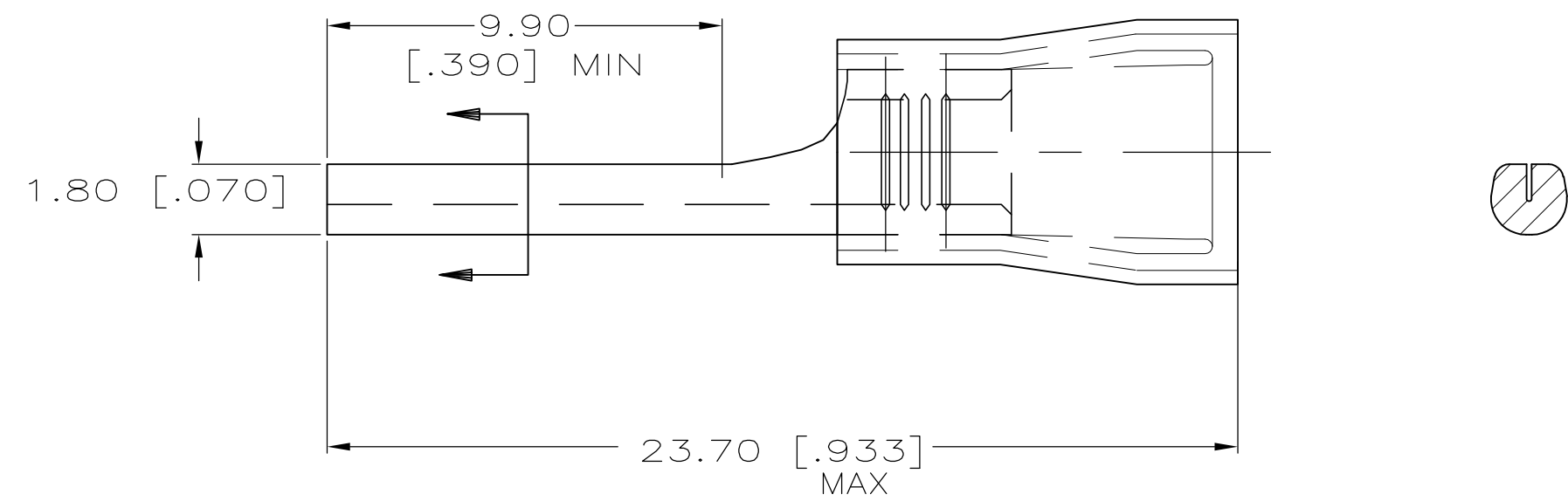
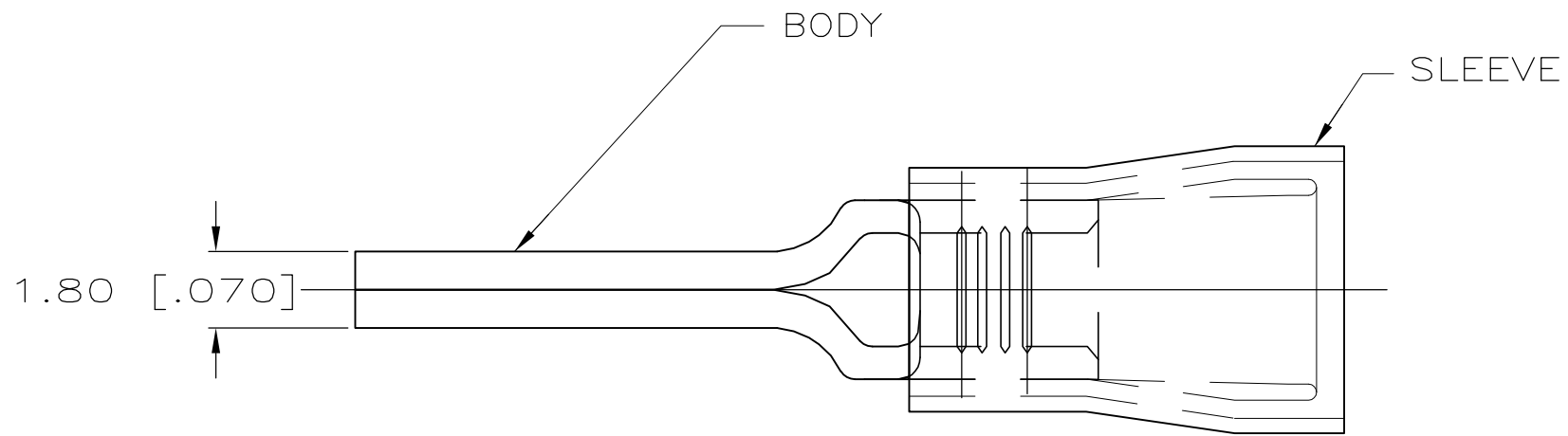
Email & Skype: info@chipsmall.com Web: www.chipsmall.com

Address: A1208, Overseas Decoration Building, #122 Zhenhua RD., Futian, Shenzhen, China



THIS DRAWING IS UNPUBLISHED. RELEASED FOR PUBLICATION
 © COPYRIGHT BY TYCO ELECTRONICS CORPORATION. ALL RIGHTS RESERVED.

LOC	DIST	REVISIONS					
G	14	P	LTR	DESCRIPTION	DATE	DWN	APVD
		F		REV PER ECR 07-023647	12OCT07	JR	TM



AMP WIRE RANGE	FILE E13288
16-14 AWG STRANDED	16-14 AWG STRANDED

- 1 WIRE INSULATION DIA.
2.92-4.32 [.115-.170] DIA.
- 2 MATERIAL: BODY - CU PER ASTM B152
SLEEVE - CU PER ASTM B152
INSULATION - NYLON
- 3 FINISH: BODY - TIN PL. PER ASTM B545
SLEEVE - TIN PL. PER ASTM B545
INSULATION - COLOR - BLUE
- 4 LOOSE PIECE P/N 165172

4000	ON TAPE	696274-2
QTY	PACKAGE TYPE	PART NO

AMP INCORPORATED CUSTOMER SERVICE SYSTEMS	
FOR ADDITIONAL PRODUCT INFORMATION OR COPIES OF DRAWINGS AND TECHNICAL DOCUMENTS	PRODUCT INFORMATION CENTER 1-800-522-6752
FOR APPLICATION TOOLING INFORMATION	TOOLING ASSISTANCE CENTER 1-800-722-1111
FOR ORDER ENTRY	1-800-526-5142

MAX RECOMMENDED OPERATING TEMPERATURE: 105°C [221° F]
VOLTAGE RATING: 300V MAX
CIRCULAR MIL AREA: 1.0-2.6mm ² [1,974-5,131] STRANDED

THIS DRAWING IS A CONTROLLED DOCUMENT.	
DIMENSIONS: mm [INCHES]	TOLERANCES UNLESS OTHERWISE SPECIFIED:
	0 PLC ± -
	1 PLC ± -
	2 PLC ± 0.20 [.008]
	3 PLC ± -
	4 PLC ± -
	ANGLES ± -
MATERIAL	FINISH
- 2	- 3

DWN JR RUTH 01DEC00	Tyco Electronics Corporation Harrisburg, PA 17105-3608	
CHK T MICHIELUTTI 01DEC00	NAME TERMINAL, WIRE PIN, PIDG WIRE SIZE, 16-14 AWG	
APVD T MICHIELUTTI 01DEC00	PRODUCT SPEC	
	APPLICATION SPEC	
	WEIGHT	
	SIZE A3	CAGE CODE 00779
	DRAWING NO G-696274	RESTRICTED TO -
CUSTOMER DRAWING		SCALE 6:1
		SHEET 1 OF 1
		REV F