



Chipsmall Limited consists of a professional team with an average of over 10 year of expertise in the distribution of electronic components. Based in Hongkong, we have already established firm and mutual-benefit business relationships with customers from,Europe,America and south Asia,supplying obsolete and hard-to-find components to meet their specific needs.

With the principle of “Quality Parts,Customers Priority,Honest Operation,and Considerate Service”,our business mainly focus on the distribution of electronic components. Line cards we deal with include Microchip,ALPS,ROHM,Xilinx,Pulse,ON,Everlight and Freescale. Main products comprise IC,Modules,Potentiometer,IC Socket,Relay,Connector.Our parts cover such applications as commercial,industrial, and automotives areas.

We are looking forward to setting up business relationship with you and hope to provide you with the best service and solution. Let us make a better world for our industry!



## Contact us

Tel: +86-755-8981 8866 Fax: +86-755-8427 6832

Email & Skype: info@chipsmall.com Web: www.chipsmall.com

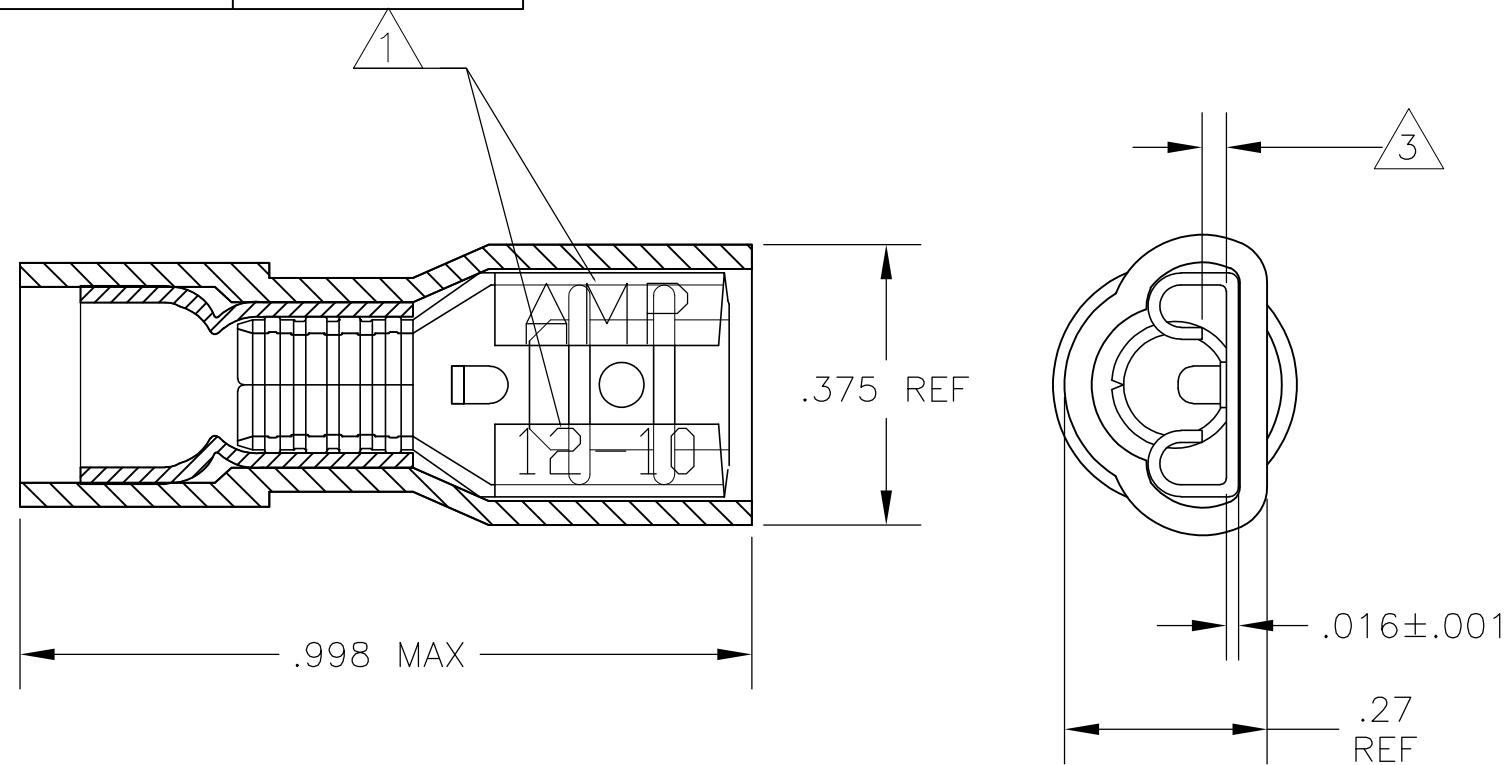
Address: A1208, Overseas Decoration Building, #122 Zhenhua RD., Futian, Shenzhen, China



THIS DRAWING IS UNPUBLISHED. RELEASED FOR PUBLICATION  
 © COPYRIGHT - By - ALL RIGHTS RESERVED.

LOC	DIST	REVISIONS					
G	86	P	LTR	DESCRIPTION	DATE	DWN	APVD
			E2	REVISED PER ECO-11-005027	11MAR11	RK	HMR

<b>AMP WIRE RANGE</b>	 FILE E66717	 LR7189 Certified
12-10 AWG STRANDED	12-10 AWG STRANDED	12-10 AWG STRANDED

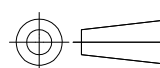



- 1 MARKED AMP 12-10
- 2 DESIGNED FOR WIRE INSULATION DIA OF .135-.210.
- 3 MATES WITH .250±.003 BY .032±.001 THK TAB.
- 4 BODY: BRASS, TIN PLATED SLEEVE: NYLON, YELLOW
- 5 RATED FOR 24 MAX AMPERE

100	LOOSE PIECE	8-696371-1
1000	LOOSE PIECE	696371-1
QTY	PACKAGE TYPE	PART NO.

TE CONNECTIVITY CUSTOMER SERVICE SYSTEM	
FOR ADDITIONAL PRODUCT INFORMATION OR COPIES OF DRAWING AND TECHNICAL DOCUMENTS	PRODUCT INFORMATION CENTER 1-800-522-6752
FOR APPLICATION TOOLING INFORMATION	TOOLING ASSISTANCE CENTER 1-800-722-1111
FOR ORDER ENTRY	1-800-526-5142

MAX RECOMMENDED OPERATING TEMPERATURE: 105°C [221°F]
VOLTAGE RATING: 300V MAX
CIRCULAR MIL AREA: 5,180-13,100 STRANDED

THIS DRAWING IS A CONTROLLED DOCUMENT.	
DIMENSIONS: INCHES	TOLERANCES UNLESS OTHERWISE SPECIFIED:
	0 PLC ± - 1 PLC ± - 2 PLC ± - 3 PLC ± .008 4 PLC ± - ANGLES ± -
MATERIAL - 4	FINISH - 4

DWN JR RUTH 07NOV01	 TE Connectivity RECEPTACLE, 250 SERIES, FASTON, FULLY INSULATED, WIRE: 12-10 AWG	RESTRICTED TO		
CHK T MICHELUTTI 07NOV01		NAME		
APVD T MICHELUTTI 07NOV01		SIZE	CAGE CODE	DRAWING NO
PRODUCT SPEC		A3	00779	C-696371
APPLICATION SPEC	114-13076	SCALE 1:1		
WEIGHT	-	SHEET 1 OF 1		
CUSTOMER DRAWING		REV E2		