



Chipsmall Limited consists of a professional team with an average of over 10 year of expertise in the distribution of electronic components. Based in Hongkong, we have already established firm and mutual-benefit business relationships with customers from,Europe,America and south Asia,supplying obsolete and hard-to-find components to meet their specific needs.

With the principle of “Quality Parts,Customers Priority,Honest Operation,and Considerate Service”,our business mainly focus on the distribution of electronic components. Line cards we deal with include Microchip,ALPS,ROHM,Xilinx,Pulse,ON,Everlight and Freescale. Main products comprise IC,Modules,Potentiometer,IC Socket,Relay,Connector.Our parts cover such applications as commercial,industrial, and automotives areas.

We are looking forward to setting up business relationship with you and hope to provide you with the best service and solution. Let us make a better world for our industry!



Contact us

Tel: +86-755-8981 8866 Fax: +86-755-8427 6832

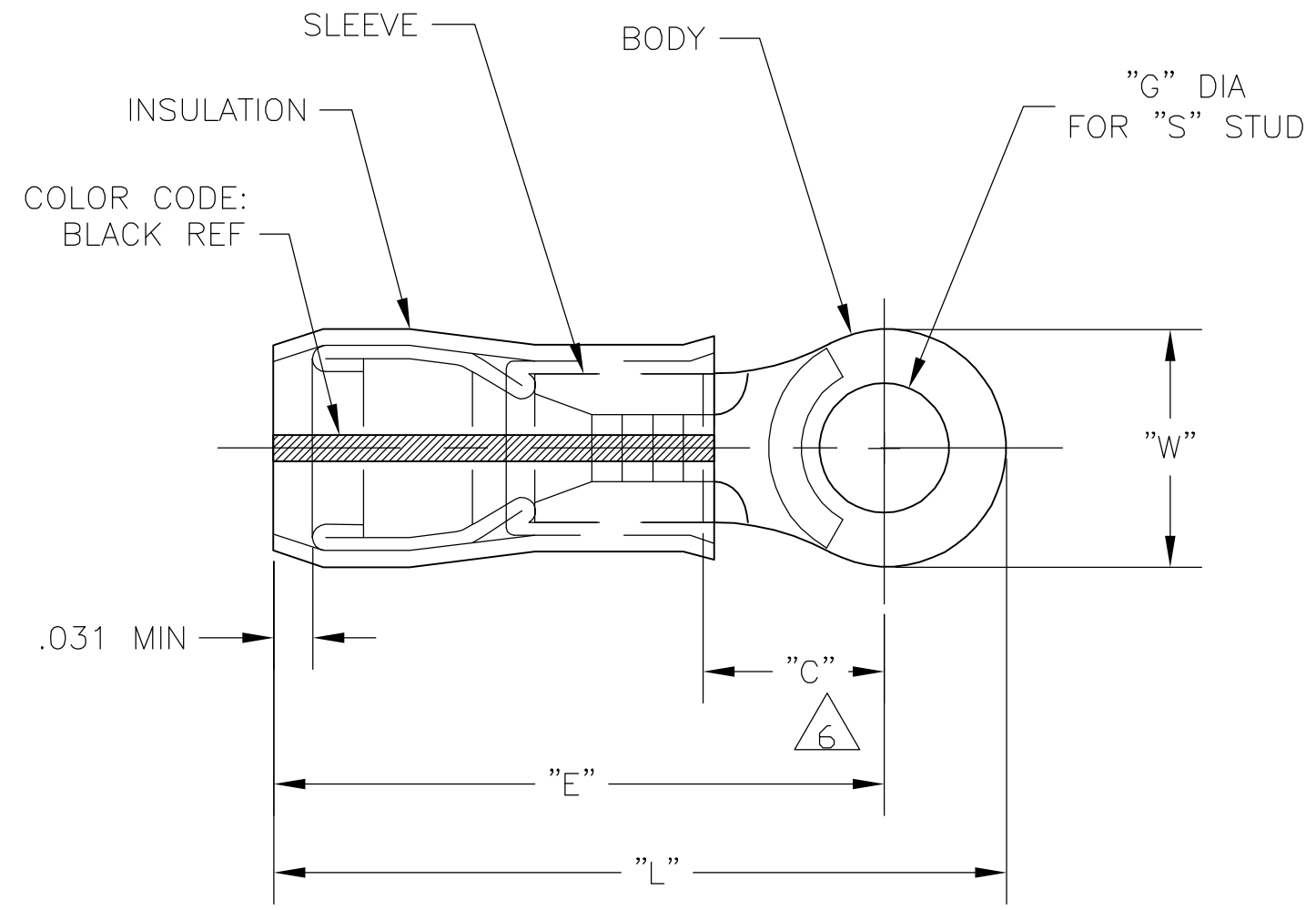
Email & Skype: info@chipsmall.com Web: www.chipsmall.com

Address: A1208, Overseas Decoration Building, #122 Zhenhua RD., Futian, Shenzhen, China



THIS DRAWING IS UNPUBLISHED. RELEASED FOR PUBLICATION
 © COPYRIGHT - BY TYCO ELECTRONICS CORPORATION. ALL RIGHTS RESERVED.

LOC	DIST	REVISIONS					
		P	LTR	DESCRIPTION	DATE	DWN	APVD
G	14		A	DRAWN	01NOV05	JR	TM



- 1 STAMP AMP 16-14HD, APPROX AS SHOWN
- 2 WIRE INSULATION DIA: .150-.230
- 3 TONGUE MATERIAL THK: .050 MAX
- 4 BODY & SLEEVE: TIN PLATE PER ASTM B545,
- 5 BODY & SLEEVE- CU PER ASTM B152 INSULATION - PVF2, COLOR - NATURAL
- 6 APPLIES FROM EDGE OF METAL WIRE BARREL TO CENTER OF STUD HOLE.

.750	.625 MIN	1.221 MAX	.515±.005	1/2"	1.599 MAX	500	LOOSE PIECE	1-696430-0
.531	.437 MIN	1.033 MAX	.390±.005	3/8"	1.301 MAX	500	LOOSE PIECE	696430-9
.531	.437 MIN	1.033 MAX	.328±.005	5/16"	1.301 MAX	500	LOOSE PIECE	696430-8
.531	.437 MIN	1.033 MAX	.265±.005	1/4"	1.301 MAX	500	LOOSE PIECE	696430-7
.343	.281 MIN	.877 MAX	.197±.003	#10	1.051 MAX	500	LOOSE PIECE	696430-6
.343	.281 MIN	.877 MAX	.171±.003	#8	1.051 MAX	500	LOOSE PIECE	696430-5
.343	.281 MIN	.877 MAX	.145±.003	#6	1.051 MAX	500	LOOSE PIECE	696430-4
.281	.219 MIN	.815 MAX	.119±.003	#4	.960 MAX	500	LOOSE PIECE	696430-2
"W"	"C"	"E"	"G" DIA	"S"	"L"	QTY	PACKAGE TYPE	PART NO

AMP INCORPORATED CUSTOMER SERVICE SYSTEMS		MAX RECOMMENDED OPERATING TEMPERATURE: 150°C MAX	THIS DRAWING IS A CONTROLLED DOCUMENT.		DWN JR RUTH 01NOV05	Tyco Electronics Corporation Harrisburg, PA 17105-3608			
FOR ADDITIONAL PRODUCT INFORMATION OR COPIES OF DRAWINGS AND TECHNICAL DOCUMENTS	PRODUCT INFORMATION CENTER 1-800-522-6752	VOLTAGE RATING: -	DIMENSIONS: INCHES	TOLERANCES UNLESS OTHERWISE SPECIFIED:	CHK T MICHIELUTTI 01NOV05	NAME TERMINAL, RING TONGUE, PVF2, P.I.D.G. WIRE SIZE: 16-14HD AWG			
FOR APPLICATION TOOLING INFORMATION	TOOLING ASSISTANCE CENTER 1-800-722-1111	CIRCULAR MIL AREA: 1.04-2.62mm² [2,050-5,180] STRANDED		0 PLC ± - 1 PLC ± - 2 PLC ± - 3 PLC ± - 4 PLC ± - ANGLES ± -	APVD T MICHIELUTTI 01NOV05	APPLICATION SPEC			
FOR ORDER ENTRY	1-800-526-5142	THIS DRAWING IS A CONTROLLED DOCUMENT FOR AMP INCORPORATED. IT IS SUBJECT TO CHANGE AND THE CONTROLLING ENGINEERING ORGANIZATION SHOULD BE CONTACTED FOR THE LATEST REVISION.	MATERIAL -	FINISH -	PRODUCT SPEC	SIZE A3	CAGE CODE 00779	DRAWING NO C-696430	RESTRICTED TO -
CUSTOMER DRAWING					WEIGHT -	SCALE 4:1	SHEET 1 OF 1	REV A	