



Chipsmall Limited consists of a professional team with an average of over 10 year of expertise in the distribution of electronic components. Based in Hongkong, we have already established firm and mutual-benefit business relationships with customers from,Europe,America and south Asia,supplying obsolete and hard-to-find components to meet their specific needs.

With the principle of “Quality Parts,Customers Priority,Honest Operation,and Considerate Service”,our business mainly focus on the distribution of electronic components. Line cards we deal with include Microchip,ALPS,ROHM,Xilinx,Pulse,ON,Everlight and Freescale. Main products comprise IC,Modules,Potentiometer,IC Socket,Relay,Connector.Our parts cover such applications as commercial,industrial, and automotives areas.

We are looking forward to setting up business relationship with you and hope to provide you with the best service and solution. Let us make a better world for our industry!



Contact us

Tel: +86-755-8981 8866 Fax: +86-755-8427 6832

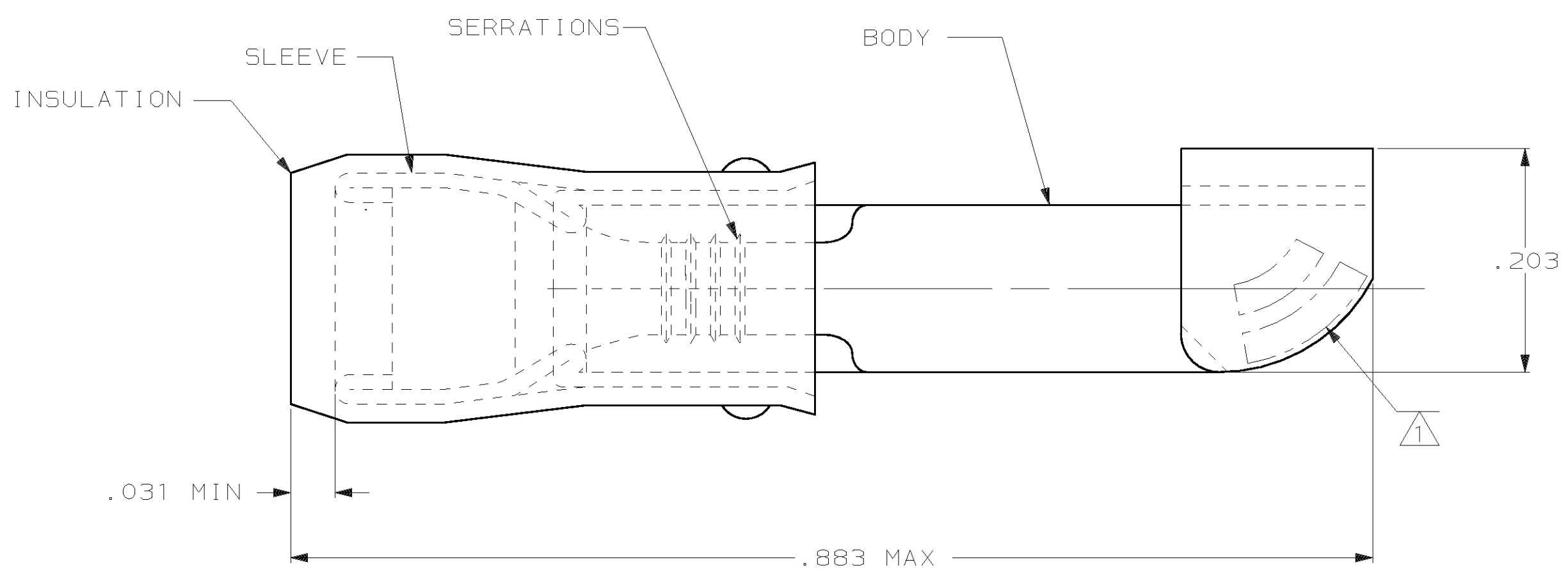
Email & Skype: info@chipsmall.com Web: www.chipsmall.com

Address: A1208, Overseas Decoration Building, #122 Zhenhua RD., Futian, Shenzhen, China



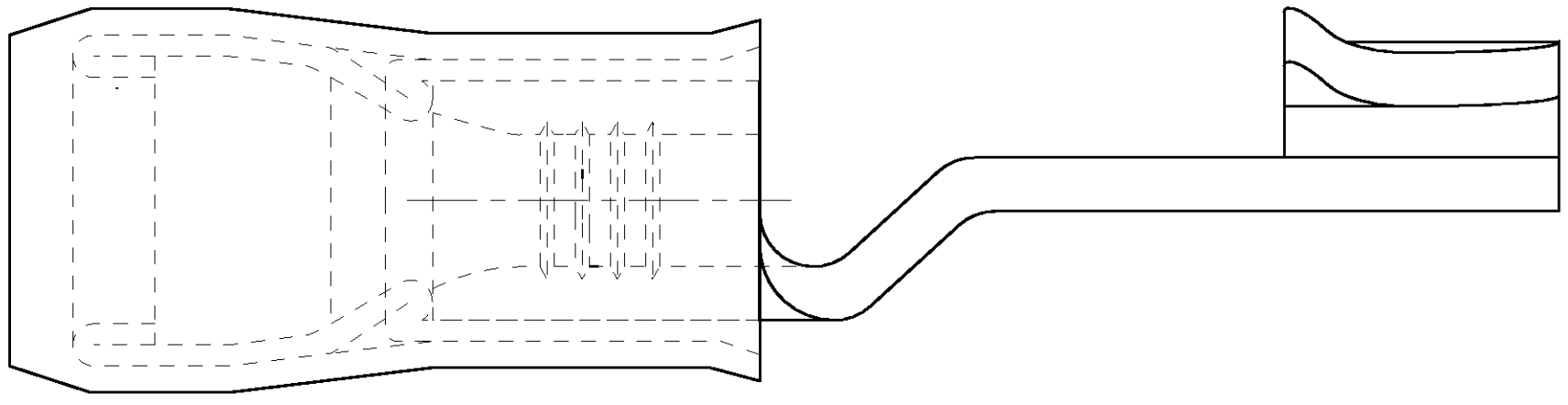
THIS DRAWING IS UNPUBLISHED. RELEASED FOR PUBLICATION ,19 .
 © COPYRIGHT 19 BY AMP INCORPORATED. ALL INTERNATIONAL RIGHTS RESERVED.

LOC		DIST		REVISIONS				DATE	APPD
ZONE	LTR	DESCRIPTION		DATE	APPD				
G	14	P	F	A	REL PER 063A-0221-02	02MAY02	JR/TM		



AMP
WIRE RANGE
 22-16 AWG
 SOLID OR STRANDED

- ① MARKED "AMP 22-18*" FOR MILITARY COMMERCIAL RANGE IS 22-16
- ② DESIGNED FOR WIRE INSULATION DIA .080-.125
- ③ TONGUE MATERIAL THK .033 MAX.
- ④ PREPRODUCTION - FASR REQ



④ 696451-1
 PART NO

AMP INCORPORATED
CUSTOMER SERVICE SYSTEMS

MAX RECOMMENDED OPERATING TEMPERATURE:
 105°C [221°F]

DO NOT SCALE PRINT. UNLESS SPECIFIED DIMENSIONS IN mm [INCHES] TOLERANCES ON :
 2 PLC DEC ± -
 3 PLC DEC ± .008
 ANGLES ± -

DR 04APR02 JR RUTH
 CHK 04APR02 T MICHIELLUTI

AMP AMP Incorporated
 Harrisburg, PA 17105-3608

FOR ADDITIONAL PRODUCT INFORMATION OR COPIES OF DRAWINGS AND TECHNICAL DOCUMENTS

PRODUCT INFORMATION CENTER
 1-800-522-6752

VOLTAGE RATING:
 300V MAX

MATERIAL
 COPPER ASTM B-152 SLEEVE, RED NYLON

APPD 04APR02 T MICHIELLUTI
 APPD 04APR02 T MICHIELLUTI

NAME
 TERMINAL, PIDG™, KNIFE DISCONNECT, WIRE SIZE: 22-16 AWG

FOR APPLICATION TOOLING INFORMATION

TOOLING ASSISTANCE CENTER
 1-800-722-1111

WIRE CROSS SECTIONAL AREA RANGE:
 0.26-1.65mm² [509-3,260] CIR MILS
 SOLID OR STRANDED

FINISH
 NICKEL PL PER ASTM B162

PRODUCT SPEC -
 APPLICATION SPEC -

SIZE CAGE CODE DRAWING NO
 C 00779 C=696451

FOR ORDER ENTRY

1-800-526-5142

THIS DRAWING IS A CONTROLLED DOCUMENT FOR AMP INCORPORATED. IT IS SUBJECT TO CHANGE AND THE CONTROLLING ENGINEERING ORGANIZATION SHOULD BE CONTACTED FOR THE LATEST REVISION.

WEIGHT -

SCALE 10:1 SHEET 1 OF 1