



Chipsmall Limited consists of a professional team with an average of over 10 year of expertise in the distribution of electronic components. Based in Hongkong, we have already established firm and mutual-benefit business relationships with customers from,Europe,America and south Asia,supplying obsolete and hard-to-find components to meet their specific needs.

With the principle of “Quality Parts,Customers Priority,Honest Operation,and Considerate Service”,our business mainly focus on the distribution of electronic components. Line cards we deal with include Microchip,ALPS,ROHM,Xilinx,Pulse,ON,Everlight and Freescale. Main products comprise IC,Modules,Potentiometer,IC Socket,Relay,Connector.Our parts cover such applications as commercial,industrial, and automotives areas.

We are looking forward to setting up business relationship with you and hope to provide you with the best service and solution. Let us make a better world for our industry!



## Contact us

Tel: +86-755-8981 8866 Fax: +86-755-8427 6832

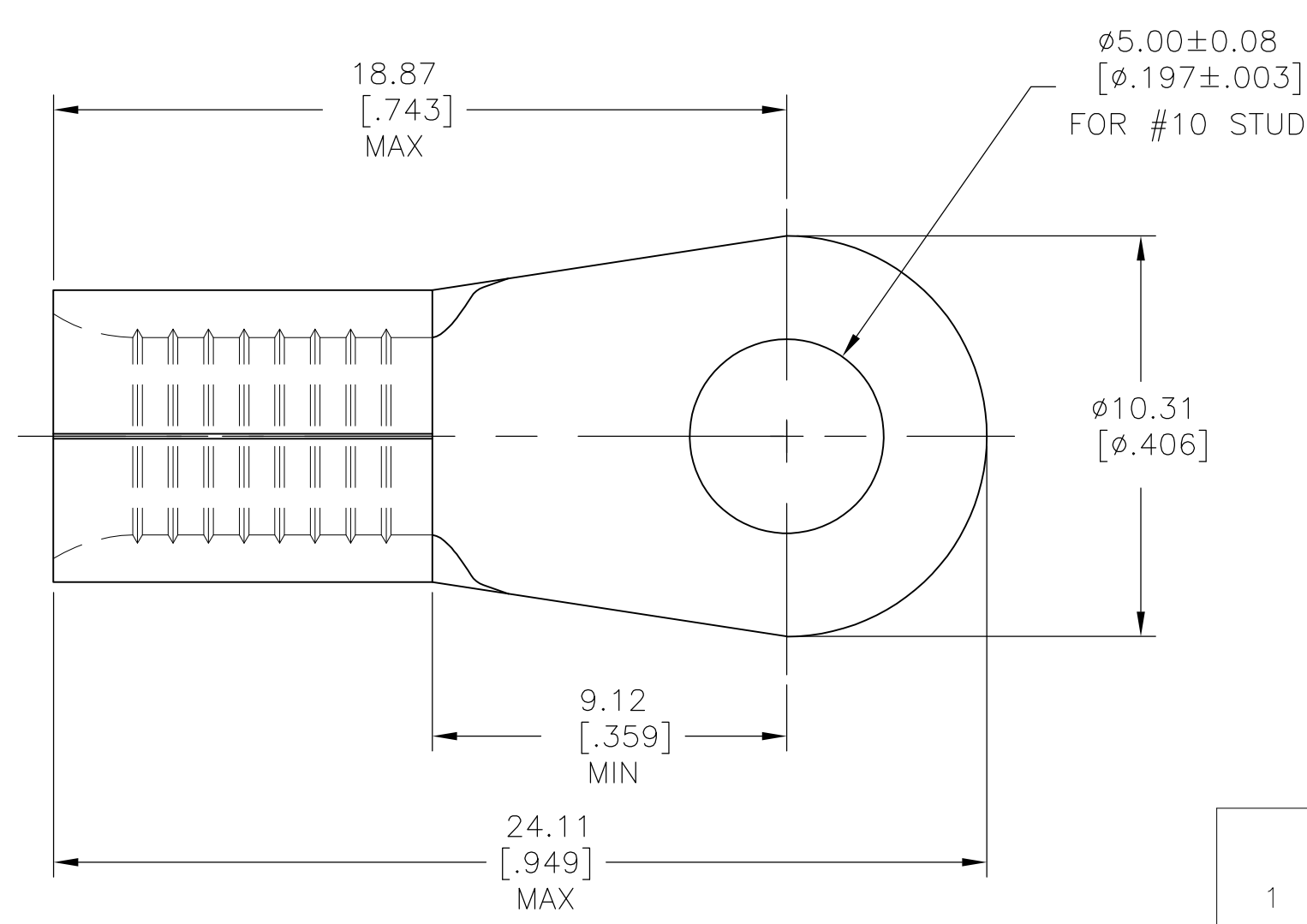
Email & Skype: info@chipsmall.com Web: www.chipsmall.com

Address: A1208, Overseas Decoration Building, #122 Zhenhua RD., Futian, Shenzhen, China



THIS DRAWING IS UNPUBLISHED. RELEASED FOR PUBLICATION  
 © COPYRIGHT - By - ALL RIGHTS RESERVED.

LOC	DIST	REVISIONS			
P	LTR	DESCRIPTION	DATE	DWN	APVD
G	86	B1	REVISED PER ECO-11-024755	13DEC11	KH DR



- 1 WIRE RANGE IS FOR #8 AWG STANDARD. WIRE CROSS SECTIONAL AREA RANGE: 13,100-20,800 CMA, STRANDED WIRE
- 2 THE TONGUE THK IS  $1.22 \pm 0.08$  [ $0.048 \pm 0.003$ ]
- 3 RECOMMENDED OPERATING TEMP  $-55^{\circ}\text{C}$  TO  $+200^{\circ}\text{C}$  FOR HEAT SHRINK TUBING

1	8-1190141-0	HIGH AND LOW TEMPERTURE CROSS LINKED FLOUROPOLYMER HEAT SHRINK TUBING 9.525[.375]MIN IDX25.400 $\pm$ 2.032[1.000 $\pm$ .080] RT555-3/8-0-SP
1	323165	TERMINAL BODY: COPPER PER ASTM B-152 ANNEALED FINISH: NICKEL PLATE .000300 MIN THK PER SAE AMS QQ-N-290
-1	PART NO	DESCRIPTION

THIS DRAWING IS A CONTROLLED DOCUMENT.		DWN JR RUTH 30JAN04	<b>STE</b> TE Connectivity													
DIMENSIONS: mm [INCHES]		CHK MJ SPICER 08APR04														
TOLERANCES UNLESS OTHERWISE SPECIFIED:		APVD MJ SPICER 08APR04	NAME													
<table border="0"> <tr><td>0 PLC</td><td><math>\pm -</math></td></tr> <tr><td>1 PLC</td><td><math>\pm -</math></td></tr> <tr><td>2 PLC</td><td><math>\pm -</math></td></tr> <tr><td>3 PLC</td><td><math>\pm 0.20</math> [.008]</td></tr> <tr><td>4 PLC</td><td><math>\pm -</math></td></tr> <tr><td>ANGLES</td><td><math>\pm 1^{\circ}</math></td></tr> </table>		0 PLC	$\pm -$	1 PLC	$\pm -$	2 PLC	$\pm -$	3 PLC	$\pm 0.20$ [.008]	4 PLC	$\pm -$	ANGLES	$\pm 1^{\circ}$	PRODUCT SPEC -	HEAT RESISTANT TERMINAL KIT	
0 PLC	$\pm -$															
1 PLC	$\pm -$															
2 PLC	$\pm -$															
3 PLC	$\pm 0.20$ [.008]															
4 PLC	$\pm -$															
ANGLES	$\pm 1^{\circ}$															
MATERIAL -		FINISH -	APPLICATION SPEC -	RESTRICTED TO -												
		WEIGHT -	SIZE A3	CAGE CODE 00779												
		DRAWING NO C-696633		RESTRICTED TO -												
		CUSTOMER DRAWING		SCALE 1:1												
		SHEET 1 OF 1		REV B1												