



Chipsmall Limited consists of a professional team with an average of over 10 year of expertise in the distribution of electronic components. Based in Hongkong, we have already established firm and mutual-benefit business relationships with customers from,Europe,America and south Asia,supplying obsolete and hard-to-find components to meet their specific needs.

With the principle of “Quality Parts,Customers Priority,Honest Operation,and Considerate Service”,our business mainly focus on the distribution of electronic components. Line cards we deal with include Microchip,ALPS,ROHM,Xilinx,Pulse,ON,Everlight and Freescale. Main products comprise IC,Modules,Potentiometer,IC Socket,Relay,Connector.Our parts cover such applications as commercial,industrial, and automotives areas.

We are looking forward to setting up business relationship with you and hope to provide you with the best service and solution. Let us make a better world for our industry!



Contact us

Tel: +86-755-8981 8866 Fax: +86-755-8427 6832

Email & Skype: info@chipsmall.com Web: www.chipsmall.com

Address: A1208, Overseas Decoration Building, #122 Zhenhua RD., Futian, Shenzhen, China

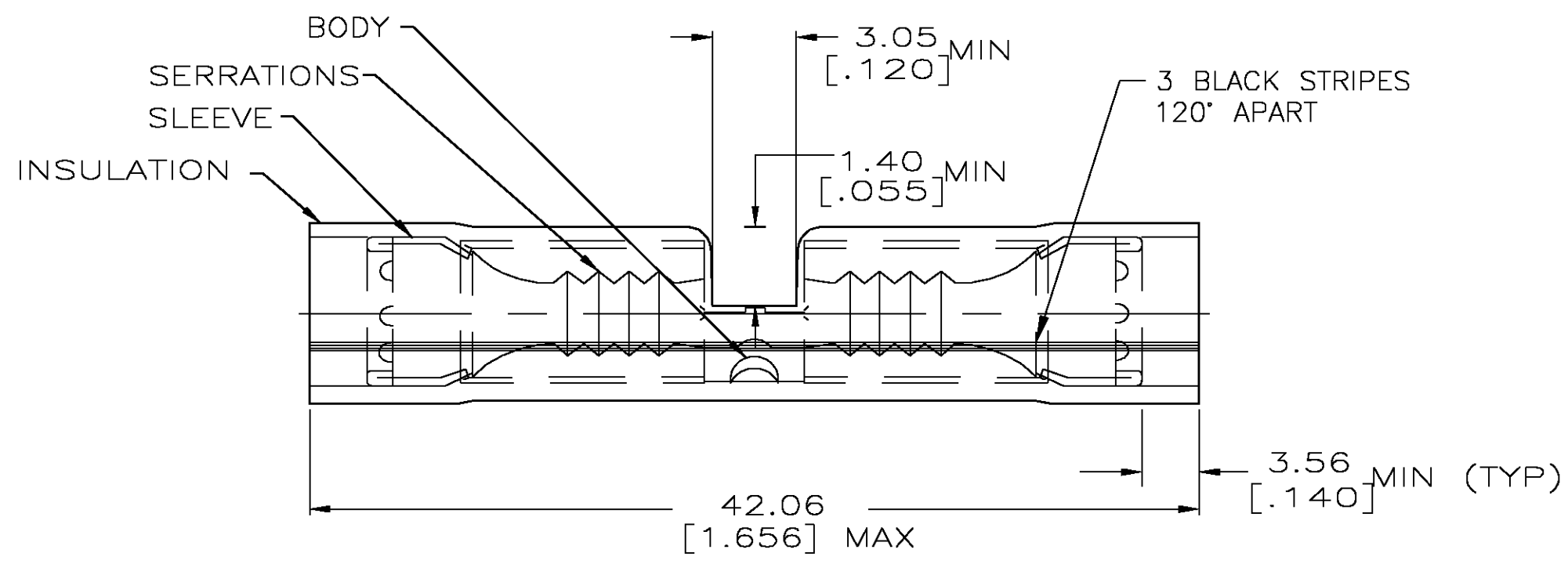


THIS DRAWING IS UNPUBLISHED. RELEASED FOR PUBLICATION
 © COPYRIGHT BY TYCO ELECTRONICS CORPORATION. ALL RIGHTS RESERVED.

LOC	DIST	REVISIONS			
P	LTR	DESCRIPTION	DATE	DWN	APVD
G	14	B	REL PER 0G3A-0928-04	18NOV04	JR TM

AMP
WIRE RANGE

16-14 AWG
STRANDED



- 1 WIRE INSULATION DIA 3.81 [.150] TO 6.35 [.250].
- △2 BODY & SLEEVE: COPPER PER ASTM B152 INSULATION : NYLON
- △3 BODY & SLEEVE: TIN PLATE PER ASTM B545 INSULATION : YELLOW
- △4 PREPRODUCTION - FASR REQUIRED

50	LOOSE PIECE	△4 696730-1
QTY	PACKAGE TYPE	PART NUMBER

AMP INCORPORATED
CUSTOMER SERVICE SYSTEMS

FOR ADDITIONAL PRODUCT INFORMATION OR COPIES OF DRAWINGS AND TECHNICAL DOCUMENTS	PRODUCT INFORMATION CENTER 1-800-522-6752
FOR APPLICATION TOOLING INFORMATION	TOOLING ASSISTANCE CENTER 1-800-722-1111
FOR ORDER ENTRY	1-800-526-5142

MAX RECOMMENDED OPERATING TEMPERATURE:
105° C

VOLTAGE RATING:
600V MAX
1000V MAX (FIXTURE OR SIGN)

CIRCULAR MIL AREA:
1.04-2.62mm² [2,050-5,180]
STRANDED

THIS DRAWING IS A CONTROLLED DOCUMENT.

DIMENSIONS:	TOLERANCES UNLESS OTHERWISE SPECIFIED:
INCHES	
0 PLC	± -
1 PLC	± -
2 PLC	± 0.20 [.008]
3 PLC	± -
4 PLC	± -
ANGLES	± -

MATERIAL - △2 FINISH - △3

DWN JR RUTH 04OCT04	tyco Electronics	Tyco Electronics Corporation Harrisburg, PA 17105	
CHK T MICHIELUTTI 04OCT04		NAME	
APVD T MICHIELUTTI 04OCT04	PRODUCT SPEC		SPLICE, BUTT, PIDG, WIRE SIZE: 16-14HD AWG
APPLICATION SPEC	SIZE	CAGE CODE	DRAWING NO
WEIGHT -	A3	00779	C-696730
CUSTOMER DRAWING	SCALE 4:1	SHEET 1 OF 1	REV B