



Chipsmall Limited consists of a professional team with an average of over 10 year of expertise in the distribution of electronic components. Based in Hongkong, we have already established firm and mutual-benefit business relationships with customers from,Europe,America and south Asia,supplying obsolete and hard-to-find components to meet their specific needs.

With the principle of “Quality Parts,Customers Priority,Honest Operation,and Considerate Service”,our business mainly focus on the distribution of electronic components. Line cards we deal with include Microchip,ALPS,ROHM,Xilinx,Pulse,ON,Everlight and Freescale. Main products comprise IC,Modules,Potentiometer,IC Socket,Relay,Connector.Our parts cover such applications as commercial,industrial, and automotives areas.

We are looking forward to setting up business relationship with you and hope to provide you with the best service and solution. Let us make a better world for our industry!



Contact us

Tel: +86-755-8981 8866 Fax: +86-755-8427 6832

Email & Skype: info@chipsmall.com Web: www.chipsmall.com

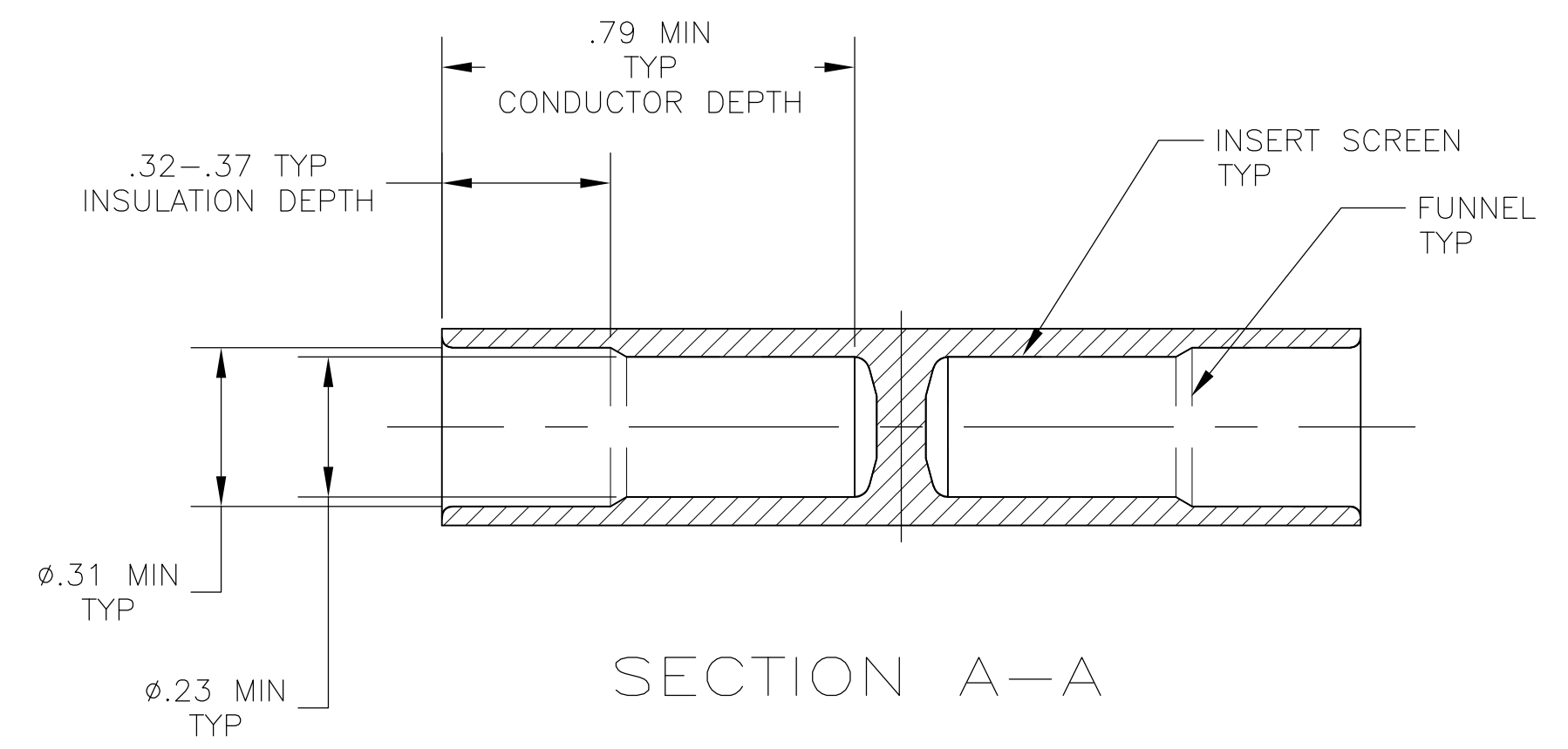
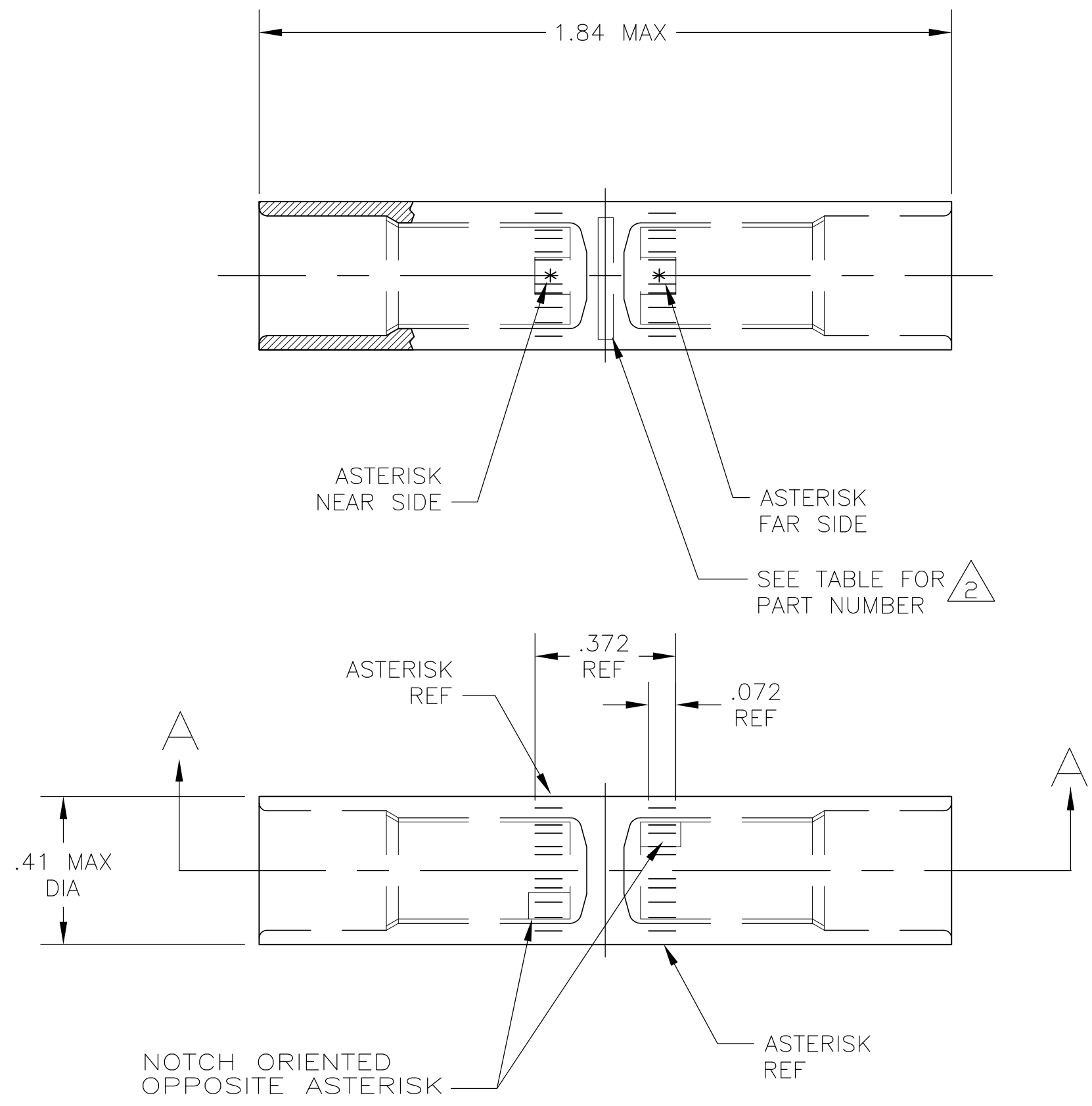
Address: A1208, Overseas Decoration Building, #122 Zhenhua RD., Futian, Shenzhen, China



THIS DRAWING IS UNPUBLISHED. RELEASED FOR PUBLICATION
 © COPYRIGHT - By - ALL RIGHTS RESERVED.

LOC	DIST	REVISIONS			
P	LTR	DESCRIPTION	DATE	DWN	APVD
G	86				
D		REV PER ECO-11-017213	12DEC11	PY	BW

- 1 WIRE INSULATION: .260-.298 DIA
- 2 STAMP " 696847-x AMP 6AL-8CU 13-78" SIZE AND LOCATION APPROX AS SHOWN



BODY: COPPER ASTM-B187 ANNEALED TIN PL PER ASTM B-545 .000150 MIN THK INSERT & FUNNEL: BRASS ASTM B36 NICKEL PL SAE AMS QQ-N-290A, DATED JULY 2000, 0.00254 [.000100] MIN THK	696847-1
MATERIAL & FINISH	PART NO.

THIS DRAWING IS A CONTROLLED DOCUMENT.		DWN JR RUTH 08NOV06	TE Connectivity	
DIMENSIONS: INCHES		CHK MS FEHER 08NOV06	NAME	
TOLERANCES UNLESS OTHERWISE SPECIFIED:		APVD MJ SPICER 08NOV06	WIRE SPLICE, BUTT, SEALED COPALUM 6 AL - 8CU	
0 PLC ± - 1 PLC ± - 2 PLC ± .008 3 PLC ± - 4 PLC ± - ANGLES ± -		PRODUCT SPEC -	SIZE A2	RESTRICTED TO
MATERIAL SEE TABLE	FINISH SEE TABLE	APPLICATION SPEC -	CAGE CODE 00779	DRAWING NO 696847
CUSTOMER DRAWING		WEIGHT - GRAMS	SCALE 3:1	SHEET 1 of 1
				REV D