



Chipsmall Limited consists of a professional team with an average of over 10 year of expertise in the distribution of electronic components. Based in Hongkong, we have already established firm and mutual-benefit business relationships with customers from,Europe,America and south Asia,supplying obsolete and hard-to-find components to meet their specific needs.

With the principle of “Quality Parts,Customers Priority,Honest Operation,and Considerate Service”,our business mainly focus on the distribution of electronic components. Line cards we deal with include Microchip,ALPS,ROHM,Xilinx,Pulse,ON,Everlight and Freescale. Main products comprise IC,Modules,Potentiometer,IC Socket,Relay,Connector.Our parts cover such applications as commercial,industrial, and automotives areas.

We are looking forward to setting up business relationship with you and hope to provide you with the best service and solution. Let us make a better world for our industry!



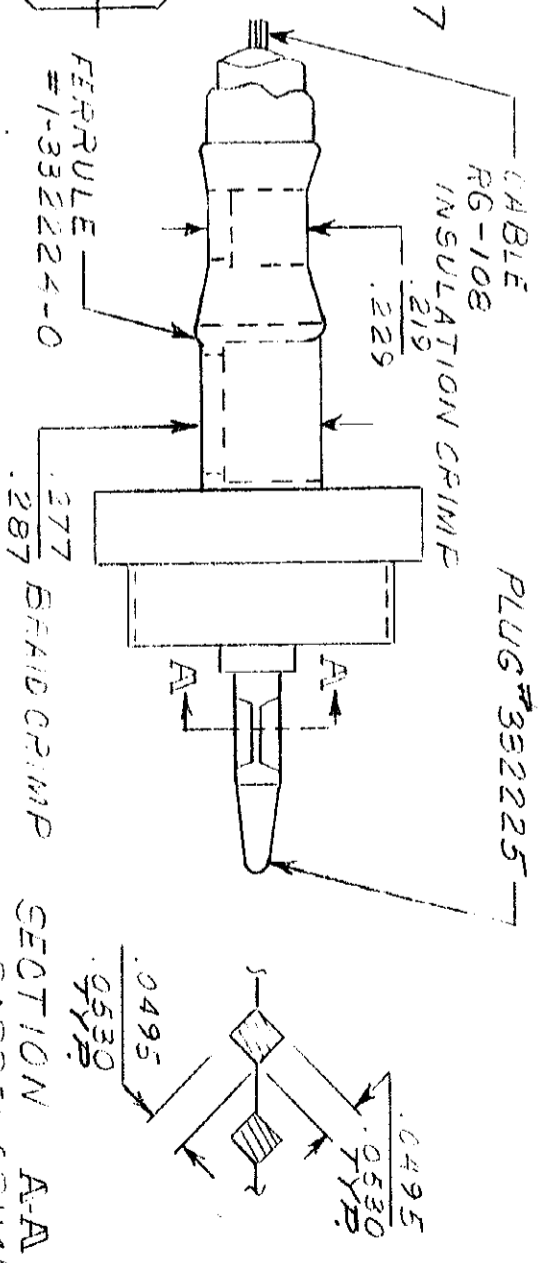
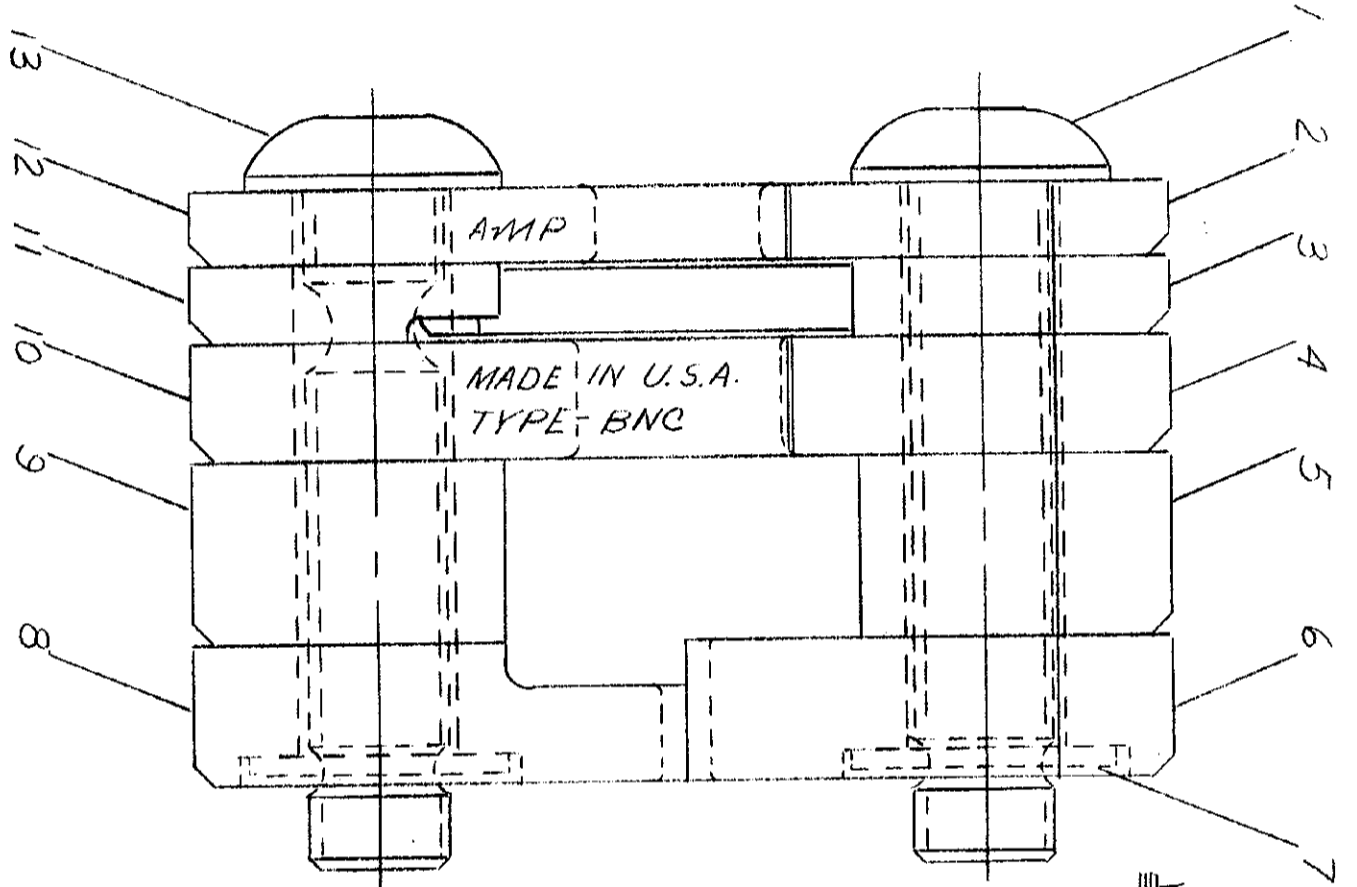
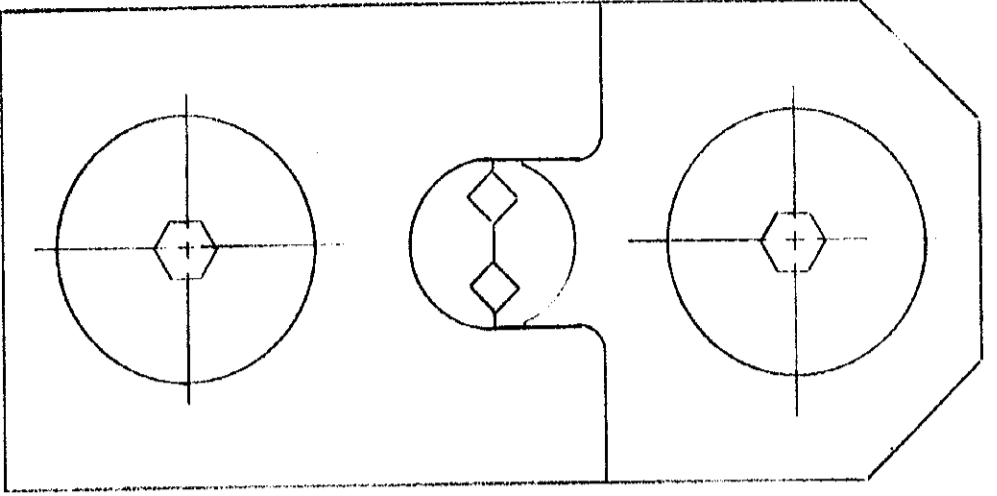
Contact us

Tel: +86-755-8981 8866 Fax: +86-755-8427 6832

Email & Skype: info@chipsmall.com Web: www.chipsmall.com

Address: A1208, Overseas Decoration Building, #122 Zhenhua RD., Futian, Shenzhen, China





THE CRIMP DIMENSIONS APPLY ONLY TO THE ABOVE COMBINATIONS ON A CRIMPED PRODUCT.

METHOD OF GAGING CRIMP DIMS.

ITEM NO	QTY	DESCRIPTION	REMARKS
1	1	59590-2	SCREW-SPECIAL
2	1	1-306540-7	INDENTER-INSULATION
3	1	59589-3	SPACER
4	1	1-306542-3	INDENTER-BRAID
5	1	306192-8	SPACER-LOWER
6	1	306774	INSERT-BARREL, LOWER
7	2	1-21046-3	RING-RETAINING
8	1	306773	INSERT-BARREL, UPPER
9	1	1-306191-1	SPACER-UPPER
10	1	1-306541-3	ANVIL-BRAID
11	1	59547-3	EJECTOR
12	1	1-306539-7	ANVIL-INSULATION
13	1	1-306131-0	SCREW-SPECIAL

PRINT DIST

DIMENSIONS IN INCHES. DO NOT SCALE PRINT

AMP 1253 REV 7/68 8

7

6

5

4

3

2

1

REVISION RECORD

LTR	REVISION RECORD	DR	CHK	DATE
A	REVISED	RS		8-7

NUMBER 69708

DESCRIPTION

69708

DR 01-14-66

CHK 01-14-66

DE RG-108

WIRE RANGE - INSULATION

SCALE 4-1

TOLERANCE EXCEPT AS NOTED ± .015

CLASS BNC

TYPE BNC

LOC M

NO 69708

REV A

MATERIAL AND FINISH

AMP INCORPORATED HARRISBURG, PENNA.

CUSTOMER COPY REFERENCE ONLY

DIE ASSEMBLY