



Chipsmall Limited consists of a professional team with an average of over 10 year of expertise in the distribution of electronic components. Based in Hongkong, we have already established firm and mutual-benefit business relationships with customers from,Europe,America and south Asia,supplying obsolete and hard-to-find components to meet their specific needs.

With the principle of "Quality Parts,Customers Priority,Honest Operation,and Considerate Service",our business mainly focus on the distribution of electronic components. Line cards we deal with include Microchip,ALPS,ROHM,Xilinx,Pulse,ON,Everlight and Freescale. Main products comprise IC,Modules,Potentiometer,IC Socket,Relay,Connector.Our parts cover such applications as commercial,industrial, and automotives areas.

We are looking forward to setting up business relationship with you and hope to provide you with the best service and solution. Let us make a better world for our industry!



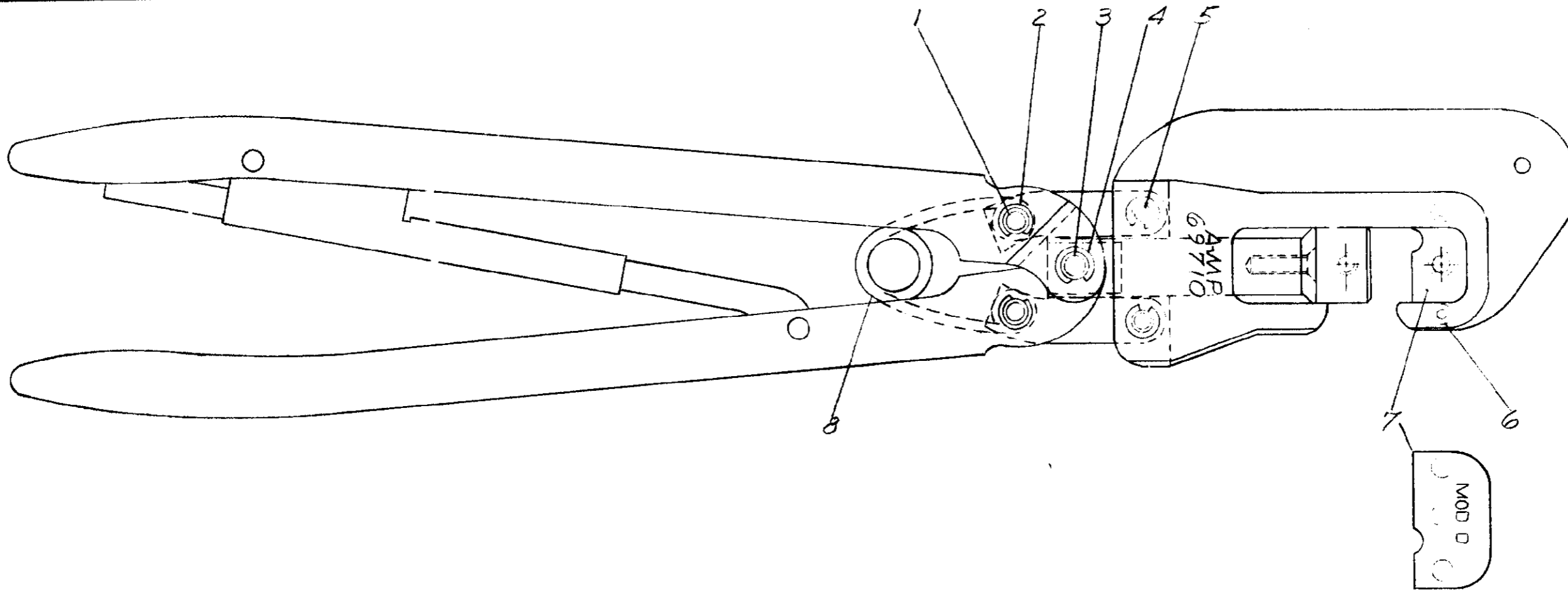
## Contact us

Tel: +86-755-8981 8866 Fax: +86-755-8427 6832

Email & Skype: info@chipsmall.com Web: www.chipsmall.com

Address: A1208, Overseas Decoration Building, #122 Zhenhua RD., Futian, Shenzhen, China





SUPERSEDED BY 15,2095

1	2-304668-9	SPRING	8
1	304400-5	PLATE DIE HOLDER	7
2	1-21002-6	SCREW	6
2	305340	PIN-RETAINING	5
2	21045-6	RING-RETAINING	4
1	300389	PIN-RETAINING	3
8	21045-3	RING-RETAINING	2
2	300388	PIN-RETAINING	1

For replacement of parts other than listed, Tool should be returned to our Factory to insure proper Certi-Crimp adjustment.

REVISION RECORD				REQUIRED PER ASSEMBLY		MATERIAL AND FINISH		CUSTOMER COPY REFERENCE ONLY	
D2	REVISION RECORD	RK	HMR	DATE	NUMBER	NAME	REMARKS	ITEM NO	
D2	REVISED PER ECO-11-005294	RK	HMR	14APR 11					
LTR		DR	CHK	DATE					
				69710		B. Skerfeld 10-22-69		TE Connectivity	
				69710		E. J. [unclear] 10-22-69		CLASS +	
						WIRE - RANGE - INSULATION 1-1-1		TYPE +	
						TOLERANCE EXCEPT AS NOTED ± .015 ± 1°		SCALE 1-1	
						REL E. J. [unclear] 10-22-69		LOC M B NO 69710 REV D2	
						NAME		HAND TOOL ASSEMBLY - MOD-D	

DIMENSIONS IN INCHES. DO NOT SCALE PRINT.

PRINT DIST. (5)

8 | 7 | 6 | 5 | 4 | 3 | 2 | 1