



Chipsmall Limited consists of a professional team with an average of over 10 year of expertise in the distribution of electronic components. Based in Hongkong, we have already established firm and mutual-benefit business relationships with customers from,Europe,America and south Asia,supplying obsolete and hard-to-find components to meet their specific needs.

With the principle of “Quality Parts,Customers Priority,Honest Operation,and Considerate Service”,our business mainly focus on the distribution of electronic components. Line cards we deal with include Microchip,ALPS,ROHM,Xilinx,Pulse,ON,Everlight and Freescale. Main products comprise IC,Modules,Potentiometer,IC Socket,Relay,Connector.Our parts cover such applications as commercial,industrial, and automotives areas.

We are looking forward to setting up business relationship with you and hope to provide you with the best service and solution. Let us make a better world for our industry!



Contact us

Tel: +86-755-8981 8866 Fax: +86-755-8427 6832

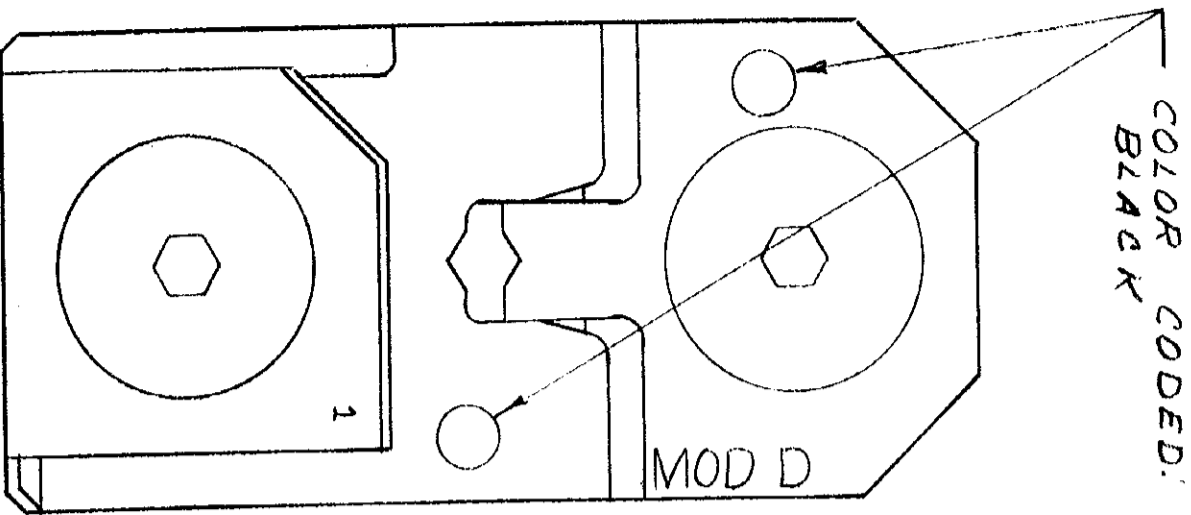
Email & Skype: info@chipsmall.com Web: www.chipsmall.com

Address: A1208, Overseas Decoration Building, #122 Zhenhua RD., Futian, Shenzhen, China

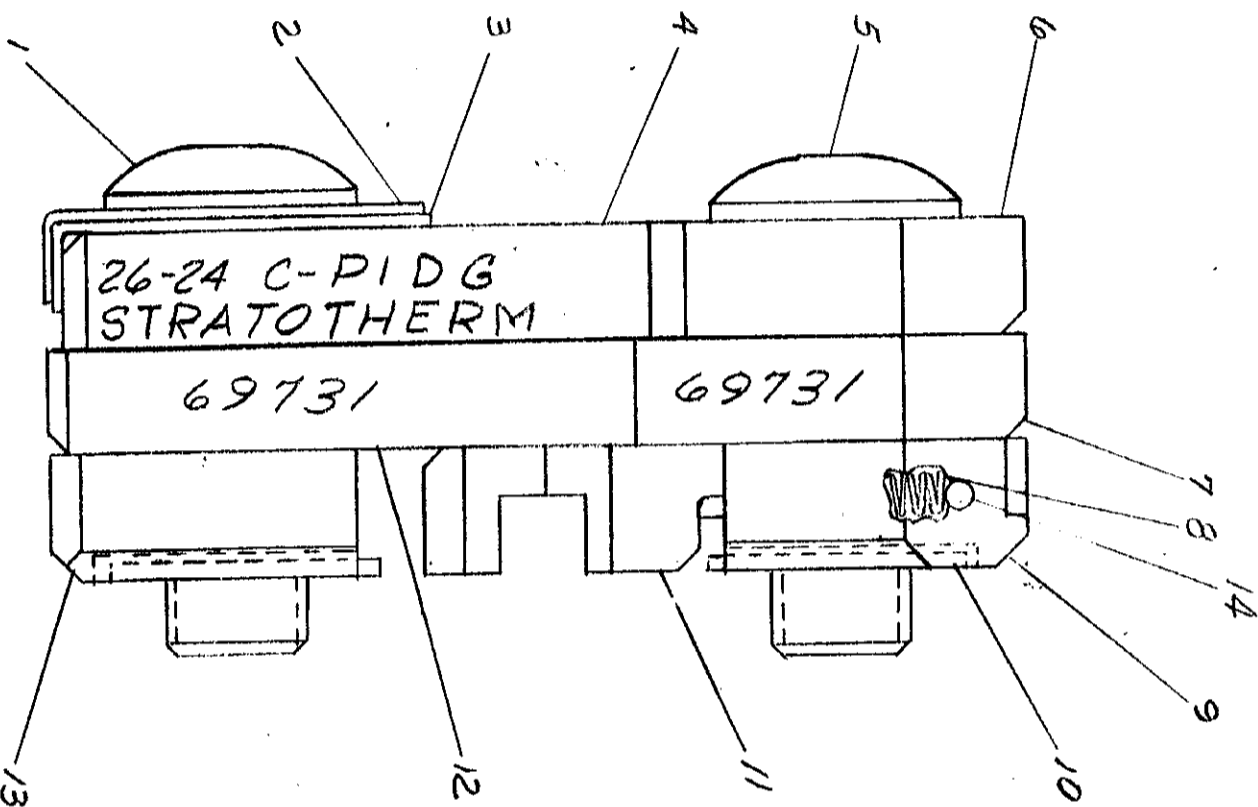


PRINT DIST
3

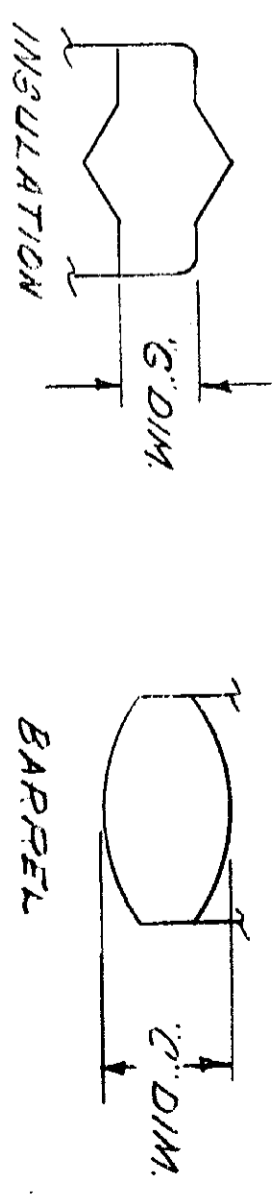
DIMENSIONS IN INCHES. DO NOT SCALE PRINT



COLOR CODED:
BLACK



SUPERSEDED BY 1.5.1632



ENLARGED VIEW OF CRIMPS

"G" DIM AT POSITION #1	"C" DIM
GO	.090
NO GO	.094

PIDG GAGE DIMENSIONS APPLY WHEN TOOL IS
BOTTOMED BUT NOT UNDER PRESSURE.

2	21949-1	PIN - SPIRCL	14
1	2-305832-8	SPACER LOWER	13
1	1-45907-5	INDENTER	12
1	59737-1	LOCATOR	11
2	1-21046-3	RING RETAINING	10
1	2-305832-9	SPACER-LOCATOR HOUSING	9
2	7-59683-4	SPRING	8
1	3-45904-1	ANVIL	7
1	2-45933-8	ANVIL INSULATION	6
1	3-306131-3	SCREW	5
1	2-45931-7	INDENTER INSULATION	4
1	1-306027-6	SPACER INSULATION ADJ.	3
1	1-306027-5	SPACER INSULATION ADJ.	2
1	1-306131-1	SCREW	1

LTR	REVISION RECORD	DR	CHK	DATE
D	REVISION	DR	CHK	DATE
D	REVISD BY 1.5.1632	DR	CHK	DATE
D	REVISD	DR	CHK	DATE

NUMBER	DESCRIPTION
69731	
69731	

REQUIRED PER ASSEMBLY

©1969 BY AMP INCORPORATED. ALL RIGHTS RESERVED.
AMP PRODUCTS COVERED BY PATENTS AND/OR PATENTS PENDING.

MATERIAL AND FINISH

WIRE - RANGE - INSULATION
20-29
TOLERANCE EXCEPT AS NOTED ± .015

SCALE 4-1

LOC M

NO B

REV D1

CLASS 1

TYPE C-PIDG STRATOTHERM

AMP INCORPORATED
HARRISBURG, PENNA.

DIE ASSEMBLY MOD D

A

B

C

D